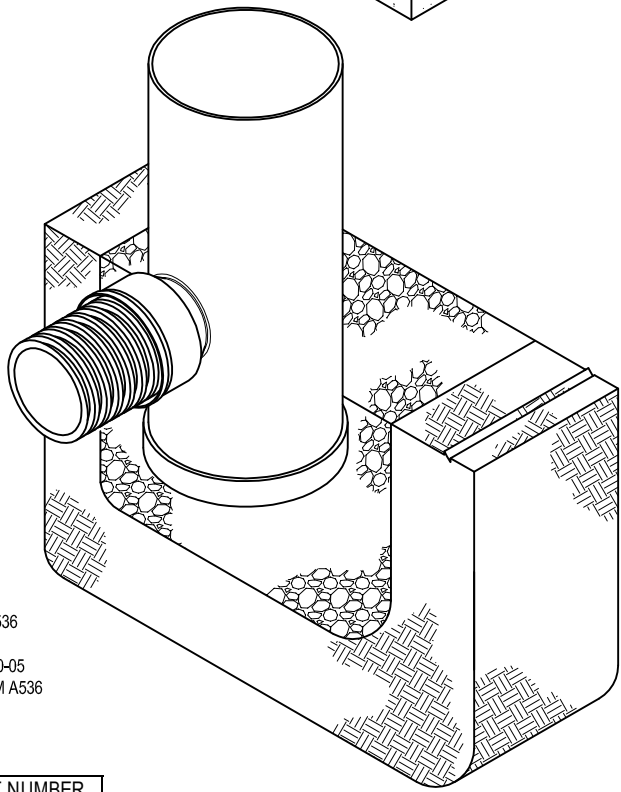
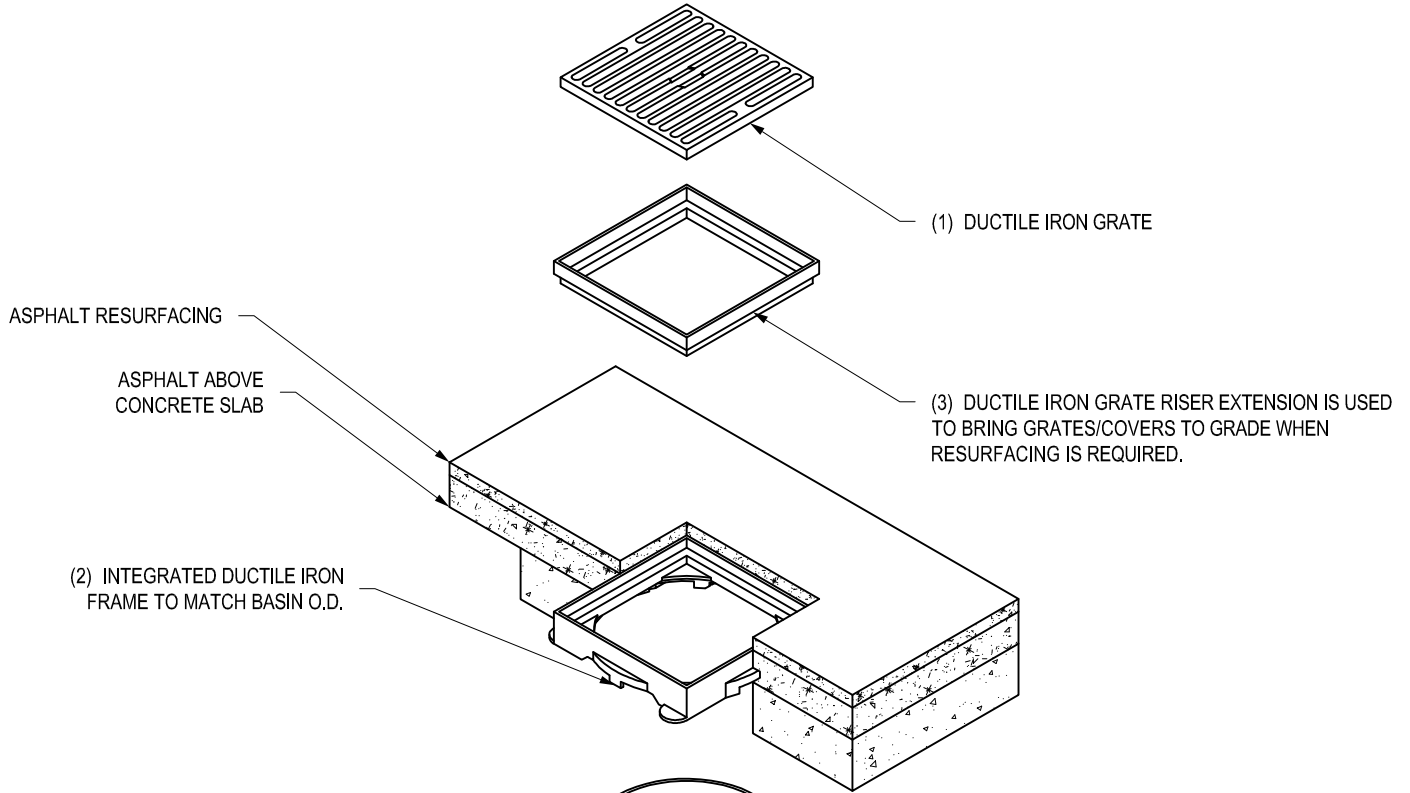


ROAD & HIGHWAY GRATE RISER EXTENSION



- 1 - GRATES/SOLID COVERS SHALL BE DUCTILE IRON PER ASTM A536 GRADE 70-50-05
- 2 - FRAMES SHALL BE DUCTILE IRON PER ASTM A536 GRADE 70-50-05
- 3 - GRATE RISER EXTENSIONS SHALL BE DUCTILE IRON PER ASTM A536 GRADE 70-50-05
- 4 - DIMENSIONS ARE IN INCHES

FRAME SIZE	EXTENSION HEIGHT	PART NUMBER
2' X 2' ROAD & HIGHWAY	2.00	3299CGSQER200
2' X 3' ROAD & HIGHWAY	2.00	3299CGREER200

THIS PRINT DISCLOSES SUBJECT MATTER IN WHICH NYLOPLAST HAS PROPRIETARY RIGHTS. THE RECEIPT OR POSSESSION OF THIS PRINT DOES NOT CONFER, TRANSFER, OR LICENSE THE USE OF THE DESIGN OR TECHNICAL INFORMATION SHOWN HEREIN REPRODUCTION OF THIS PRINT OR ANY INFORMATION CONTAINED HEREIN, OR MANUFACTURE OF ANY ARTICLE HEREFROM, FOR THE DISCLOSURE TO OTHERS IS FORBIDDEN, EXCEPT BY SPECIFIC WRITTEN PERMISSION FROM NYLOPLAST.

©2013 NYLOPLAST

DRAWN BY	EBC	MATERIAL			
DATE	03-25-10				
APPD BY	CCA	PROJECT NO./NAME			
DATE	09-05-13				
DWG SIZE	A	SCALE	1:30	SHEET	1 OF 1



ADS
Nyloplast

3130 VERONA AVE
BUFORD, GA 30518
PHN (770) 932-2443
FAX (770) 932-2490
www.nyloplast-us.com

TITLE	ROAD & HIGHWAY GRATE RISER EXTENSION QUICK SPEC INSTALLATION DETAIL				
DWG NO.	7001-110-398	REV	B		