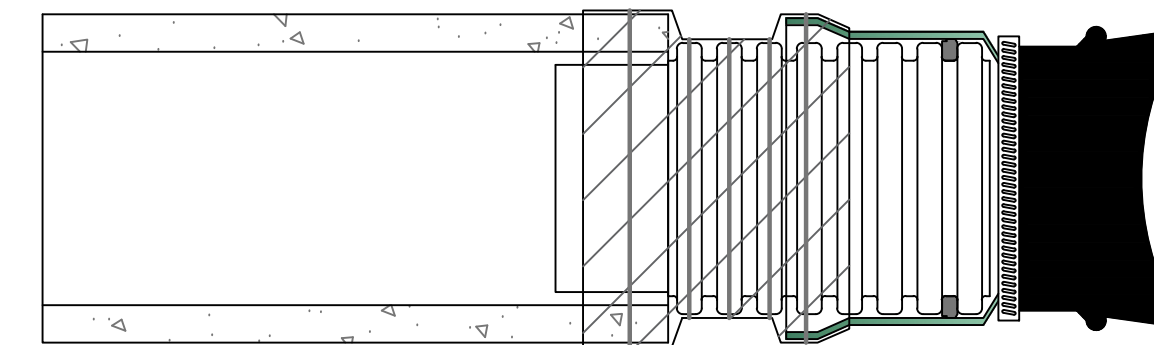
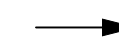
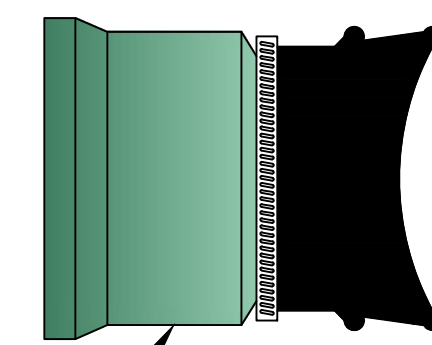
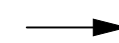
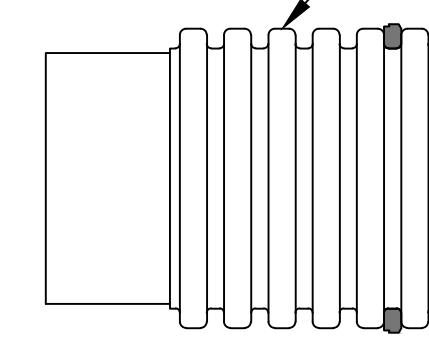
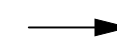
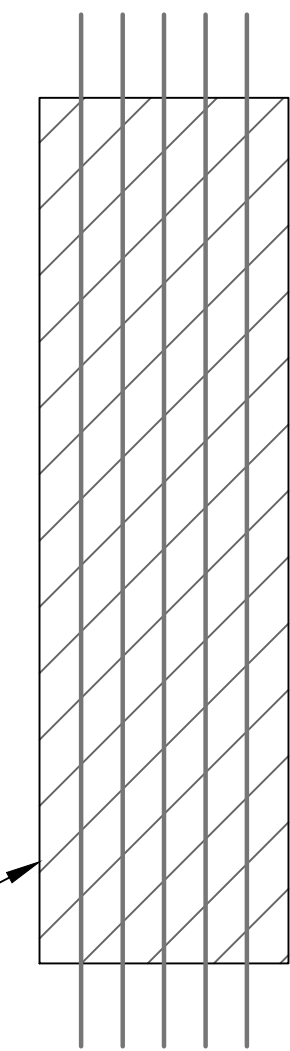
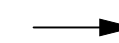
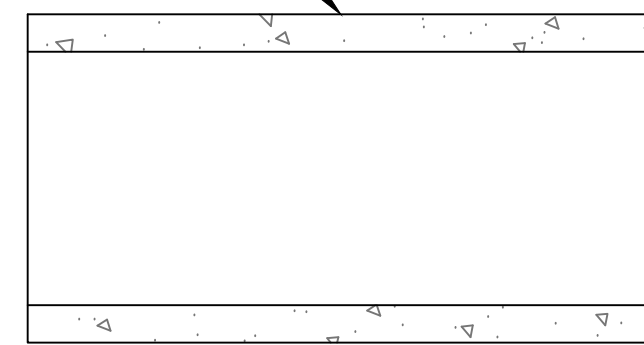


INSERTA TEE® FITTING FOR DISSIMILAR PIPE APPLICATIONS

12" - 24" dissimilar pipe
(RCP/CMP, etc.)

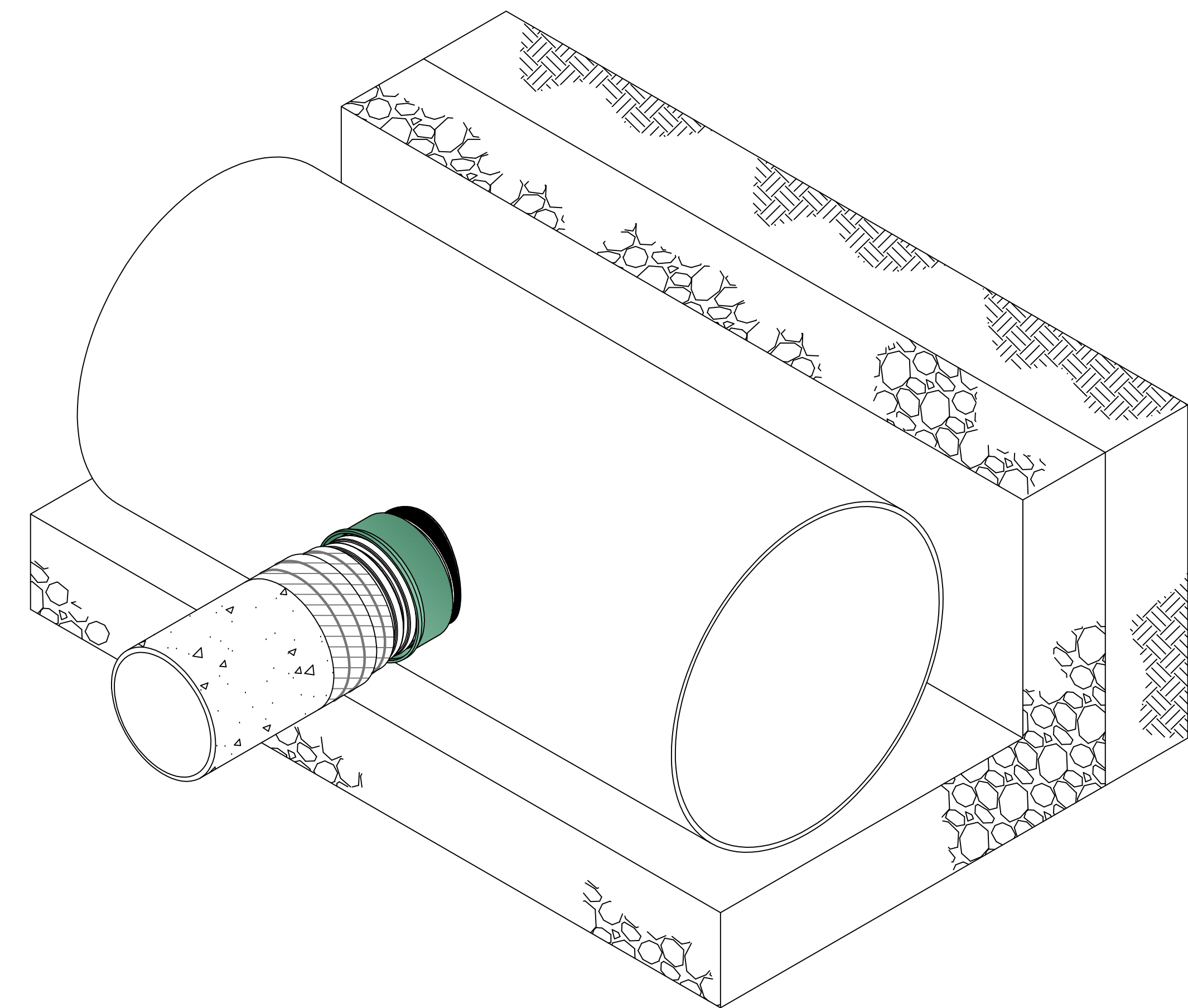
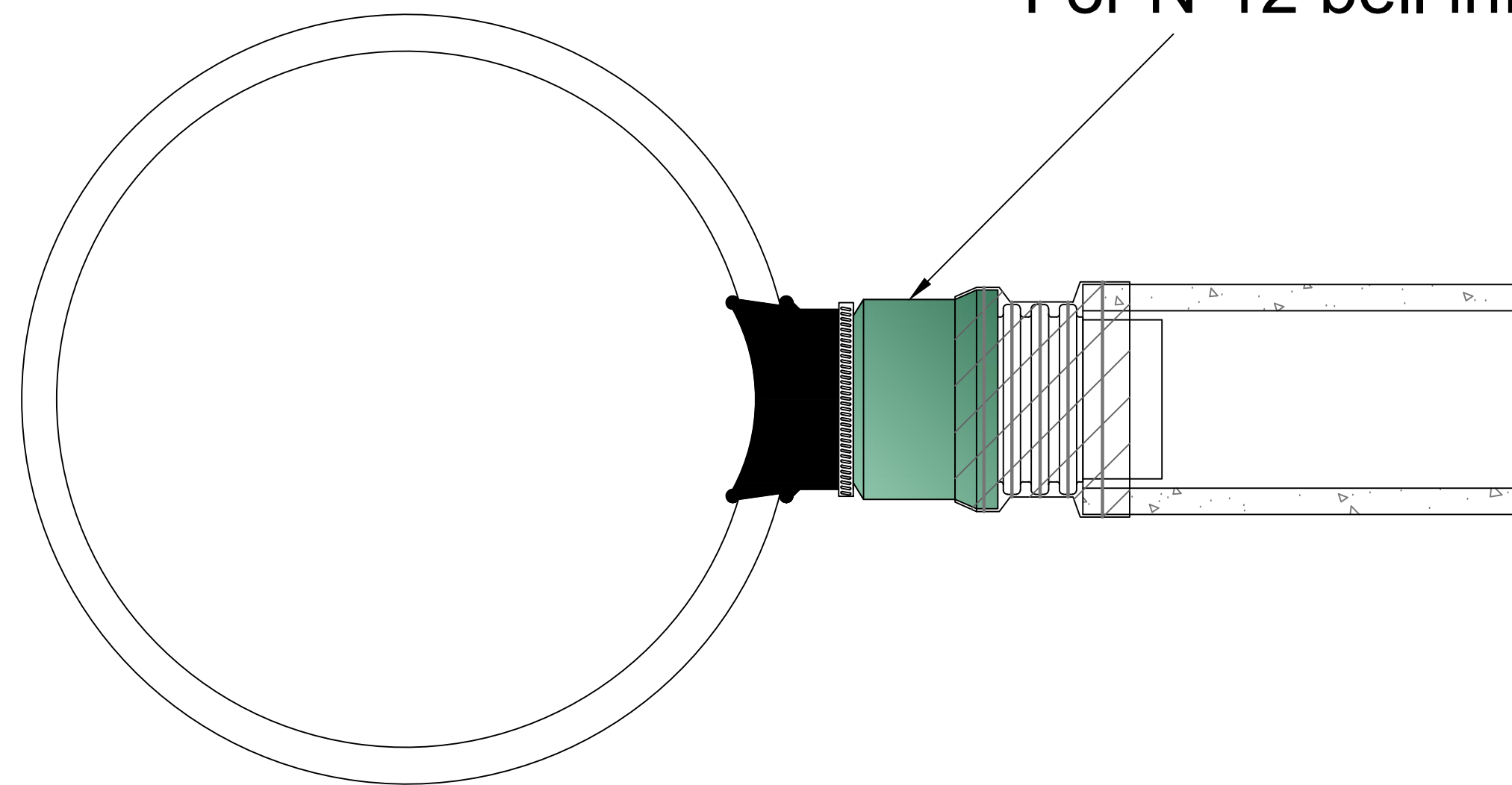


ADS N-12 Dual Wall dissimilar materials adapter
(Part #'s 1221AN - 2421AN)

ADS Inserta Tee Fitting

Double wide MarMac coupler
to be wrapped around connection
(Part #'s 1267RCD - 2467RCD)
-Refer to MarMac installation guide

Hub specific details available.
-For N-12 bell info, refer to STD-1105



NOTE: FOR INSTALLATION INSTRUCTIONS, REFER TO DETAIL STD-1100. FOR PROTRUSION INFORMATION, REFER TO DETAIL STD-1101. FOR HOLE SAW INFORMATION, REFER TO DETAIL STD-1102.

ADVANCED DRAINAGE SYSTEMS, INC. ("ADS") HAS PREPARED THIS DETAIL BASED ON INFORMATION PROVIDED TO ADS. THIS DRAWING IS INTENDED TO DEPICT THE COMPONENTS AS REQUESTED. ADS HAS NOT PERFORMED ANY ENGINEERING OR DESIGN SERVICES FOR THIS PROJECT, NOR HAS ADS INDEPENDENTLY VERIFIED THE INFORMATION SUPPLIED. THE INSTALLATION DETAILS PROVIDED HEREIN ARE GENERAL RECOMMENDATIONS AND ARE NOT SPECIFIC FOR THIS PROJECT. THE DESIGN ENGINEER SHALL REVIEW THESE DETAILS PRIOR TO CONSTRUCTION. IT IS THE DESIGN ENGINEERS RESPONSIBILITY TO ENSURE THE DETAILS PROVIDED HEREIN MEETS OR EXCEEDS THE APPLICABLE NATIONAL, STATE, OR LOCAL REQUIREMENTS AND TO ENSURE THAT THE DETAILS PROVIDED HEREIN ARE ACCEPTABLE FOR THIS PROJECT.

INSERTA TEE FOR
DISSIMILAR PIPE

DRAWING NUMBER STD-1124



4640 TRUEMAN BLVD
HILLIARD, OH 43026

DRAWN BY:	BSW
DATE:	10/14/24
OK'S BY:	ENG
SCALE:	NTS
SHEET:	1