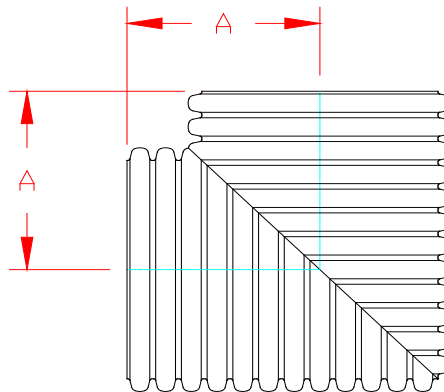


HP STORM DUAL WALL FABRICATED "SOIL TIGHT" "PLAIN END"
 90° MANIFOLD BEND 36" - 60" DIAMETER

PART #	PIPE SIZE	A
3698ANP	36 in (900 mm)	31.6 in (801 mm)
4298ANP	42 in (1050 mm)	34.0 in (863 mm)
4898ANP	48 in (1200 mm)	39.5 in (1003 mm)
6098ANP	60 in (1500 mm)	45.4 in (1152 mm)



NOTE: ALL FITTINGS DIMENSIONS ARE FOR REFERENCE ONLY



DRAWING #:	13150	
DRAWN BY:	TJR	10/13/2016
APPROVED BY:		
REVISIONS:		