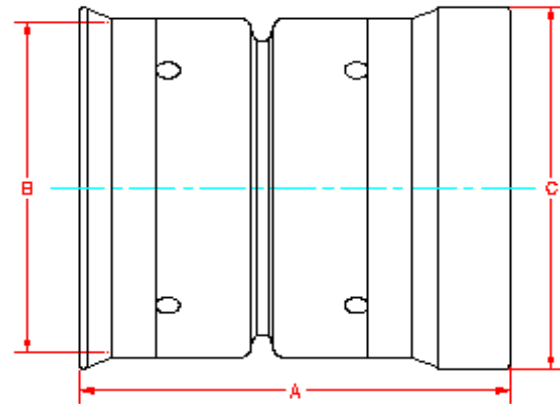


DUAL WALL SNAP END CAP
4" - 10" DIAMETER

PART #	PIPE SIZE	A	B	C
0667AA	6 in (150 mm)	8.6 in (218 mm)	7.0 in (177 mm)	7.6 in (194 mm)
0867AA	8 in (200 mm)	9.6 in (245 mm)	9.2 in (233 mm)	10.1 in (257 mm)
1067AA	10 in (250 mm)	10.8 in (273 mm)	11.6 in (294 mm)	12.1 in (308 mm)



NOTE: ALL FITTINGS DIMENSIONS ARE FOR REFERENCE ONLY

© 2023 Advanced Drainage Systems, Inc.



DRAWING #:	2115	
DRAWN BY:	JCB	09.05.06
APPROVED BY:	JCB	07.09.07
REVISIONS:	JCB	07.09.07