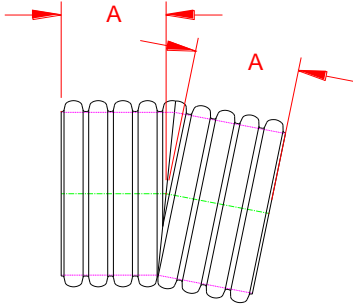


**HP STORM DUAL WALL FABRICATED 11.25° BENDS  
12" - 60" DIAMETER (PLAIN END)**

| PART #  | PIPE SIZE          | A                   | JOINT |
|---------|--------------------|---------------------|-------|
| 1291ANP | 12 in<br>(300 mm)  | 7.9 in<br>(201 mm)  | ST    |
| 1591ANP | 15 in<br>(375 mm)  | 11.0 in<br>(279 mm) | ST    |
| 1891ANP | 18 in<br>(450 mm)  | 10.9 in<br>(277 mm) | ST    |
| 2491ANP | 24 in<br>(600 mm)  | 14.2 in<br>(361 mm) | ST    |
| 3091ANP | 30 in<br>(750 mm)  | 17.9 in<br>(455 mm) | ST    |
| 3691ANP | 36 in<br>(900 mm)  | 17.1 in<br>(434 mm) | ST    |
| 4291ANP | 42 in<br>(1050 mm) | 17.6 in<br>(447 mm) | ST    |
| 4891ANP | 48 in<br>(1200 mm) | 18.1 in<br>(460 mm) | ST    |
| 6091ANP | 60 in<br>(1500 mm) | 21.1 in<br>(536 mm) | ST    |



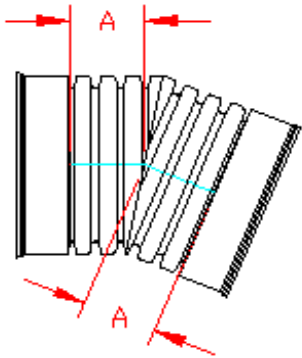
NOTE: ALL FITTINGS DIMENSIONS ARE FOR REFERENCE ONLY

© 2021 Advanced Drainage Systems, Inc.

|  |              |                |
|--|--------------|----------------|
| <br>Advanced Drainage Systems, Inc. | DRAWING #:   | HP 9000        |
|  | DRAWN BY:    | TJR 10/13/2009 |
|  | APPROVED BY: |                |
|  | REVISIONS:   | TJR 5/13/2014  |
|  |              |                |

**HP STORM DUAL WALL FABRICATED 11.25° BENDS  
12" - 24" DIAMETER (BELL\BELL)**

| PART #     | PIPE SIZE         | A                  | JOINT |
|------------|-------------------|--------------------|-------|
| 1291AN65BP | 12 in<br>(300 mm) | 4.3 in<br>(109 mm) | WT    |
| 1591AN65BP | 15 in<br>(375 mm) | 6.0 in<br>(152 mm) | WT    |
| 1891AN65BP | 18 in<br>(450 mm) | 5.8 in<br>(147 mm) | WT    |
| 2491AN65BP | 24 in<br>(600 mm) | 7.9 in<br>(201 mm) | WT    |



WT (INCLUDES 2 GASKETS)

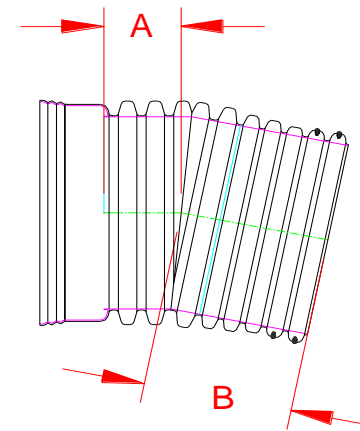
NOTE: ALL FITTINGS DIMENSIONS ARE FOR REFERENCE ONLY

© 2021 Advanced Drainage Systems, Inc.

|  |              |                |
|--|--------------|----------------|
|  | DRAWING #:   | HP 9100        |
|  | DRAWN BY:    | TJR 10/27/2009 |
|  | APPROVED BY: |                |
|  | REVISIONS:   | TJR 5/13/2014  |
|  |              |                |

**HP STORM DUAL WALL FABRICATED 11.25° BENDS  
30" - 60" DIAMETER (IB BELL\B SPIGOT)**

| PART #     | PIPE SIZE          | A                   | B                   | JOINT |
|------------|--------------------|---------------------|---------------------|-------|
| 3091AN65BP | 30 in<br>(750 mm)  | 11.1 in<br>(282 mm) | 21.5 in<br>(546 mm) | WT    |
| 3691AN65BP | 36 in<br>(900 mm)  | 21.1 in<br>(535 mm) | 21.9 in<br>(556 mm) | WT    |
| 4291AN65BP | 42 in<br>(1050 mm) | 13.1 in<br>(331 mm) | 22.0 in<br>(559 mm) | WT    |
| 4891AN65BP | 48 in<br>(1200 mm) | 12.9 in<br>(327 mm) | 23.5 in<br>(597 mm) | WT    |
| 6091AN65BP | 60 in<br>(1500 mm) | 15.1 in<br>(384 mm) | 29.3 in<br>(743 mm) | WT    |



WT (INCLUDES 2 GASKETS)

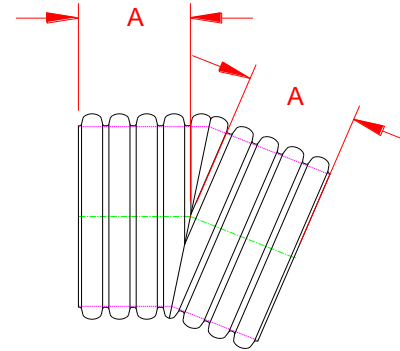
NOTE: ALL FITTINGS DIMENSIONS ARE FOR REFERENCE ONLY

© 2021 Advanced Drainage Systems, Inc.

|  |              |                |
|--|--------------|----------------|
| <br>Advanced Drainage Systems, Inc. | DRAWING #:   | HP 9150        |
|  | DRAWN BY:    | TJR 11/17/2009 |
|  | APPROVED BY: |                |
|  | REVISIONS:   | TJR 5/13/2014  |
|  |              |                |

**HP STORM DUAL WALL FABRICATED 22.5° BENDS  
12" - 60" DIAMETER (PLAIN END)**

| PART #  | PIPE SIZE          | A                   | JOINT |
|---------|--------------------|---------------------|-------|
| 1292ANP | 12 in<br>(300 mm)  | 9.6 in<br>(244 mm)  | ST    |
| 1592ANP | 15 in<br>(375 mm)  | 13.1 in<br>(333 mm) | ST    |
| 1892ANP | 18 in<br>(450 mm)  | 14.3 in<br>(363 mm) | ST    |
| 2492ANP | 24 in<br>(600 mm)  | 18.9 in<br>(480 mm) | ST    |
| 3092ANP | 30 in<br>(750 mm)  | 17.9 in<br>(455 mm) | ST    |
| 3692ANP | 36 in<br>(900 mm)  | 21.5 in<br>(546 mm) | ST    |
| 4292ANP | 42 in<br>(1050 mm) | 24.9 in<br>(632 mm) | ST    |
| 4892ANP | 48 in<br>(1200 mm) | 23.8 in<br>(605 mm) | ST    |
| 6092ANP | 60 in<br>(1500 mm) | 33.2 in<br>(843 mm) | ST    |



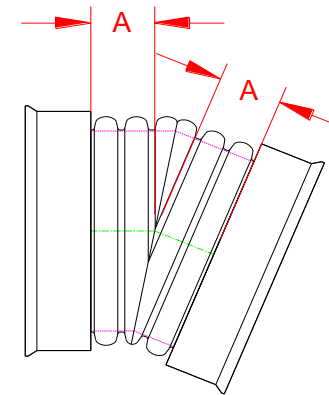
NOTE: ALL FITTINGS DIMENSIONS ARE FOR REFERENCE ONLY

© 2021 Advanced Drainage Systems, Inc.

|  |              |                |
|--|--------------|----------------|
|  | DRAWING #:   | HP 9200        |
|  | DRAWN BY:    | TJR 10/13/2009 |
|  | APPROVED BY: |                |
|  | REVISIONS:   | TJR 5/13/2014  |
|  |              |                |

**HP STORM DUAL WALL FABRICATED 22.5° BENDS  
12" - 24" DIAMETER (BELL\BELL)**

| PART #     | PIPE SIZE         | A                  | JOINT |
|------------|-------------------|--------------------|-------|
| 1292AN65BP | 12 in<br>(300 mm) | 5.8 in<br>(147 mm) | WT    |
| 1592AN65BP | 15 in<br>(375 mm) | 5.4 in<br>(137 mm) | WT    |
| 1892AN65BP | 18 in<br>(450 mm) | 6.9 in<br>(175 mm) | WT    |
| 2492AN65BP | 24 in<br>(600 mm) | 9.5 in<br>(241 mm) | WT    |



WT (INCLUDES 2 GASKETS)

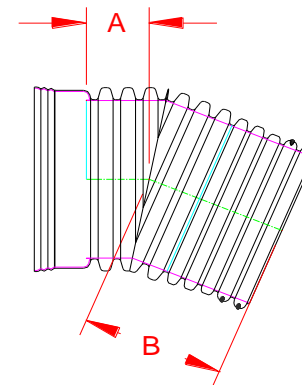
NOTE: ALL FITTINGS DIMENSIONS ARE FOR REFERENCE ONLY

© 2021 Advanced Drainage Systems, Inc.

|  |              |                |
|--|--------------|----------------|
| <br>Advanced Drainage Systems, Inc. | DRAWING #:   | HP 9300        |
|  | DRAWN BY:    | TJR 10/13/2009 |
|  | APPROVED BY: |                |
|  | REVISIONS:   | TJR 5/13/2014  |
|  |              |                |

**HP STORM DUAL WALL FABRICATED 22.5° BENDS  
30" - 60" DIAMETER (IB BELL\IB SPIGOT)**

| PART #     | PIPE SIZE          | A                   | B                   | JOINT |
|------------|--------------------|---------------------|---------------------|-------|
| 3092AN65BP | 30 in<br>(750 mm)  | 11.1 in<br>(282 mm) | 25.5 in<br>(647 mm) | WT    |
| 3692AN65BP | 36 in<br>(900 mm)  | 11.3 in<br>(286 mm) | 21.1 in<br>(535 mm) | WT    |
| 4292AN65BP | 42 in<br>(1050 mm) | 15.2 in<br>(387 mm) | 24.2 in<br>(613 mm) | WT    |
| 4892AN65BP | 48 in<br>(1200 mm) | 13.3 in<br>(339 mm) | 24.0 in<br>(609 mm) | WT    |
| 6092AN65BP | 60 in<br>(1500 mm) | 15.2 in<br>(386 mm) | 29.4 in<br>(746 mm) | WT    |



WT (INCLUDES 2 GASKETS)

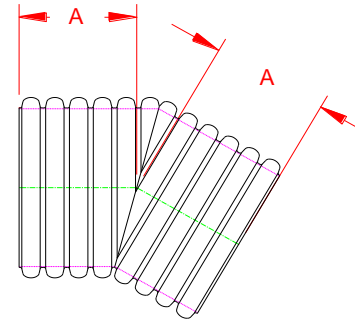
NOTE: ALL FITTINGS DIMENSIONS ARE FOR REFERENCE ONLY

© 2021 Advanced Drainage Systems, Inc.

|  |              |                |
|--|--------------|----------------|
| <br>Advanced Drainage Systems, Inc. | DRAWING #:   | HP 9350        |
|  | DRAWN BY:    | TJR 11/17/2009 |
|  | APPROVED BY: |                |
|  | REVISIONS:   | TJR 5/13/2014  |
|  |              |                |


**HP STORM DUAL WALL FABRICATED 30° BENDS  
12" - 60" DIAMETER (PLAIN END)**

| PART #  | PIPE SIZE          | A                   | JOINT |
|---------|--------------------|---------------------|-------|
| 1295ANP | 12 in<br>(300 mm)  | 9.7 in<br>(246 mm)  | ST    |
| 1595ANP | 15 in<br>(375 mm)  | 12.4 in<br>(315 mm) | ST    |
| 1895ANP | 18 in<br>(450 mm)  | 12.4 in<br>(315 mm) | ST    |
| 2495ANP | 24 in<br>(600 mm)  | 15.9 in<br>(404 mm) | ST    |
| 3095ANP | 30 in<br>(750 mm)  | 20.6 in<br>(523 mm) | ST    |
| 3695ANP | 36 in<br>(900 mm)  | 25.9 in<br>(658 mm) | ST    |
| 4295ANP | 42 in<br>(1050 mm) | 22.3 in<br>(566 mm) | ST    |
| 4895ANP | 48 in<br>(1200 mm) | 22.7 in<br>(577 mm) | ST    |
| 6095ANP | 60 in<br>(1500 mm) | 26.0 in<br>(660 mm) | ST    |



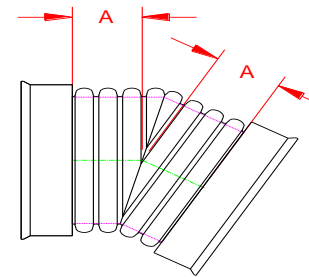
NOTE: ALL FITTINGS DIMENSIONS ARE FOR REFERENCE ONLY

© 2021 Advanced Drainage Systems, Inc.

|  |              |                |
|--|--------------|----------------|
| <br>Advanced Drainage Systems, Inc. | DRAWING #:   | HP 9400        |
|  | DRAWN BY:    | TJR 10/13/2009 |
|  | APPROVED BY: |                |
|  | REVISIONS:   | TJR 5/13/2014  |
|  |              |                |

**HP STORM DUAL WALL FABRICATED 30° BENDS**  
**12" - 24" DIAMETER (BELL\BELL)**

| PART #     | PIPE SIZE         | A                  | JOINT |
|------------|-------------------|--------------------|-------|
| 1295AN65BP | 12 in<br>(300 mm) | 5.8 in<br>(147 mm) | WT    |
| 1595AN65BP | 15 in<br>(375 mm) | 7.8 in<br>(198 mm) | WT    |
| 1895AN65BP | 18 in<br>(450 mm) | 6.7 in<br>(170 mm) | WT    |
| 2495AN65BP | 24 in<br>(600 mm) | 9.5 in<br>(241 mm) | WT    |



WT (INCLUDES 2 GASKETS)

NOTE: ALL FITTINGS DIMENSIONS ARE FOR REFERENCE ONLY

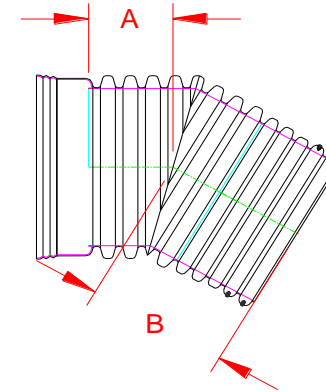
© 2021 Advanced Drainage Systems, Inc.

|  |              |                |
|--|--------------|----------------|
| <br>Advanced Drainage Systems, Inc. | DRAWING #:   | HP 9500        |
|  | DRAWN BY:    | TJR 10/13/2009 |
|  | APPROVED BY: |                |
|  | REVISIONS:   | TJR 5/13/2014  |
|  |              |                |



**HP STORM DUAL WALL FABRICATED 30° BENDS  
30" - 60" DIAMETER (IB BELL\IB SPIGOT)**

| PART #     | PIPE SIZE          | A                   | B                   | JOINT |
|------------|--------------------|---------------------|---------------------|-------|
| 3095AN65BP | 30 in<br>(750 mm)  | 14.9 in<br>(379 mm) | 25.3 in<br>(643 mm) | WT    |
| 3695AN65BP | 36 in<br>(900 mm)  | 15.7 in<br>(398 mm) | 25.5 in<br>(647 mm) | WT    |
| 4295AN65BP | 42 in<br>(1050 mm) | 17.8 in<br>(451 mm) | 21.6 in<br>(547 mm) | WT    |
| 4895AN65BP | 48 in<br>(1200 mm) | 17.5 in<br>(443 mm) | 28.1 in<br>(714 mm) | WT    |
| 6095AN65BP | 60 in<br>(1500 mm) | 20.0 in<br>(508 mm) | 34.2 in<br>(868 mm) | WT    |



WT (INCLUDES 2 GASKETS)

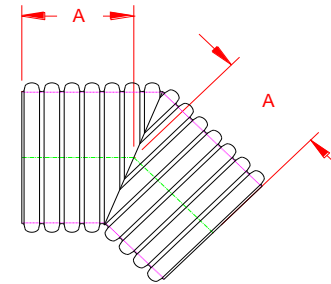
NOTE: ALL FITTINGS DIMENSIONS ARE FOR REFERENCE ONLY

© 2021 Advanced Drainage Systems, Inc.

|  |              |                |
|--|--------------|----------------|
| <br>Advanced Drainage Systems, Inc. | DRAWING #:   | HP 9550        |
|  | DRAWN BY:    | TJR 11/17/2009 |
|  | APPROVED BY: |                |
|  | REVISIONS:   | TJR 5/13/2014  |
|  |              |                |

**HP STORM DUAL WALL FABRICATED 45° BENDS**  
**12" - 60" DIAMETER (PLAIN END)**

| PART #  | PIPE SIZE          | A                    | JOINT |
|---------|--------------------|----------------------|-------|
| 1297ANP | 12 in<br>(300 mm)  | 11.5 in<br>(292 mm)  | ST    |
| 1597ANP | 15 in<br>(375 mm)  | 13.0 in<br>(330 mm)  | ST    |
| 1897ANP | 18 in<br>(450 mm)  | 17.4 in<br>(442 mm)  | ST    |
| 2497ANP | 24 in<br>(600 mm)  | 22.1 in<br>(561 mm)  | ST    |
| 3097ANP | 30 in<br>(750 mm)  | 25.8 in<br>(655 mm)  | ST    |
| 3697ANP | 36 in<br>(900 mm)  | 29.3 in<br>(744 mm)  | ST    |
| 4297ANP | 42 in<br>(1050 mm) | 31.1 in<br>(790 mm)  | ST    |
| 4897ANP | 48 in<br>(1200 mm) | 30.2 in<br>(767 mm)  | ST    |
| 6097ANP | 60 in<br>(1500 mm) | 42.0 in<br>(1067 mm) | ST    |



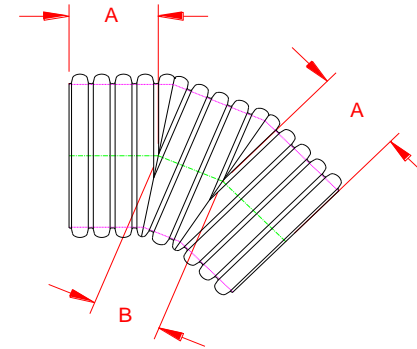
NOTE: ALL FITTINGS DIMENSIONS ARE FOR REFERENCE ONLY

© 2021 Advanced Drainage Systems, Inc.

|  |              |               |
|--|--------------|---------------|
| <br>Advanced Drainage Systems, Inc. | DRAWING #:   | HP 9575       |
|  | DRAWN BY:    | TJR 2/5/2010  |
|  | APPROVED BY: |               |
|  | REVISIONS:   | TJR 5/13/2014 |
|  |              |               |

**HP STORM DUAL WALL FABRICATED SWEEPING 45° BENDS**  
**12" - 60" DIAMETER (PLAIN END)**

| PART #  | PIPE SIZE          | A                   | B                   | JOINT |
|---------|--------------------|---------------------|---------------------|-------|
| 1294ANP | 12 in<br>(300 mm)  | 9.6 in<br>(244 mm)  | 7.7 in<br>(196 mm)  | ST    |
| 1594ANP | 15 in<br>(375 mm)  | 13.1 in<br>(333 mm) | 7.9 in<br>(200 mm)  | ST    |
| 1894ANP | 18 in<br>(450 mm)  | 14.3 in<br>(363 mm) | 10.1 in<br>(257 mm) | ST    |
| 2494ANP | 24 in<br>(600 mm)  | 18.9 in<br>(480 mm) | 12.4 in<br>(314 mm) | ST    |
| 3094ANP | 30 in<br>(750 mm)  | 17.9 in<br>(455 mm) | 15.9 in<br>(404 mm) | ST    |
| 3694ANP | 36 in<br>(900 mm)  | 21.5 in<br>(546 mm) | 16.8 in<br>(426 mm) | ST    |
| 4294ANP | 42 in<br>(1050 mm) | 24.9 in<br>(632 mm) | 19.0 in<br>(482 mm) | ST    |
| 4894ANP | 48 in<br>(1200 mm) | 24.4 in<br>(620 mm) | 22.7 in<br>(575 mm) | ST    |
| 6094ANP | 60 in<br>(1500 mm) | 33.2 in<br>(843 mm) | 24.4 in<br>(621 mm) | ST    |



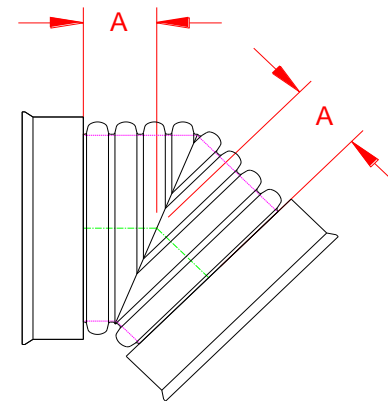
NOTE: ALL FITTINGS DIMENSIONS ARE FOR REFERENCE ONLY

© 2021 Advanced Drainage Systems, Inc.

|  |              |                |
|--|--------------|----------------|
| <br>Advanced Drainage Systems, Inc. | DRAWING #:   | HP 9600        |
|  | DRAWN BY:    | TJR 10/13/2009 |
|  | APPROVED BY: |                |
|  | REVISIONS:   | TJR 5/13/2014  |
|  |              |                |

**HP STORM DUAL WALL FABRICATED 45° BENDS  
12" - 24" DIAMETER (BELL\BELL)**

| PART #     | PIPE SIZE         | A                  | JOINT |
|------------|-------------------|--------------------|-------|
| 1297AN65BP | 12 in<br>(300 mm) | 5.8 in<br>(147 mm) | WT    |
| 1597AN65BP | 15 in<br>(375 mm) | 7.8 in<br>(198 mm) | WT    |
| 1897AN65BP | 18 in<br>(450 mm) | 6.7 in<br>(170 mm) | WT    |
| 2497AN65BP | 24 in<br>(600 mm) | 9.5 in<br>(241 mm) | WT    |



WT (INCLUDES 2 GASKETS)

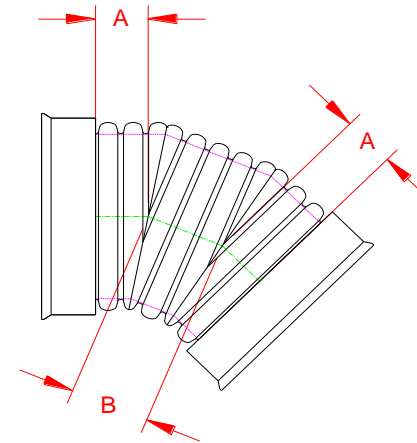
NOTE: ALL FITTINGS DIMENSIONS ARE FOR REFERENCE ONLY

© 2021 Advanced Drainage Systems, Inc.

|  |              |               |
|--|--------------|---------------|
| <br>Advanced Drainage Systems, Inc. | DRAWING #:   | HP 9650       |
|  | DRAWN BY:    | TJR 1/5/2010  |
|  | APPROVED BY: |               |
|  | REVISIONS:   | TJR 5/13/2014 |
|  |              |               |

**HP STORM DUAL WALL FABRICATED SWEEPING 45° BENDS  
12" - 24" DIAMETER (BELL\BELL)**

| PART #     | PIPE SIZE         | A                  | B                   | JOINT |
|------------|-------------------|--------------------|---------------------|-------|
| 1294AN65BP | 12 in<br>(300 mm) | 5.7 in<br>(144 mm) | 7.7 in<br>(196 mm)  | WT    |
| 1594AN65BP | 15 in<br>(375 mm) | 5.2 in<br>(133 mm) | 7.9 in<br>(200 mm)  | WT    |
| 1894AN65BP | 18 in<br>(450 mm) | 6.4 in<br>(162 mm) | 10.1 in<br>(257 mm) | WT    |
| 2494AN65BP | 24 in<br>(600 mm) | 9.4 in<br>(238 mm) | 12.4 in<br>(314 mm) | WT    |



WT (INCLUDES 2 GASKETS)

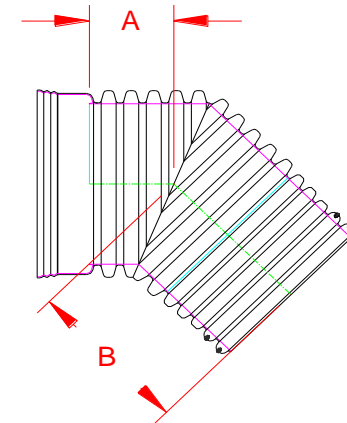
NOTE: ALL FITTINGS DIMENSIONS ARE FOR REFERENCE ONLY

© 2021 Advanced Drainage Systems, Inc.

|  |              |                |
|--|--------------|----------------|
| <br>Advanced Drainage Systems, Inc. | DRAWING #:   | HP 9700        |
|  | DRAWN BY:    | TJR 10/13/2009 |
|  | APPROVED BY: |                |
|  | REVISIONS:   | TJR 5/13/2014  |
|  |              |                |

**HP STORM DUAL WALL FABRICATED 45° BENDS  
30" - 60" DIAMETER (IB BELL\IB SPIGOT)**

| PART #     | PIPE SIZE          | A                   | B                   | JOINT |
|------------|--------------------|---------------------|---------------------|-------|
| 3097AN65BP | 30 in<br>(750 mm)  | 14.9 in<br>(379 mm) | 29.3 in<br>(743 mm) | WT    |
| 3697AN65BP | 36 in<br>(900 mm)  | 13.8 in<br>(351 mm) | 23.6 in<br>(600 mm) | WT    |
| 4297AN65BP | 42 in<br>(1050 mm) | 21.4 in<br>(544 mm) | 25.2 in<br>(640 mm) | WT    |
| 4897AN65BP | 48 in<br>(1200 mm) | 19.7 in<br>(501 mm) | 30.4 in<br>(771 mm) | WT    |
| 6097AN65BP | 60 in<br>(1500 mm) | 24.0 in<br>(610 mm) | 38.2 in<br>(970 mm) | WT    |



WT (INCLUDES 2 GASKETS)

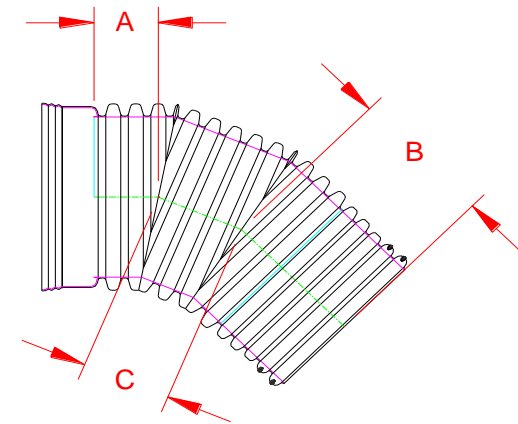
NOTE: ALL FITTINGS DIMENSIONS ARE FOR REFERENCE ONLY

© 2021 Advanced Drainage Systems, Inc.

|  |              |                |
|--|--------------|----------------|
| <br>Advanced Drainage Systems, Inc. | DRAWING #:   | HP 9725        |
|  | DRAWN BY:    | TJR 11/17/2009 |
|  | APPROVED BY: |                |
|  | REVISIONS:   | TJR 5/13/2014  |
|  |              |                |

**HP STORM DUAL WALL FABRICATED SWEEPING 45° BENDS  
30" - 60" DIAMETER (IB BELL\IB SPIGOT)**

| PART #     | PIPE SIZE          | A                   | B                   | C                   | JOINT |
|------------|--------------------|---------------------|---------------------|---------------------|-------|
| 3094AN65BP | 30 in<br>(750 mm)  | 11.4 in<br>(288 mm) | 25.7 in<br>(653 mm) | 15.9 in<br>(404 mm) | WT    |
| 3694AN65BP | 36 in<br>(900 mm)  | 11.3 in<br>(286 mm) | 21.1 in<br>(535 mm) | 16.8 in<br>(426 mm) | WT    |
| 4294AN65BP | 42 in<br>(1050 mm) | 15.2 in<br>(387 mm) | 24.2 in<br>(613 mm) | 19.0 in<br>(482 mm) | WT    |
| 4894AN65BP | 48 in<br>(1200 mm) | 13.9 in<br>(354 mm) | 24.6 in<br>(624 mm) | 22.7 in<br>(575 mm) | WT    |
| 6094AN65BP | 60 in<br>(1500 mm) | 15.2 in<br>(386 mm) | 29.4 in<br>(746 mm) | 24.4 in<br>(621 mm) | WT    |



WT (INCLUDES 2 GASKETS)

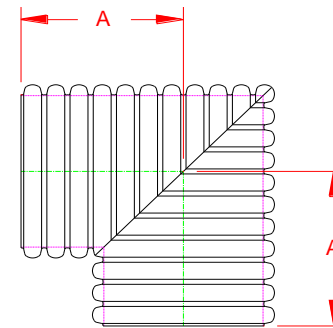
NOTE: ALL FITTINGS DIMENSIONS ARE FOR REFERENCE ONLY

© 2021 Advanced Drainage Systems, Inc.

|  |              |                |
|--|--------------|----------------|
| <br>Advanced Drainage Systems, Inc. | DRAWING #:   | HP 9750        |
|  | DRAWN BY:    | TJR 11/17/2009 |
|  | APPROVED BY: |                |
|  | REVISIONS:   | TJR 5/13/2014  |
|  |              |                |

**HP STORM DUAL WALL FABRICATED 90° BENDS**  
**12" - 60" DIAMETER (PLAIN END)**

| PART #  | PIPE SIZE          | A                    | JOINT |
|---------|--------------------|----------------------|-------|
| 1298ANP | 12 in<br>(300 mm)  | 14.7 in<br>(372 mm)  | ST    |
| 1598ANP | 15 in<br>(375 mm)  | 19.5 in<br>(495 mm)  | ST    |
| 1898ANP | 18 in<br>(450 mm)  | 22.6 in<br>(575 mm)  | ST    |
| 2498ANP | 24 in<br>(600 mm)  | 24.1 in<br>(611 mm)  | ST    |
| 3098ANP | 30 in<br>(750 mm)  | 34.3 in<br>(872 mm)  | ST    |
| 3698ANP | 36 in<br>(900 mm)  | 36.8 in<br>(933 mm)  | ST    |
| 4298ANP | 42 in<br>(1050 mm) | 41.9 in<br>(1064 mm) | ST    |
| 4898ANP | 48 in<br>(1200 mm) | 45.1 in<br>(1146 mm) | ST    |
| 6098ANP | 60 in<br>(1500 mm) | 52.6 in<br>(1335 mm) | ST    |



NOTE: ALL FITTINGS DIMENSIONS ARE FOR REFERENCE ONLY

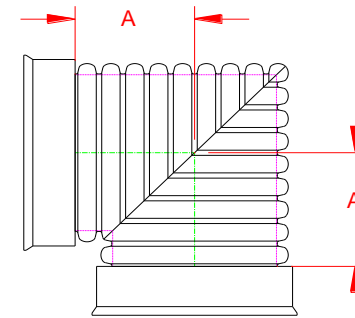
© 2021 Advanced Drainage Systems, Inc.

|   |              |               |
|---|--------------|---------------|
| <br><small>Advanced Drainage Systems, Inc.</small> | DRAWING #:   | HP 9800       |
|   | DRAWN BY:    | TJR 2/8/2010  |
|   | APPROVED BY: |               |
|   | REVISIONS:   | TJR 5/13/2014 |
|   |              |               |



**HP STORM DUAL WALL FABRICATED 90° BENDS**  
**12" - 24" DIAMETER (BELL\BELL)**

| PART #     | PIPE SIZE         | A                   | JOINT |
|------------|-------------------|---------------------|-------|
| 1298AN65BP | 12 in<br>(300 mm) | 10.8 in<br>(274 mm) | WT    |
| 1598AN65BP | 15 in<br>(375 mm) | 11.8 in<br>(300 mm) | WT    |
| 1898AN65BP | 18 in<br>(450 mm) | 14.7 in<br>(373 mm) | WT    |
| 2498AN65BP | 24 in<br>(600 mm) | 17.7 in<br>(450 mm) | WT    |



WT (INCLUDES 2 GASKETS)

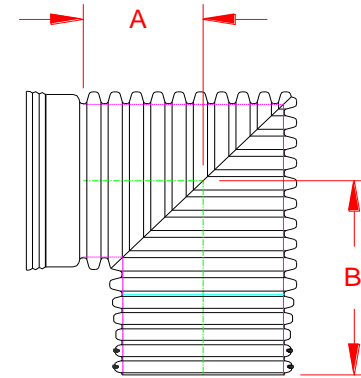
NOTE: ALL FITTINGS DIMENSIONS ARE FOR REFERENCE ONLY

© 2021 Advanced Drainage Systems, Inc.

|  |              |               |
|--|--------------|---------------|
|  | DRAWING #:   | HP 9850       |
|  | DRAWN BY:    | TJR 2/9/2010  |
|  | APPROVED BY: |               |
|  | REVISIONS:   | TJR 5/13/2014 |
|  |              |               |

**HP STORM DUAL WALL FABRICATED 90° BENDS  
30" - 60" DIAMETER (IB BELL\IB SPIGOT)**

| PART #     | PIPE SIZE          | A                    | B                    | JOINT |
|------------|--------------------|----------------------|----------------------|-------|
| 3098AN65BP | 30 in<br>(750 mm)  | 23.8 in<br>(605 mm)  | 38.2 in<br>(969 mm)  | WT    |
| 3698AN65BP | 36 in<br>(900 mm)  | 26.5 in<br>(673 mm)  | 36.3 in<br>(923 mm)  | WT    |
| 4298AN65BP | 42 in<br>(1050 mm) | 32.2 in<br>(818 mm)  | 41.1 in<br>(1045 mm) | WT    |
| 4898AN65BP | 48 in<br>(1200 mm) | 34.7 in<br>(880 mm)  | 45.3 in<br>(1150 mm) | WT    |
| 6098AN65BP | 60 in<br>(1500 mm) | 46.5 in<br>(1180 mm) | 54.7 in<br>(1390 mm) | WT    |



WT (INCLUDES 2 GASKETS)

NOTE: ALL FITTINGS DIMENSIONS ARE FOR REFERENCE ONLY

© 2021 Advanced Drainage Systems, Inc.

|  |              |               |
|--|--------------|---------------|
| <br>Advanced Drainage Systems, Inc. | DRAWING #:   | HP 9900       |
|  | DRAWN BY:    | TJR 2/9/2010  |
|  | APPROVED BY: |               |
|  | REVISIONS:   | TJR 5/13/2014 |
|  |              |               |