

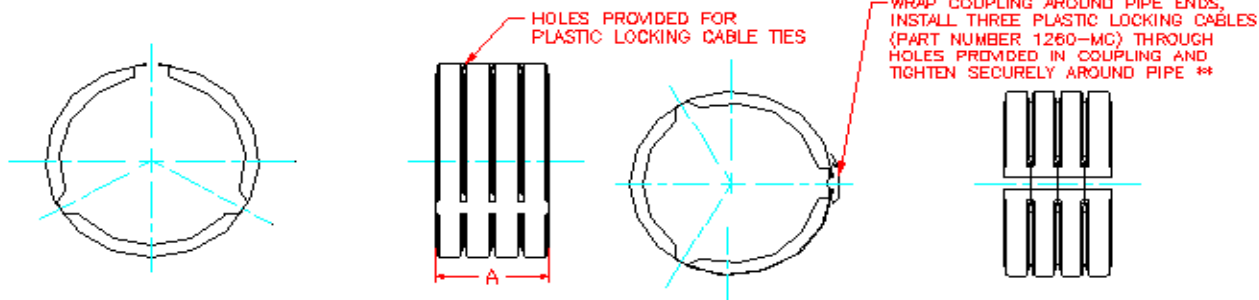
"H" PROFILE ST SPLIT COUPLER 10" - 60" DIAMETER

PART #	PIPE SIZE	A
1011AA	10 in (250 mm)	5.0 in (128 mm)
1211AA*	12 in (300 mm)	7.7 in (195 mm)
1265AA	12 in (300 mm)	7.7 in
1266AA		(196 mm)
1565AA	15 in (375 mm)	10.4 in
1566AA		(263 mm)
1865AA	18 in (450 mm)	10.7 in
1866AA		(272 mm)
2465AA	24 in (600 mm)	12.6 in
2466AA		(320 mm)
3065AA	30 in (750 mm)	16.5 in
3066AA		(419 mm)
3661AAH	36 in (900 mm)	19.1 in (485 mm)
N/A	42 in (1050 mm)	23.9 in (607 mm)
4865AAH	48 in (1200 mm)	23.9 in (608 mm)
N/A	60 in (1500 mm)	32.0 in (813 mm)

NOTE:

TOP # : COUPLER ONLY

BOTTOM # : COUPLER WITH GASKET



NOTE: ALL FITTINGS DIMENSIONS ARE FOR REFERENCE ONLY

© 2023 Advanced Drainage Systems, Inc.

ADS Advanced Drainage Systems, Inc.	DRAWING #:	2000B	
	DRAWN BY:	JCB	09.05.06
	APPROVED BY:	JCB	07.09.07
	REVISIONS:	JCB	07.09.07