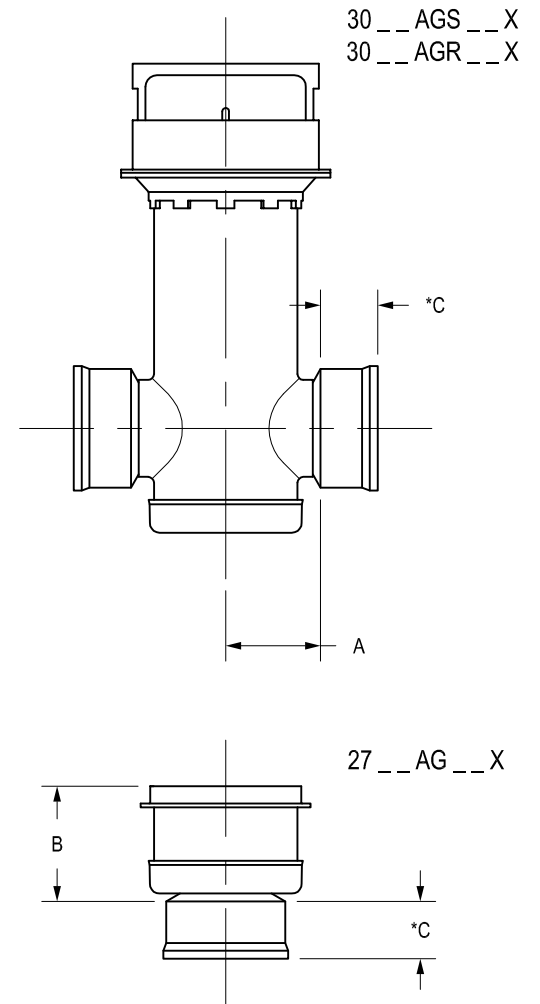
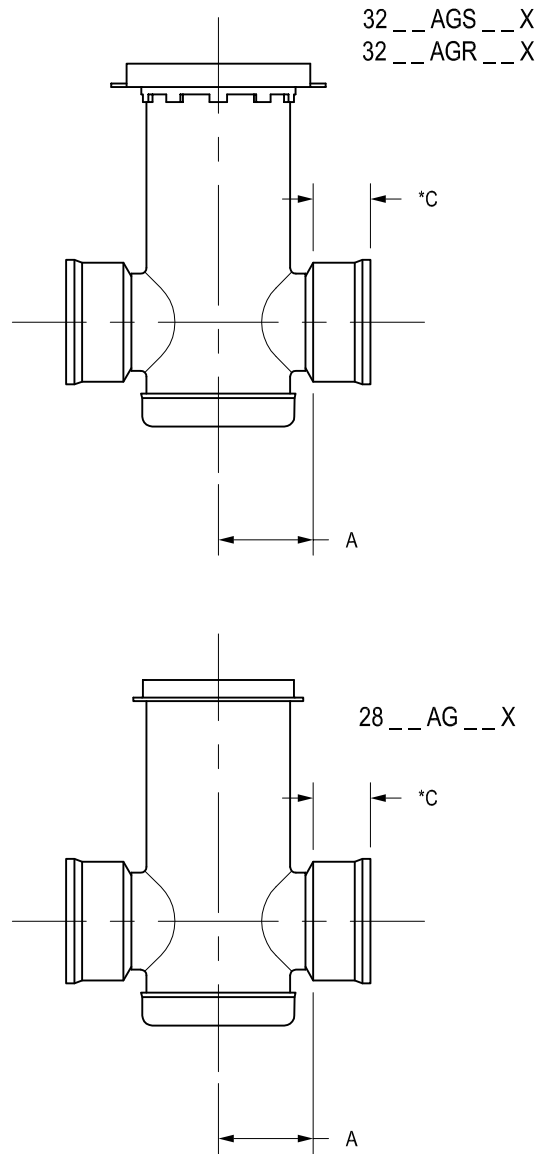


BODY SIZE	ADAPTER SIZE	A	B	*C
8"	4"	6.20	7.50	3.82
8"	6"	6.20	5.25	4.21
8"	8"	6.70	7.25	5.24
10"	4"	7.25	8.75	3.82
10"	6"	7.25	8.75	4.21
10"	8"	7.75	6.50	5.24
10"	10"	7.75	7.75	6.08
12"	4"	8.25	10.50	3.82
12"	6"	8.25	11.50	4.21
12"	8"	8.75	11.50	5.24
12"	10"	8.75	11.25	6.08
12"	12"	9.25	6.00	6.45
15"	4"	9.65	13.25	3.82
15"	6"	9.65	12.75	4.21
15"	8"	10.15	12.25	5.24
15"	10"	10.15	13.50	6.08
15"	12"	10.65	12.75	6.45
15"	15"	10.65	7.00	7.9
18"	4"	11.35	14.00	3.82
18"	6"	11.35	14.00	4.21
18"	8"	11.85	14.00	5.24
18"	10"	11.85	14.00	6.08
18"	12"	12.35	14.00	6.45
18"	15"	12.35	13.50	7.9
18"	18"	12.85	8.25	8.39
24"	4"	14.40	15.00	3.82
24"	6"	14.40	15.00	4.21
24"	8"	14.90	15.00	5.24
24"	10"	14.90	15.00	6.08
24"	12"	15.40	15.00	6.45
24"	15"	15.40	15.00	7.9
24"	18"	15.90	10.00	8.39
24"	24"	16.90	10.25	10.05
30"	4"	18.00	15.25	3.82
30"	6"	18.00	15.50	4.21
30"	8"	18.50	15.75	5.24
30"	10"	18.50	16.00	6.08
30"	12"	19.00	16.50	6.45
30"	15"	19.00	17.00	7.9
30"	18"	19.50	17.75	8.39
30"	24"	20.50	14.00	10.05
30"	30"	27.00	9.50	12.85



DIMENSIONS ARE FOR REFERENCE ONLY
 ACTUAL DIMENSIONS MAY VARY
 DIMENSIONS ARE IN INCHES
 *C - DIMENSIONS ARE FOR ADS N-12 / HANCOR DUAL WALL BELL
 CONTACT ENGINEERING FOR BELL INFORMATION NOT LISTED

THIS PRINT DISCLOSES SUBJECT MATTER IN WHICH NYLOPLAST HAS PROPRIETARY RIGHTS. THE RECEIPT OR POSSESSION OF THIS PRINT DOES NOT CONFER, TRANSFER, OR LICENSE THE USE OF THE DESIGN OR TECHNICAL INFORMATION SHOWN HEREIN REPRODUCTION OF THIS PRINT OR ANY INFORMATION CONTAINED HEREIN, OR MANUFACTURE OF ANY ARTICLE HEREFROM, FOR THE DISCLOSURE TO OTHERS IS FORBIDDEN, EXCEPT BY SPECIFIC WRITTEN PERMISSION FROM NYLOPLAST.

DRAWN BY	CJA	MATERIAL
DATE	09-30-99	
REVISED BY	CCA	PROJECT NO./NAME
DATE	09-09-13	
DWG SIZE	A	SCALE 1:25 SHEET 1 OF 1

	3130 VERONA AVE BUFORD, GA 30518 PHN (770) 932-2443 FAX (770) 932-2490 www.nyloplast-us.com		
	TITLE 8 IN - 30 IN BODY TO ADAPTER DIMENSIONS		
DWG NO.	7002-110-003	REV	G