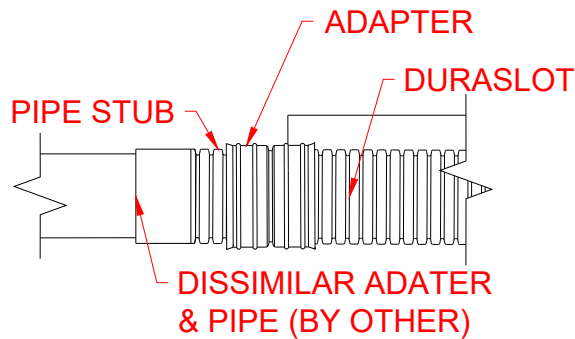
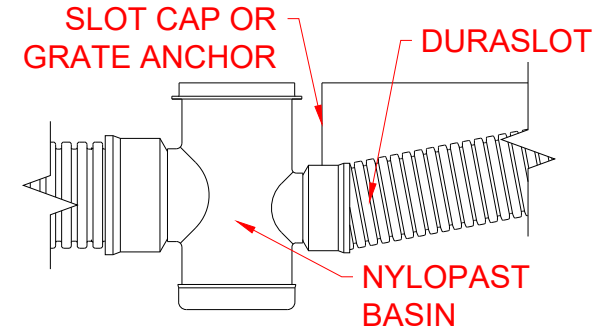


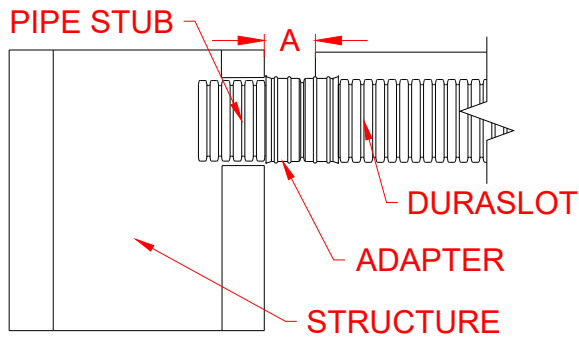
TO OPEN END



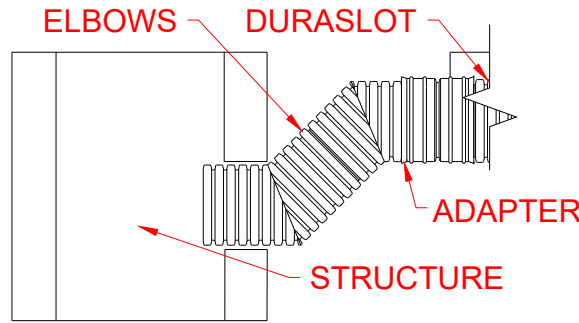
TO DISSIMILAR PIPE



TO NYLOPLAST BASIN



TO DISSIMILAR STRUCTURE



TO FITTINGS & STRUCTURE

PIPE Ø, in (mm)	MINIMUM LENGTH A, in (mm)
4 (100)	2.75 (70)
6 (150)	3.25 (83)
8 (200)	4.75 (121)
10 (250)	5.25 (133)
12 (300)	8.50 (216)
15 (375)	9.50 (241)
18 (450)	10.50 (267)
24 (600)	8.80 (224)
30 (750)	8.50 (216)
36 (900)	10.80 (274)

NOTE: 'A' SHALL INCREASE IF ADDITIONAL FITTINGS ARE USED

**NOTES:**

- DURASLOT ADAPTERS MAY CONNECT TO N-12 HDPE OR 12" - 18" HP STORM PIPE
- ALL NON-DURASLOT PRODUCTS TO BE SUPPLIED SEPARATELY

© 2024 ADS, INC.

0	-	-	-	-
REV.	DESCRIPTION	BY	MM/DD/YY	CHK'D

ADVANCED DRAINAGE SYSTEMS, INC. ("ADS") HAS PREPARED THIS DETAIL BASED ON INFORMATION PROVIDED TO ADS. THIS DRAWING IS INTENDED TO DEPICT THE COMPONENTS AS REQUESTED. ADS HAS NOT PERFORMED ANY ENGINEERING OR DESIGN SERVICES FOR THIS PROJECT, NOR HAS ADS INDEPENDENTLY VERIFIED THE INFORMATION SUPPLIED. THE INSTALLATION DETAILS PROVIDED HEREIN ARE GENERAL RECOMMENDATIONS AND ARE NOT SPECIFIC FOR THIS PROJECT. THE DESIGN ENGINEER SHALL REVIEW THESE DETAILS PRIOR TO CONSTRUCTION. IT IS THE DESIGN ENGINEERS RESPONSIBILITY TO ENSURE THE DETAILS PROVIDED HEREIN MEETS OR EXCEEDS THE APPLICABLE NATIONAL, STATE, OR LOCAL REQUIREMENTS AND TO ENSURE THAT THE DETAILS PROVIDED HEREIN ARE ACCEPTABLE FOR THIS PROJECT.

**Duraslot & Duraslot XL  
Outlet Connection**

DRAWING NUMBER: STD-1466



4640 TRUEMAN BLVD  
HILLIARD, OHIO 43026

DRAWN BY:	KJS
DATE:	04-16-2024
CHK'D BY:	
SCALE:	NTS
SHEET:	1 OF 1