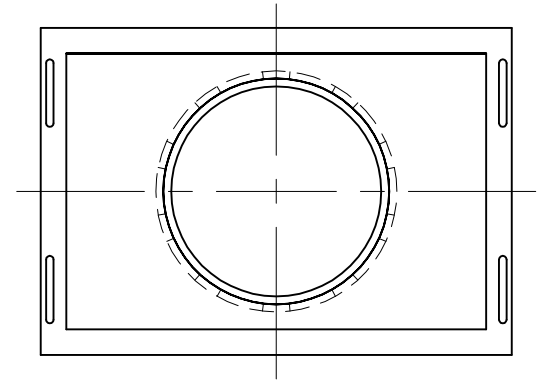
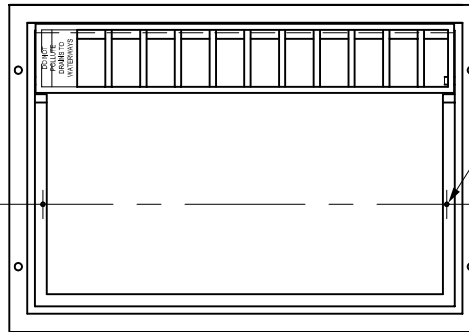
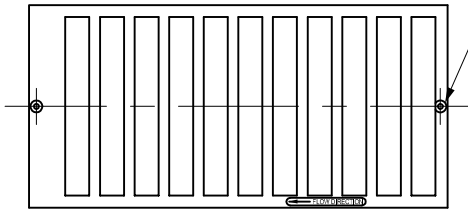


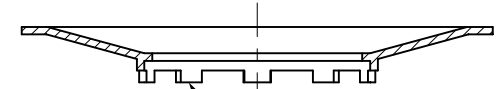
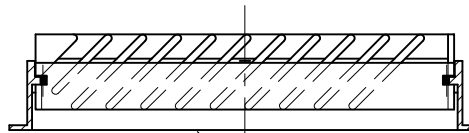
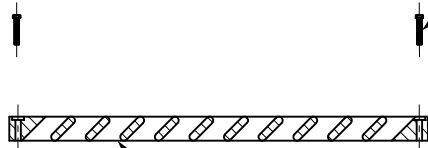
3099CGRHFL & 3099CGRFHLL

DRILL Ø .438 THRU GRATE ONLY
COUNTERBORE Ø 1.00 X .275 DP
2 PLACES

DRILL Ø .313 THRU
TAP 3/8-16 THREAD
2 PLACES



3/8-16 X 2 1/4" LONG HEX BOLT
ZINC-PLATED STEEL 2 PLACES



2' X 3' CURB INLET
HIGH FLOW LOCKING GRATE
3099CGRHFL

2' X 3' ROLL CURB INLET - LEFT FLOW
LOCKING FRAME & HOOD
3099CGRFHLL

2' X 3' CURB INLET BASE PLATE
TO MATCH BASIN O.D.

NOTE: LOCATION OF LOCKING DEVICE MAY VARY

THIS PRINT DISCLOSES SUBJECT MATTER IN WHICH NYLOPLAST HAS PROPRIETARY RIGHTS. THE RECEIPT OR POSSESSION OF THIS PRINT DOES NOT CONFER, TRANSFER, OR LICENSE THE USE OF THE DESIGN OR TECHNICAL INFORMATION SHOWN HEREIN REPRODUCTION OF THIS PRINT OR ANY INFORMATION CONTAINED HEREIN, OR MANUFACTURE OF ANY ARTICLE HEREFROM, FOR THE DISCLOSURE TO OTHERS IS FORBIDDEN, EXCEPT BY SPECIFIC WRITTEN PERMISSION FROM NYLOPLAST. ©2013 NYLOPLAST

DRAWN BY EBC

DATE 03-27-06

REVISED BY CCA

DATE 09-05-13

DWG SIZE A

MATERIAL

PROJECT NO./NAME

SCALE 1:16 SHEET 1 OF 1



3130 VERONA AVE
BUFORD, GA 30518
PHN (770) 932-2443
FAX (770) 932-2490
www.nyloplast-us.com

TITLE
2 FT X 3 FT ROLL CURB INLET - LEFT FLOW
LOCKING GRATE ASSEMBLY

DWG NO. 7002-110-063 REV C