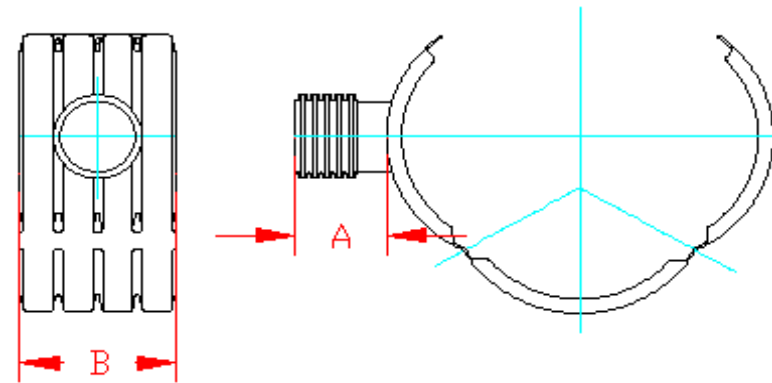


DUAL WALL FABRICATED REDUCING SADDLE TEE
30" - 36" DIAMETER

PART #	PIPE SIZE	A	B
3040AN	30 x 4 in (750 x 100 mm)	5.4 in (137 mm)	16.5 in (419 mm)
3041AN	30 x 6 in (750 x 150 mm)	6.8 in (173 mm)	16.5 in (419 mm)
3042AN	30 x 8 in (750 x 200 mm)	9.2 in (234 mm)	16.5 in (419 mm)
3043AN	30 x 10 in (750 x 250 mm)	10.0 in (254 mm)	16.5 in (419 mm)
3044AN	30 x 12 in (750 x 300 mm)	10.0 in (254 mm)	16.5 in (419 mm)
3045AN	30 x 15 in (750 x 375 mm)	13.0 in (330 mm)	16.5 in (419 mm)
3640AN	36 x 4 in (900 x 100 mm)	5.1 in (130 mm)	20.8 in (528 mm)
3641AN	36 x 6 in (900 x 150 mm)	6.5 in (165 mm)	20.8 in (528 mm)
3642AN	36 x 8 in (900 x 200 mm)	9.2 in (234 mm)	20.8 in (528 mm)
3643AN	36 x 10 in (900 x 250 mm)	9.7 in (246 mm)	20.8 in (528 mm)
3644AN	36 x 12 in (900 x 300 mm)	10.0 in (254 mm)	20.8 in (528 mm)
3645AN	36 x 15 in (900 x 375 mm)	13.0 in (330 mm)	20.8 in (528 mm)
3646AN	36 x 18 in (900 x 450 mm)	13.0 in (330 mm)	41.6 in (1057 mm)



NOTE: ALL FITTINGS DIMENSIONS ARE FOR REFERENCE ONLY

© 2023 Advanced Drainage Systems, Inc.

	DRAWING #:	2470	
	DRAWN BY:	JCB	07.13.06
	APPROVED BY:	JCB	06.26.07
	REVISIONS:	TJR	5/19/2010