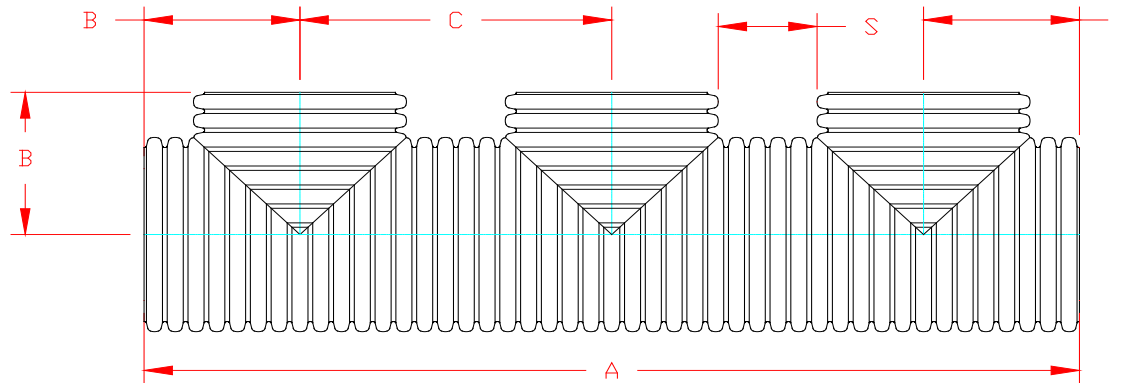


**HP STORM DUAL WALL FABRICATED "SOIL TIGHT" "PLAIN END"  
TRIPLE MANIFOLD 12" - 36" DIAMETER**

PART #	PIPE SIZE	A	B	C	D	S
1253ANP	12 in (300 mm)	70.9 in (1800 mm)	11.8 in (300 mm)	23.6 in (600 mm)	11.8 in (300 mm)	9.1 in (230 mm)
1553ANP	15 in (375 mm)	85.2 in (2163 mm)	14.2 in (360 mm)	28.4 in (721 mm)	14.2 in (360 mm)	10.7 in (271 mm)
1853ANP	18 in (450 mm)	106.3 in (2701 mm)	17.7 in (450 mm)	35.4 in (900 mm)	17.7 in (450 mm)	14.1 in (357 mm)
2153ANP	21 in (525 mm)	115.5 in (2933 mm)	19.2 in (489 mm)	38.5 in (978 mm)	19.2 in (489 mm)	13.8 in (350 mm)
2453ANP	24 in (600 mm)	123.3 in (3131 mm)	20.5 in (522 mm)	41.1 in (1043 mm)	20.5 in (522 mm)	12.6 in (321 mm)
3053ANP	30 in (750 mm)	151.5 in (3847 mm)	25.2 in (641 mm)	50.5 in (1282 mm)	25.2 in (641 mm)	15.0 in (382 mm)
3653ANP	36 in (900 mm)	189.1 in (4802 mm)	31.5 in (800 mm)	63.0 in (1601 mm)	31.5 in (800 mm)	21.5 in (546 mm)



NOTE: ALL FITTINGS DIMENSIONS ARE FOR REFERENCE ONLY



DRAWING #:	13100	
DRAWN BY:	TJR	10/13/2016
APPROVED BY:		
REVISIONS:		