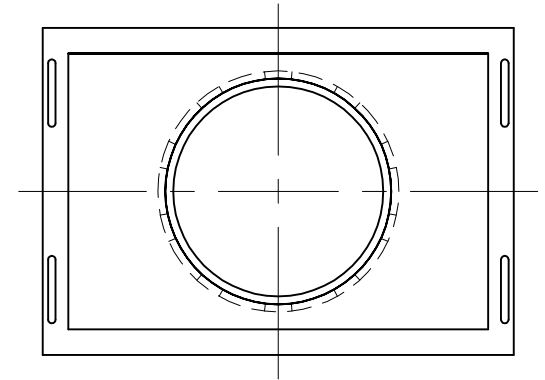
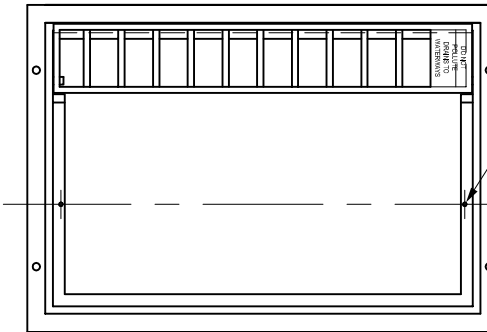
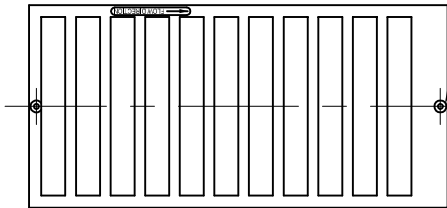


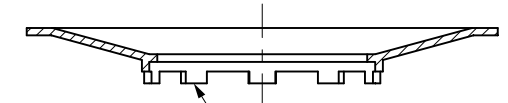
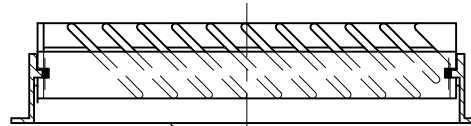
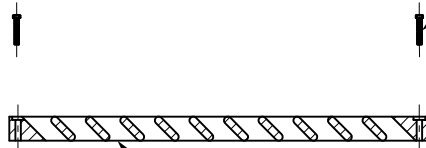
3099CGRHFL & 3099CGRFHRL

DRILL Ø .438 THRU GRATE ONLY
COUNTERBORE Ø 1.00 X .275 DP
2 PLACES

DRILL Ø .313 THRU
TAP 3/8-16 THREAD
2 PLACES



3/8-16 X 2 1/4" LONG HEX BOLT
ZINC-PLATED STEEL 2 PLACES



2' X 3' CURB INLET
HIGH FLOW LOCKING GRATE
3099CGRHFL

2' X 3' ROLL CURB INLET - RIGHT FLOW
LOCKING FRAME & HOOD
3099CGRFHRL

2' X 3' CURB INLET BASE PLATE
TO MATCH BASIN O.D.

NOTE: LOCATION OF LOCKING DEVICE MAY VARY

THIS PRINT DISCLOSES SUBJECT MATTER IN WHICH NYLOPLAST HAS PROPRIETARY RIGHTS. THE RECEIPT OR POSSESSION OF THIS PRINT DOES NOT CONFER, TRANSFER, OR LICENSE THE USE OF THE DESIGN OR TECHNICAL INFORMATION SHOWN HEREIN REPRODUCTION OF THIS PRINT OR ANY INFORMATION CONTAINED HEREIN, OR MANUFACTURE OF ANY ARTICLE HEREFROM, FOR THE DISCLOSURE TO OTHERS IS FORBIDDEN, EXCEPT BY SPECIFIC WRITTEN PERMISSION FROM NYLOPLAST.

©2013 NYLOPLAST

| | | |
|------------|----------|-------------------------|
| DRAWN BY | EBC | MATERIAL |
| DATE | 03-27-06 | |
| REVISED BY | CCA | PROJECT NO./NAME |
| DATE | 09-05-13 | |
| DWG SIZE | A | SCALE 1:16 SHEET 1 OF 1 |

| | |
|---------|---|
| | 3130 VERONA AVE BUFORD, GA 30518 PHN (770) 932-2443 FAX (770) 932-2490 www.nyloplast-us.com |
| | TITLE 2 FT X 3 FT ROLL CURB INLET - RIGHT FLOW LOCKING GRATE ASSEMBLY |
| DWG NO. | 7002-110-062 REV C |