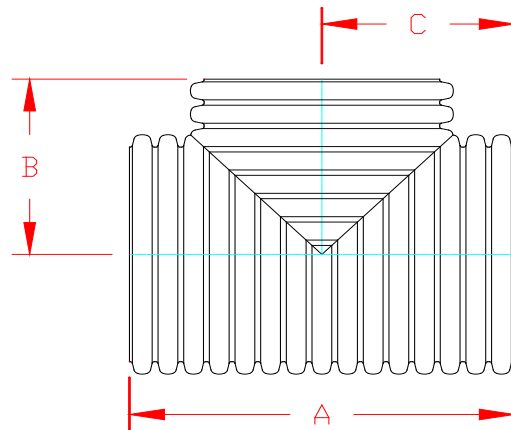


**HP STORM DUAL WALL FABRICATED "SOIL TIGHT" "PLAIN END"
SINGLE MANIFOLD 36" - 60" DIAMETER**

PART #	PIPE SIZE	A	B	C
3651ANP	36 in (900 mm)	63.0 in (1601 mm)	31.5 in (800 mm)	31.5 in (800 mm)
4251ANP	42 in (1050 mm)	67.9 in (1725 mm)	34.0 in (863 mm)	34.0 in (863 mm)
4851ANP	48 in (1200 mm)	78.9 in (2005 mm)	39.5 in (1003 mm)	39.5 in (1003 mm)
6051ANP	60 in (1500 mm)	90.7 in (2305 mm)	45.4 in (1152 mm)	45.4 in (1152 mm)



NOTE: ALL FITTINGS DIMENSIONS ARE FOR REFERENCE ONLY



DRAWING #:	13025	
DRAWN BY:	TJR	10/13/2016
APPROVED BY:		
REVISIONS:		