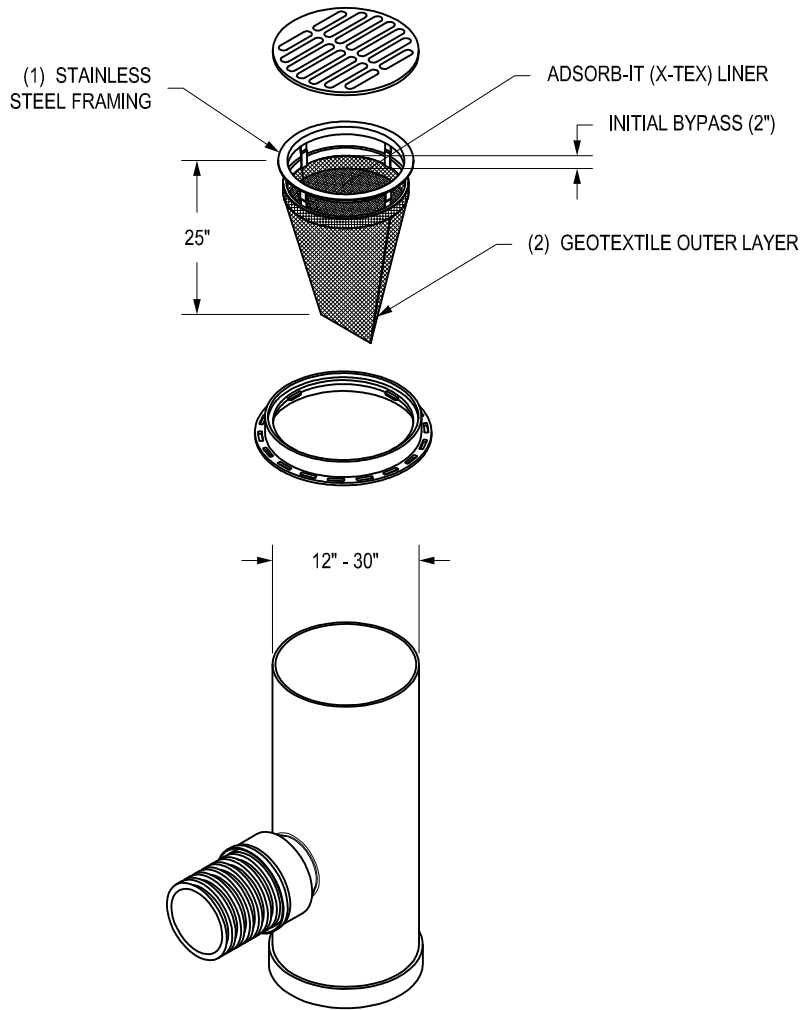
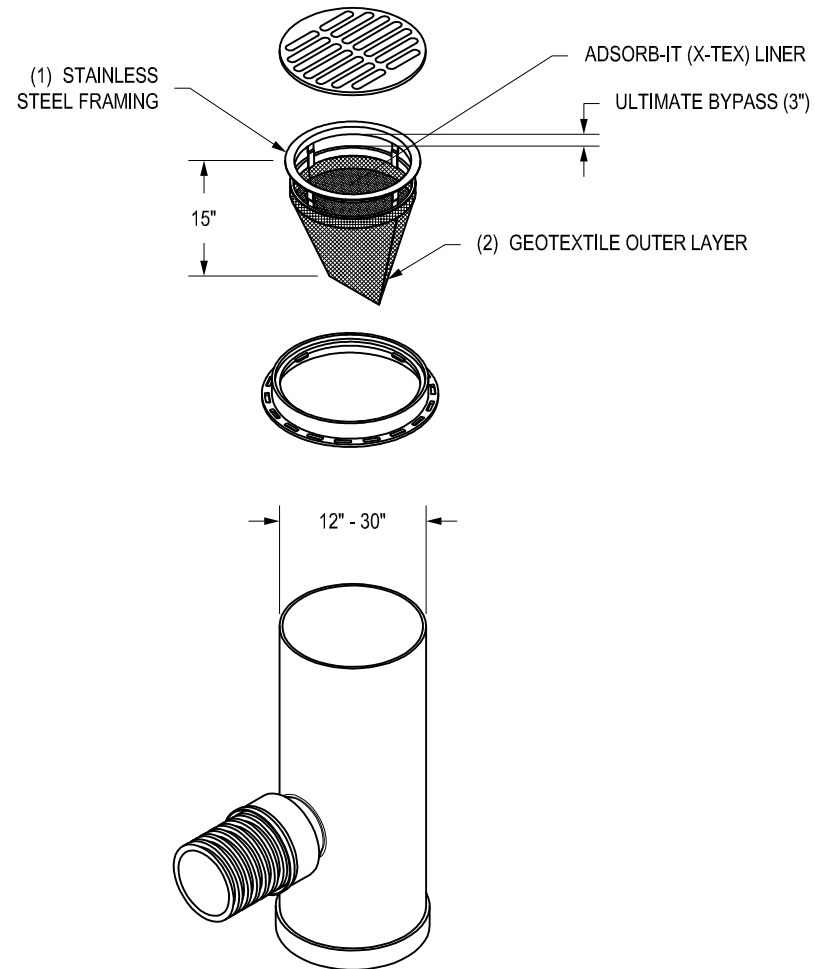


# FLEXSTORM PC INLET FILTER

PC INLET FILTER



PC INLET FILTER (SHORT)




- 1 - FLEXSTORM PC FRAME MATERIAL SHALL BE 304 STAINLESS STEEL.
- 2 - FLEXSTORM PC OUTER GEOTEXTILE MATERIAL SHALL BE PROPEX GEOTEX 117F.
- 3 - FLEXSTORM PC AVAILABLE FOR ALL 12" - 30" DRAIN BASIN, ROAD & HIGHWAY, & CURB INLETSTRUCTURE OPTIONS.

THIS PRINT DISCLOSES SUBJECT MATTER IN WHICH NYLOPLAST HAS PROPRIETARY RIGHTS. THE RECEIPT OR POSSESSION OF THIS PRINT DOES NOT CONFER, TRANSFER, OR LICENSE THE USE OF THE DESIGN OR TECHNICAL INFORMATION SHOWN HEREIN REPRODUCTION OF THIS PRINT OR ANY INFORMATION CONTAINED HEREIN, OR MANUFACTURE OF ANY ARTICLE HEREFROM, FOR THE DISCLOSURE TO OTHERS IS FORBIDDEN, EXCEPT BY SPECIFIC WRITTEN PERMISSION FROM NYLOPLAST.

©2013 NYLOPLAST

DRAWN BY	EBC	MATERIAL
DATE	04-27-10	
APPD BY	CCA	PROJECT NO./NAME
DATE	09-09-13	
DWG SIZE	A	SCALE 1:30 SHEET 1 OF 1

	3130 VERONA AVE BUFORD, GA 30518 PHN (770) 932-2443 FAX (770) 932-2490 <a href="http://www.nyloplast-us.com">www.nyloplast-us.com</a>	
TITLE <b>FLEXSTORM PC INLET FILTER (NYLOPLAST UNIT)</b>		
DWG NO.	7005-110-019	REV B