

# Water Control Structure

The Nyloplast® Water Control Structure is an innovative stormwater management basin that provides an effective way to manage water levels in a variety of applications. The Nyloplast Water Control Structure combines the superior Nyloplast basin technology with the ability to control level and discharge dynamics and modify them based on conditions.

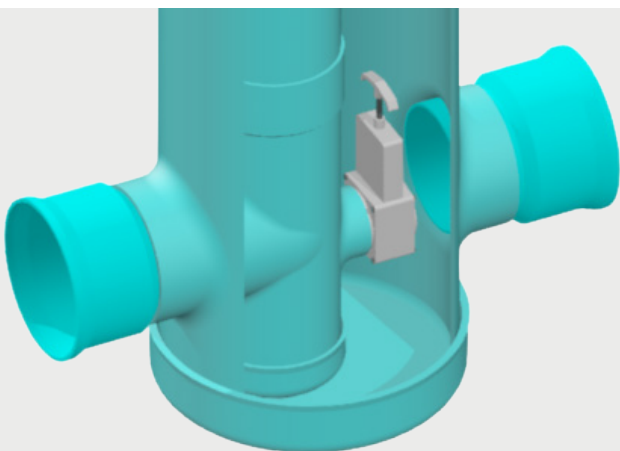
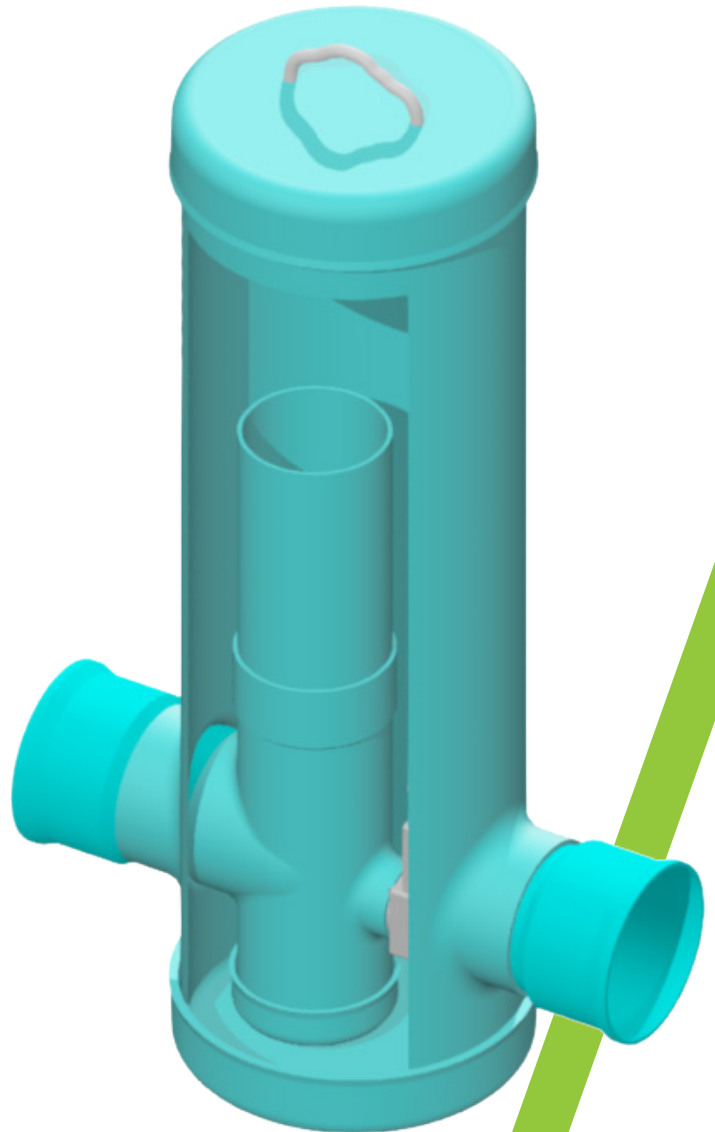
The Water Control Structure allows overflow for heavy rainfall events, but also restricts water movement during normal conditions to maximize residence time for valuable nutrients so they can stay in the crop zone. In addition to agricultural uses, the structures can be used in a variety of other applications, including general water level management, wetland management, residential flow control and more.

## Features

- Fabricated with a Nyloplast drainage structure
- Ductile Iron or locking lid options available
- Numerous stub options for different pipe types
- No corrosion or degradation over time
- Easily adjustable, corrosion-resistant standpipes

## Benefits

- Controls water level of drainage basin at any level
- Allows timely drainage to maximize crop development or wetland control
- Improves water quality
- Ideal for wetland conservation applications
- Allows a controlled release of outlet flow
- Drainage control reduces the annual transport of total nitrogen
- Reduces nutrient exports and total suspended solids (TSS) in watershed



# Water Control Structure Specifications

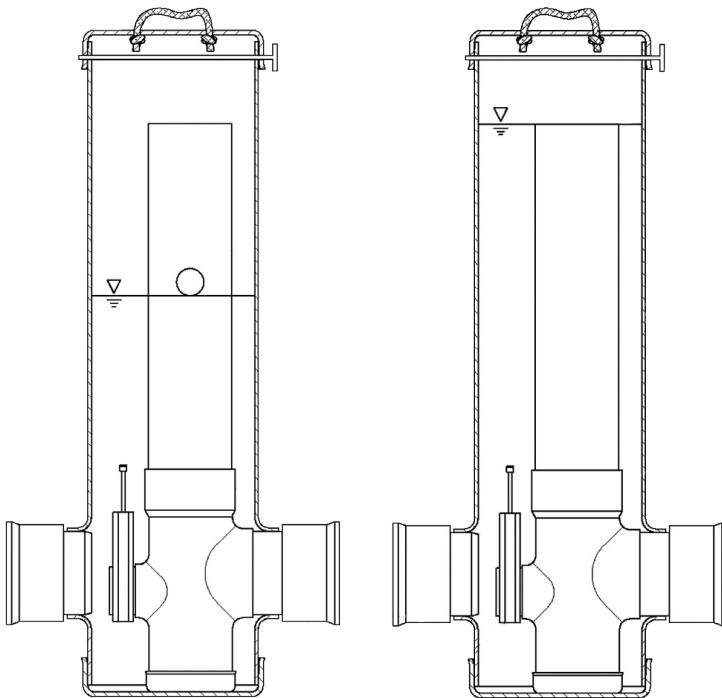
## Scope

This specification describes the Water Control Structure for use in drainage applications. Structure is intended for gravity flow only and is not intended for pressure. Some leakage may occur at connections.

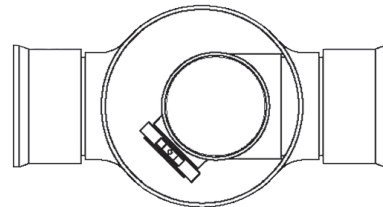
## Requirements

- Basin structures are manufactured using high quality PVC material.
- Can be sourced with various types of connections
- Standpipes shall be constructed from PVC
- Installation shall be in accordance with Nyloplast installation procedures and those issued by local regulations or any other applicable authority
- Lift tool included to control low level drainage valve

Product Description	Available Inlet/Outlet
300 mm (12") Basin	100-150 mm (4"-6")
375 mm (15") Basin	100-200 mm (4"-8")
450 mm (18") Basin	100-250 mm (4"-10")
600 mm (24") Basin	100-375 mm (4"-15")
750 mm (30") Basin	100-450 mm (4"-18")



Side View



Top View