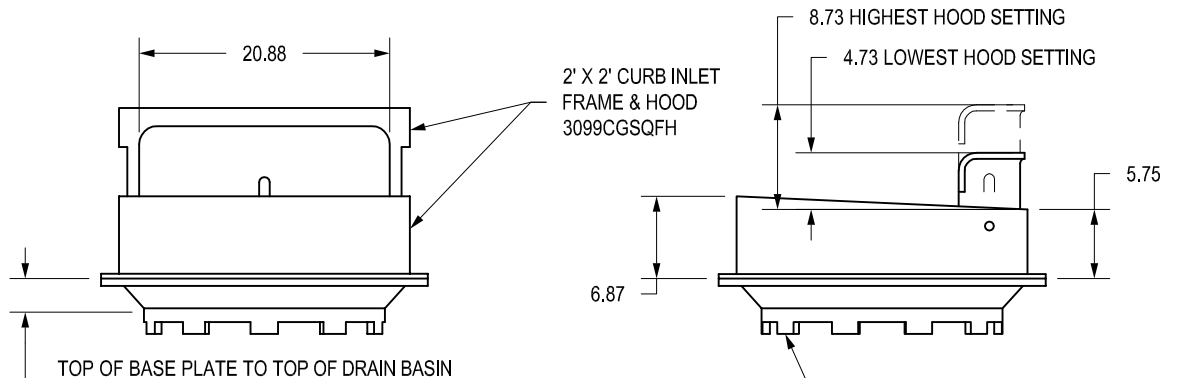
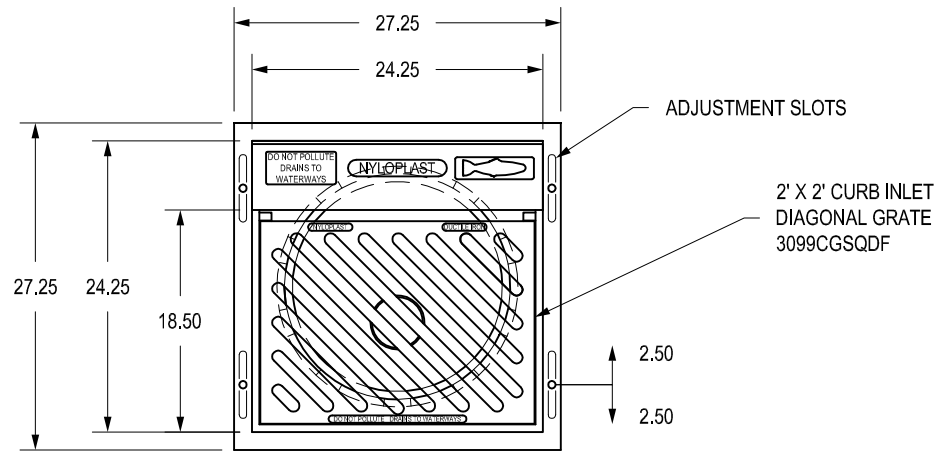
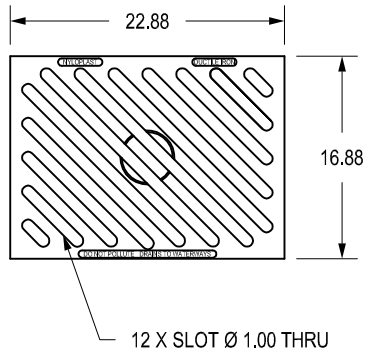


# 3099CGSQDF & 3099CGSQFH

APPROX. GRATE DRAIN AREA = 146.70 SQ. IN.  
 \*APPROX. WEIGHT WITH FRAME & HOOD = 296.00 LBS.



DIMENSIONS ARE FOR REFERENCE ONLY  
 ACTUAL DIMENSIONS MAY VARY  
 DIMENSIONS ARE IN INCHES  
 GRATE MEETS H-20 LOAD RATING  
 QUALITY: MATERIALS SHALL CONFORM TO ASTM A536 GRADE 70-50-05  
 PAINT: CASTINGS ARE FURNISHED WITH A BLACK PAINT  
 LOCKING DEVICE AVAILABLE UPON REQUEST SEE DRAWING NO. 7002-110-054  
 SLOPE OF GRATE SURFACE IS 5.2%  
 CURB INLET FRAME INSIDE VOLUME IS APPROX 1.76 CU FT  
 APPROX. DRAIN AREA OF GRATE & HOOD  
 LOWEST SETTING = 227.89 SQ IN  
 LOWEST + 1" SETTING = 248.77 SQ IN  
 LOWEST + 2" SETTING = 269.64 SQ IN  
 LOWEST + 3" SETTING = 290.52 SQ IN  
 HIGHEST SETTING = 311.39 SQ IN

TOP OF BASE PLATE TO TOP OF DRAIN BASIN  
 12BASEG: 2.82  
 15BASEG: 2.82  
 18BASEG: 2.82  
 24BASEG: 2.82  
 30BASEG: .38

\*WEIGHT DOES NOT INCLUDE  
 DUCTILE IRON BASE PLATE  
 12BASEG: APPROX. 109.00 LBS  
 15BASEG: APPROX. 98.00 LBS  
 18BASEG: APPROX. 85.00 LBS  
 24BASEG: APPROX. 93.00 LBS  
 30BASEG: APPROX. 82.00 LBS

THIS PRINT DISCLOSES SUBJECT MATTER IN WHICH NYLOPLAST HAS PROPRIETARY RIGHTS. THE RECEIPT OR POSSESSION OF THIS PRINT DOES NOT CONFER, TRANSFER, OR LICENSE THE USE OF THE DESIGN OR TECHNICAL INFORMATION SHOWN HEREIN REPRODUCTION OF THIS PRINT OR ANY INFORMATION CONTAINED HEREIN, OR MANUFACTURE OF ANY ARTICLE HEREFROM, FOR THE DISCLOSURE TO OTHERS IS FORBIDDEN, EXCEPT BY SPECIFIC WRITTEN PERMISSION FROM NYLOPLAST.

DRAWN BY	EBC	MATERIAL
DATE	02-24-06	DUCTILE IRON
REVISED BY	CCA	PROJECT NO./NAME
DATE	09-05-13	
DWG SIZE	A	SCALE 1:16 SHEET 1 OF 1

	3130 VERONA AVE BUFORD, GA 30518 PHN (770) 932-2443 FAX (770) 932-2490 www.nyloplast-us.com
	TITLE 2 FT X 2 FT CURB INLET DIAGONAL GRATE ASSEMBLY
DWG NO.	7002-110-043
REV	D