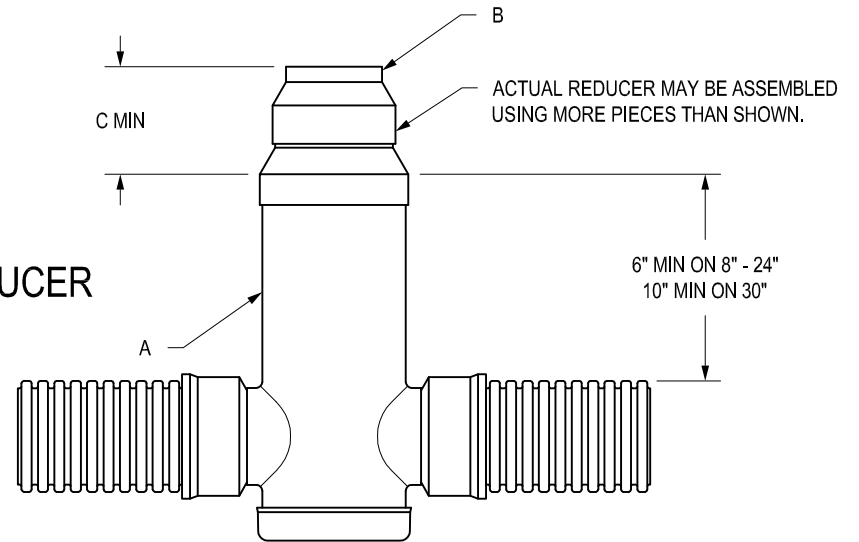
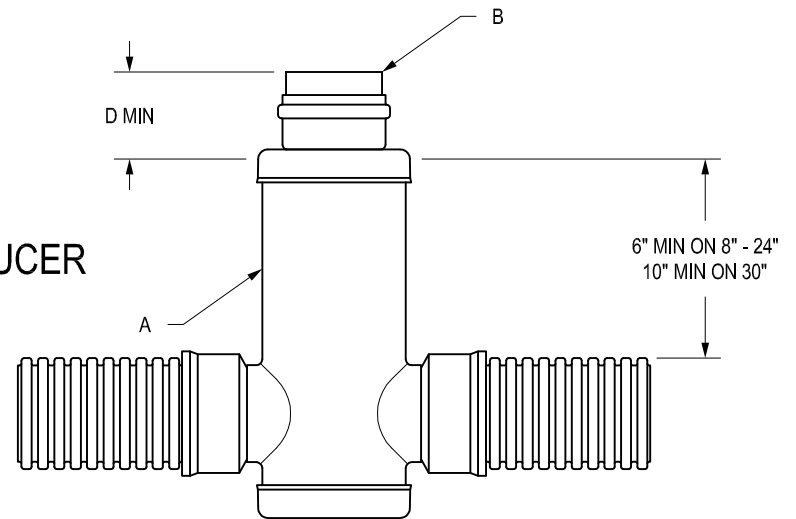


A	B	C	D
10"	8"	6.00	9.00
12"	8"	12.00	9.00
12"	10"	6.00	10.00
15"	8"	18.50	9.00
15"	10"	12.50	10.00
15"	12"	6.50	
18"	8"	25.50	9.00
18"	10"	19.50	10.00
18"	12"	13.50	11.50
18"	15"	7.00	
24"	8"	36.50	9.00
24"	10"	30.50	10.00
24"	12"	24.50	11.00
24"	15"	18.00	12.00
24"	18"	11.00	
30"	8"	46.50	9.00
30"	10"	40.50	10.00
30"	12"	34.50	11.50
30"	15"	28.00	12.00
30"	18"	21.00	14.50
30"	24"	13.50	

CONE STYLE REDUCER



CAP STYLE REDUCER




NOTE: DIMENSIONS ARE FOR REFERENCE ONLY
ACTUAL DIMENSIONS MAY VARY

THIS PRINT DISCLOSES SUBJECT MATTER IN WHICH NYLOPLAST HAS PROPRIETARY RIGHTS. THE RECEIPT OR POSSESSION OF THIS PRINT DOES NOT CONFER, TRANSFER, OR LICENSE THE USE OF THE DESIGN OR TECHNICAL INFORMATION SHOWN HEREIN REPRODUCTION OF THIS PRINT OR ANY INFORMATION CONTAINED HEREIN, OR MANUFACTURE OF ANY ARTICLE HEREFROM, FOR THE DISCLOSURE TO OTHERS IS FORBIDDEN, EXCEPT BY SPECIFIC WRITTEN PERMISSION FROM NYLOPLAST.

©2010 NYLOPLAST

DRAWN BY	CJA	MATERIAL
DATE	2-6-03	
REVISED BY	JJC	PROJECT NO./NAME
DATE	7-10-13	
DWG SIZE	A	SCALE 1:25 SHEET 1 OF 1

	3130 VERONA AVE BUFORD, GA 30518 PHN (770) 932-2443 FAX (770) 932-2490 www.nyloplast-us.com
	TITLE
DRAIN BASIN WITH REDUCER OPTIONS	
DWG NO.	7001-110-104 REV E