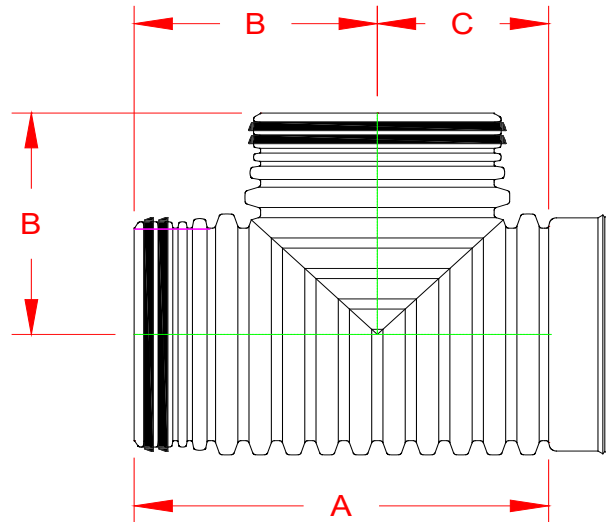


**HP STORM DUAL WALL FABRICATED "WATER TIGHT" "IN-LINE SPIGOT END"
SINGLE MANIFOLD 21" & 36" - 60" DIAMETER**

PART #	PIPE SIZE	A	B	C
2151AN65GP	21 in (525 mm)	41.7 in (1060 mm)	25.2 in (639 mm)	16.6 in (421 mm)
3051AN65GP	30 in (750 mm)	55.6 in (1412 mm)	33.6 in (854 mm)	22.0 in (558 mm)
3651AN65GP	36 in (900 mm)	65.0 in (1652 mm)	38.2 in (969 mm)	26.9 in (682 mm)
4251AN65GP	42 in (1050 mm)	73.7 in (1871 mm)	43.4 in (1101 mm)	30.3 in (770 mm)
4851AN65GP	48 in (1200 mm)	82.6 in (2099 mm)	47.9 in (1216 mm)	34.8 in (883 mm)
6051AN65GP	60 in (1500 mm)	97.3 in (2470 mm)	57.2 in (1454 mm)	40.0 in (1017 mm)



NOTE: ALL FITTINGS DIMENSIONS ARE FOR REFERENCE ONLY

© 2021 Advanced Drainage Systems, Inc.



DRAWING #:	13250	
DRAWN BY:	TJR	10/13/2016
APPROVED BY:		
REVISIONS:		