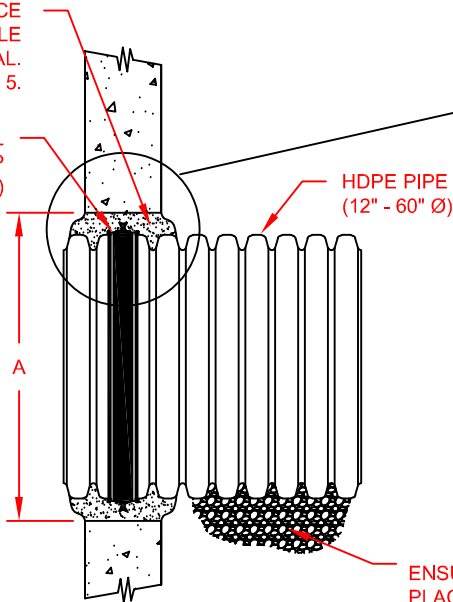


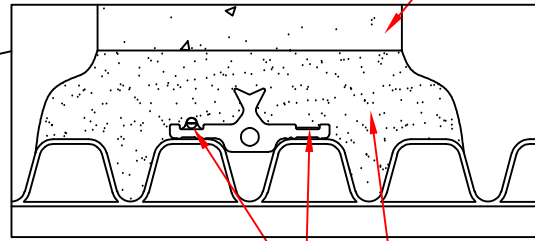
FILL VOID SPACE WITH ACCEPTABLE GROUT MATERIAL. SEE NOTE 5.

STAINLESS STEEL TAKE-UP CLAMP (2 ~ PLACES)



SIDE CONNECTION VIEW

DETAILED CONNECTION VIEW



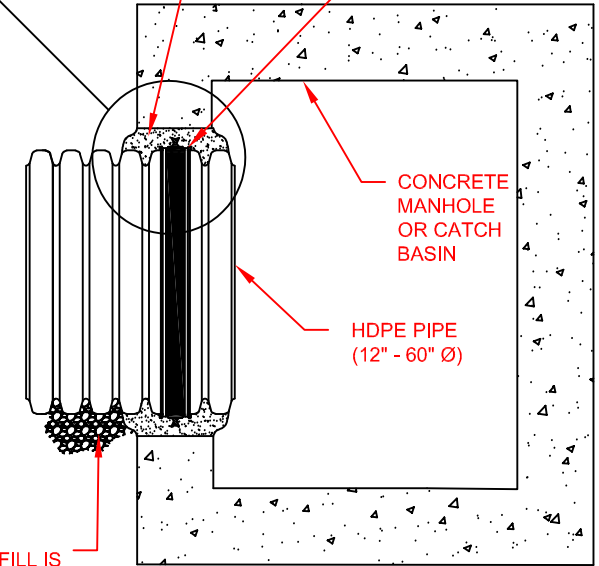
STAINLESS STEEL TAKE-UP CLAMP SCREWS WILL BE PLACED 180° FROM EACH OTHER

NON-SHRINK PATCHING COMPOUND

ENSURE BACKFILL IS PLACED UNDER PIPE AND PROPERLY COMPACTED

FILL VOID SPACE WITH ACCEPTABLE GROUT MATERIAL

STAINLESS STEEL TAKE-UP CLAMP (2 ~ PLACES)



TOP CONNECTION VIEW - CATCH BASIN SHOWN

NOTES:

- PERFORMANCE HIGHLY DEPENDENT ON INSTALLATION. CONTRACTOR MUST ENSURE MANHOLE GASKET IS UNIFORMLY SEATED AROUND STRUCTURE ADAPTER. EXTRA PRECAUTIONS MUST BE TAKEN TO PREVENT DIFFERENTIAL SETTLEMENT BETWEEN THE PIPE AND MANHOLE.
- SEE STANDARD DETAIL STD-201 AND WATERSTOP INSTALLATION GUIDE FOR INSTALLATION RECOMMENDATIONS.
- PIPE JOINTS SHOULD BE A MINIM OF 3 FT. FROM STRUCTURE CONNECTION
- PIPE BELLS TO BE COMPLETELY REMOVED BEFORE MAKING CONNECTION
- COMPLETELY FILL INTERNAL VOID SPACE WITH NON-SHRINK GROUT OR MASONRY & MORTAR

PIPE SIZE	PIPE OD		"A" MIN. HOLE DIA.	MIN. DISTANCE PIPE INVERT TO STRUCTURE INVERT	ADS PRODUCT CODES
	A-PROFILE	H-PROFILE			
12" (300mm)	14.5" (368.3mm)	N/A	19.50" (495.3mm)	3.7" (94.0mm)	1202PS
15" (375mm)	17.6" (447.0mm)	N/A	23.40" (594.4mm)	4.2" (106.7mm)	1502PS
18" (450mm)	21.2" (538.5mm)	N/A	27.30" (693.4mm)	4.6" (116.8mm)	1802PS
24" (600mm)	27.8" (706.1mm)	N/A	33.45" (849.6mm)	4.7" (119.4mm)	2402PS
30" (750mm)	35.1" (891.5mm)	N/A	41.40" (1051.6mm)	5.6" (142.2mm)	3002PS
36" (900mm)	41.1" (1043.9mm)	41.1" (1043.9mm)	47.90" (1216.7mm)	5.9" (149.9mm)	3602PS
42" (1050mm)	47.7" (1211.6mm)	48.0" (1219.2mm)	53.30" (1353.8mm)	6.0" (152.4mm)	4202PS
48" (1200mm)	53.6" (1361.4mm)	54.0" (1371.6mm)	59.40" (1508.8mm)	6.1" (154.9mm)	4802PS
60" (1500mm)	66.3" (1684.0mm)	67.3" (1709.4mm)	72.70" (1846.6mm)	6.7" (170.2mm)	6002PS

© 2023 ADS, INC

ADVANCED DRAINAGE SYSTEMS, INC. ("ADS") HAS PREPARED THIS DETAIL BASED ON INFORMATION PROVIDED TO ADS. THIS DRAWING IS INTENDED TO DEPICT THE COMPONENTS AS REQUESTED. ADS HAS NOT PERFORMED ANY ENGINEERING OR DESIGN SERVICES FOR THIS PROJECT, NOR HAS ADS INDEPENDENTLY VERIFIED THE INFORMATION SUPPLIED. THE INSTALLATION DETAILS PROVIDED HEREIN ARE GENERAL RECOMMENDATIONS AND ARE NOT SPECIFIC FOR THIS PROJECT. THE DESIGN ENGINEER SHALL REVIEW THESE DETAILS PRIOR TO CONSTRUCTION. IT IS THE DESIGN ENGINEERS RESPONSIBILITY TO ENSURE THE DETAILS PROVIDED HEREIN MEETS OR EXCEEDS THE APPLICABLE NATIONAL, STATE, OR LOCAL REQUIREMENTS AND TO ENSURE THAT THE DETAILS PROVIDED HEREIN ARE ACCEPTABLE FOR THIS PROJECT.

R	CONNECTION DETAILS UPDATE	RKC	3/5/26	CJD	
REV.	DESCRIPTION	BY	MM/DD/YY	CHKD	

**12"-60" N-12 WATERSTOP
MH/CATCH BASIN CONNECTION**

DRAWING NUMBER: STD-203



4640 TRUEMAN BLVD
HILLIARD, OHIO 43026

DRAWN BY:	CKS
DATE:	10/10/06
QC'D BY:	
SCALE:	NTS
SHEET:	1 OF 1