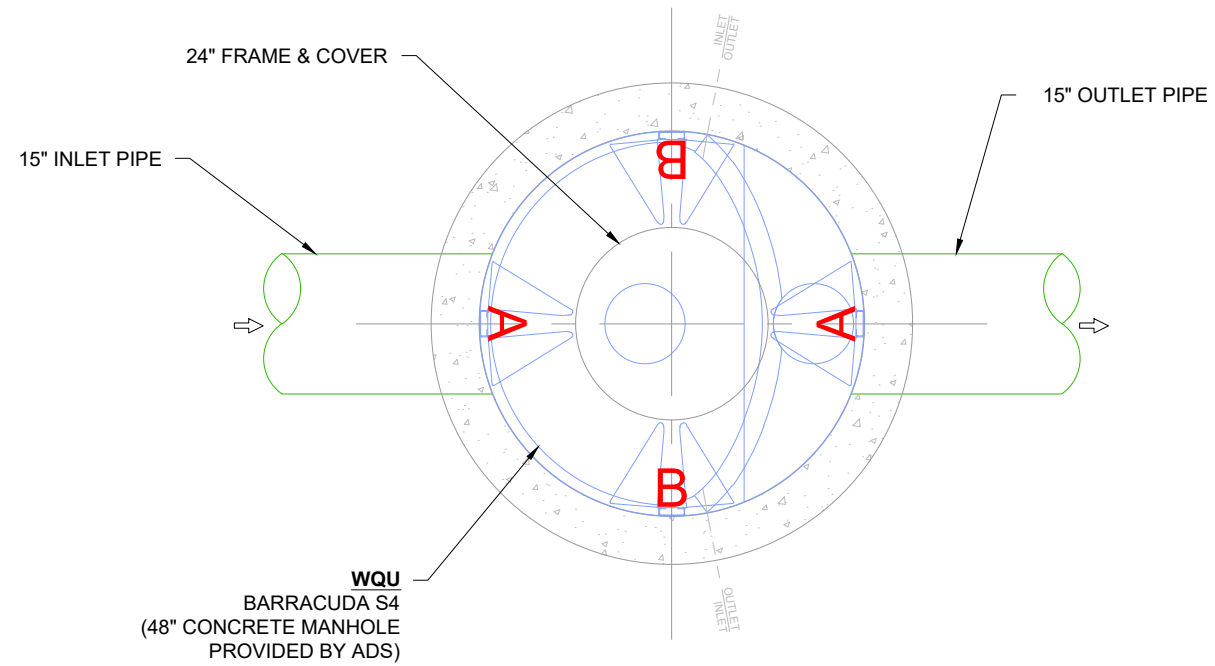
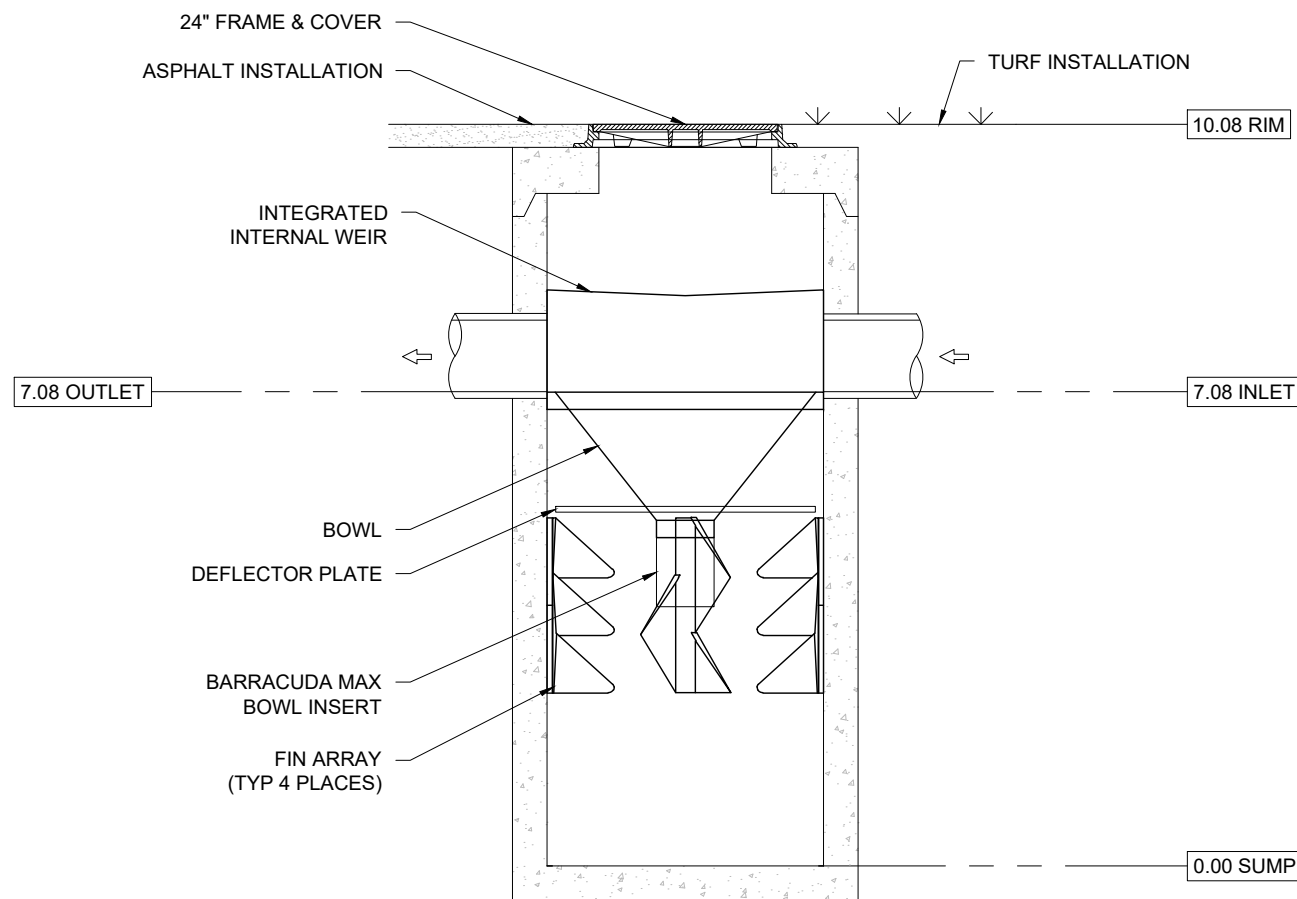


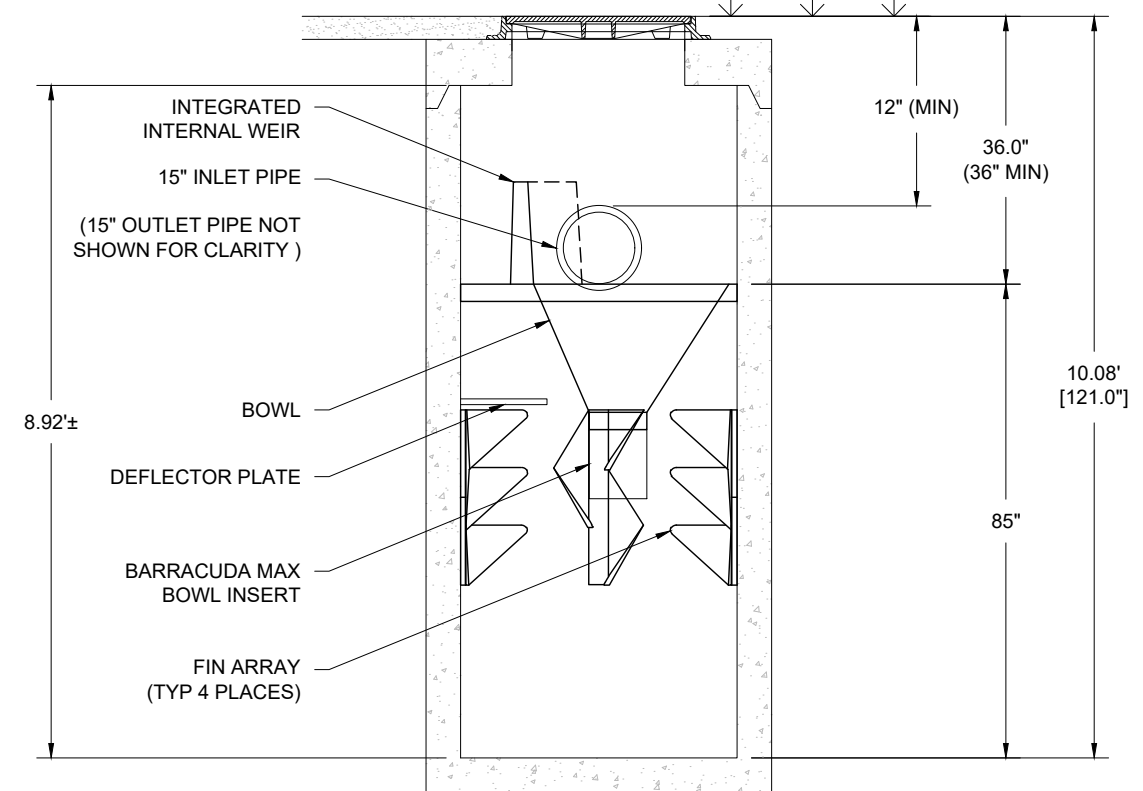
BARRACUDA MAX S4	
UNIT ID	WQU
PEAK FLOW RATE (CFS)	
TREATMENT FLOW RATE (CFS)	1.52



PLAN VIEW
NTS



SECTION VIEW A-A
NTS



SECTION VIEW B-B
NTS

S4 BARRACUDA MAX

CITY - STATE

DATE: 04/08/2022 DRAWN: XXX
PROJECT #: S##### CHECKED: XXX

DATE	DRWN	CHKD	DESCRIPTION

Barracuda® Max
Stormwater Separator

4640 TRUJEMAN BLVD
HILLIARD, OH 43026



NOT TO SCALE

THIS DRAWING HAS BEEN PREPARED BASED ON INFORMATION PROVIDED TO ADS UNDER THE DIRECTION OF THE SITE DESIGN ENGINEER OR OTHER PROJECT REPRESENTATIVE. THE SITE DESIGN ENGINEER SHALL REVIEW THIS DRAWING PRIOR TO CONSTRUCTION. IT IS THE ULTIMATE RESPONSIBILITY OF THE SITE DESIGN ENGINEER TO ENSURE THAT THE PRODUCT(S) DEPICTED AND ALL ASSOCIATED DETAILS MEET ALL APPLICABLE LAWS, REGULATIONS, AND PROJECT REQUIREMENTS. ©2022 ADVANCED DRAINAGE SYSTEMS, INC.