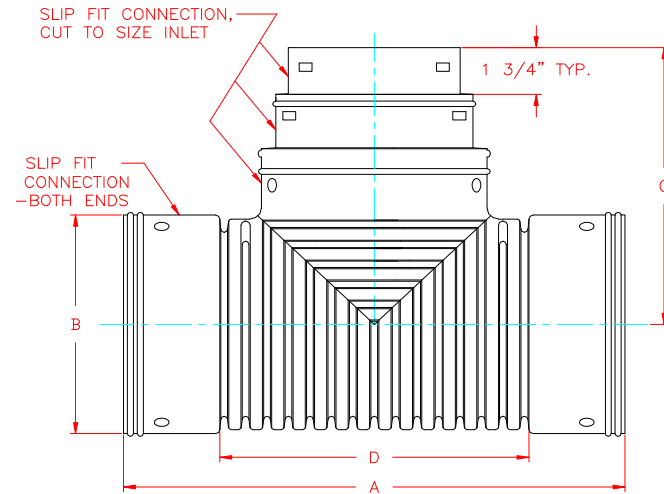
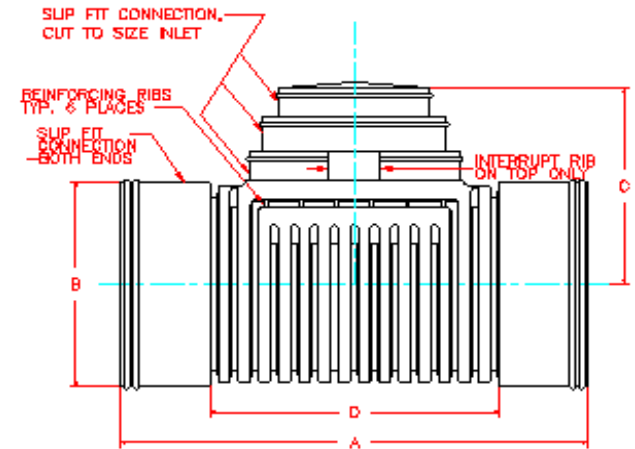


MULTIPLE TEE

PART #	PIPE SIZE	A	B	C	D
0644AA	6 in (150 mm)	11.5 in (292 mm)	7.4 in (187 mm)	9.5 in (241 mm)	5.8 in (146 mm)
0844AA	8 in (200 mm)	18.8 in (476 mm)	9.9 in (251 mm)	10.5 in (267 mm)	13.0 in (330 mm)
1044AA	10 in (250 mm)	21.0 in (533 mm)	12.3 in (311 mm)	11.8 in (298 mm)	15.0 in (381 mm)
1244AA	12 in (300 mm)	27.4 in (695 mm)	15.3 in (387 mm)	14.3 in (362 mm)	20.5 in (521 mm)



PART #	PIPE SIZE	A	B	C	D
1247AA	12 in (300 mm)	26.1 in (664 mm)	14.7 in (373 mm)	15.0 in (381 mm)	20.3 in (514 mm)
1547AA	15 in (375 mm)	29.6 in (753 mm)	18.0 in (457 mm)	18.4 in (467 mm)	22.3 in (565 mm)
1847AA	18 in (450 mm)	35.4 in (899 mm)	21.6 in (549 mm)	20.5 in (521 mm)	24.8 in (629 mm)



NOTE: ALL DIMENSIONS ARE NOMINAL

© 2023 Advanced Drainage Systems, Inc.

 Advanced Drainage Systems, Inc.	DRAWING #:	1035	
	DRAWN BY:	CRM	09.11.06
	APPROVED BY:	JCB	06.25.07
	REVISIONS:	TJR	09/02/11