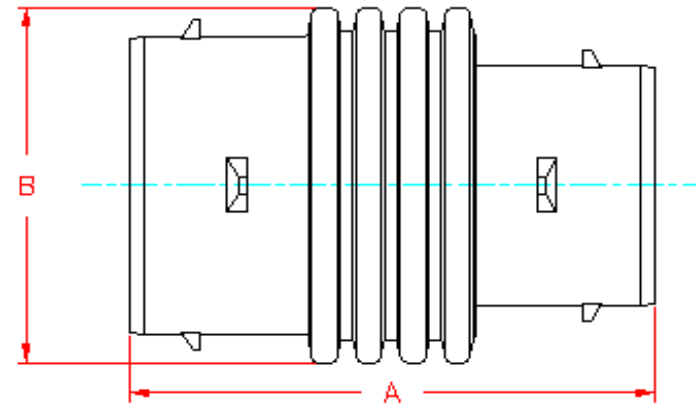


## INTERNAL REDUCING COUPLER

PART #	PIPE SIZE	A	B
0425AA	5 x 4 in (125 x 100 mm)	8.8 in (222 mm)	5.9 in (149 mm)
0526AA	6 x 5 in (150 x 125 mm)	8.8 in (222 mm)	7.0 in (178 mm)



NOTE: ALL DIMENSIONS ARE NOMINAL

© 2023 Advanced Drainage Systems, Inc.

 <b>Advanced Drainage Systems, Inc.</b>	DRAWING #:	1010	
	DRAWN BY:	CRM	09.11.06
	APPROVED BY:	JCB	06.22.07
	REVISIONS:	NJP	06.12.07