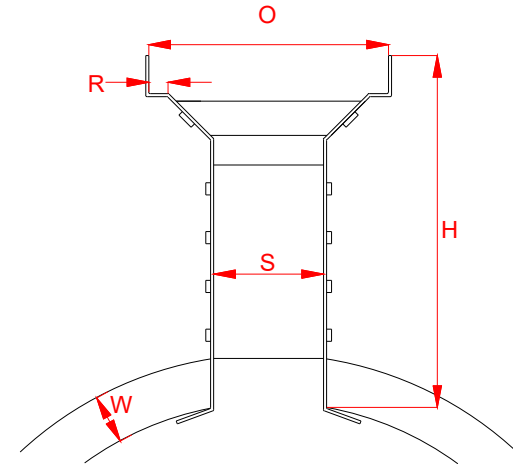
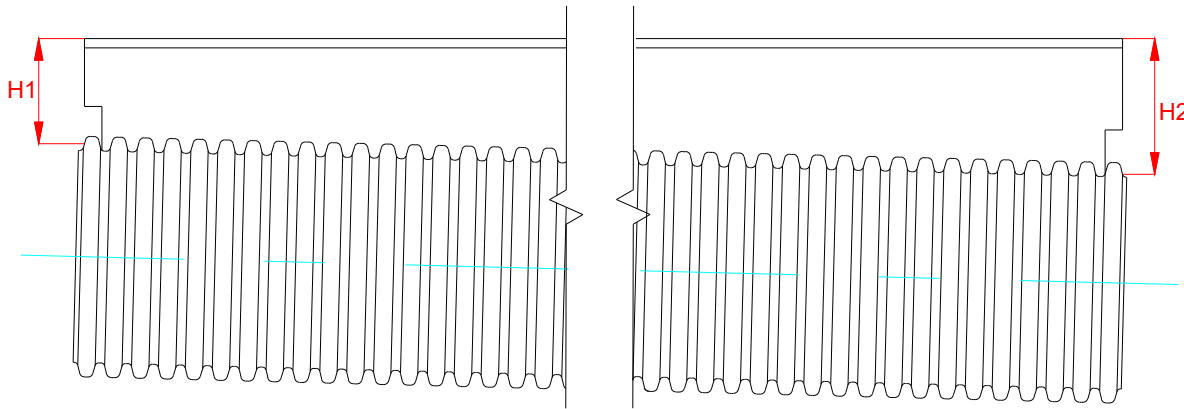


PLAN VIEW



CROSS SECTION



PROFILE VIEW

NOTES:

1. SEE GRATING DETAILS FOR SURFACE TREATMENT OPTIONS
2. H1 AND H2 VARY BASED ON PROJECT SPECIFICATIONS AND MAY NOT RESEMBLE THE IMAGES SHOWN ABOVE.


PIPE Ø, in (mm)	H1-H2, in (mm)	W, in (mm)	O, in (mm)	S, in (mm)	R, in (mm)	PRODUCT #
6 (150)	3.00 - 24.00 (76 - 610)	0.46 (13)	5.00 (127)	2.25 (57)	0.32 (8)	0690DSXL
8 (200)	3.00 - 24.00 (76 - 610)	0.61 (15)				0890DSXL
10 (250)	3.00 - 24.00 (76 - 610)	0.73 (19)				1090DSXL
12 (300)	3.50 - 24.00 (89 - 609)	1.15 (29)				1290DSXL
12 (300)	24.01 - 36.00 (610 - 914)					1290SDTXL
15 (375)	3.75 - 24.00 (95 - 609)	1.30 (33)				1590DSXL
15 (375)	24.01 - 36.00 (610 - 914)					1590SDTXL
18 (450)	4.00 - 24.00 (102 - 609)	1.57 (40)				1890DSXL
18 (450)	24.01 - 36.00 (610 - 914)					1890SDTXL
24 (600)	4.25 - 24.00 (121 - 609)	1.86 (40)				2490DSXL
24 (600)	24.01 - 36.00 (610 - 914)					2490SDTXL
30 (750)	5.00 - 24.00 (127 - 609)	2.55 (65)				3090DSXL
30 (750)	24.01 - 36.00 (610 - 914)					3090SDTXL
36 (900)	5.25 - 24.00 (133 - 609)	2.85 (72)				3690DSXL
36 (900)	24.01 - 36.00 (610 - 914)					3690SDTXL

© 2022 ADS, INC.

1	Updates to dimensions	KJS	05/19/2023	-
REV.	DESCRIPTION	BY	MM/DD/YY	CHK'D

ADVANCED DRAINAGE SYSTEMS, INC. ("ADS") HAS PREPARED THIS DETAIL BASED ON INFORMATION PROVIDED TO ADS. THIS DRAWING IS INTENDED TO DEPICT THE COMPONENTS AS REQUESTED. ADS HAS NOT PERFORMED ANY ENGINEERING OR DESIGN SERVICES FOR THIS PROJECT, NOR HAS ADS INDEPENDENTLY VERIFIED THE INFORMATION SUPPLIED. THE INSTALLATION DETAILS PROVIDED HEREIN ARE GENERAL RECOMMENDATIONS AND ARE NOT SPECIFIC FOR THIS PROJECT. THE DESIGN ENGINEER SHALL REVIEW THESE DETAILS PRIOR TO CONSTRUCTION. IT IS THE DESIGN ENGINEERS RESPONSIBILITY TO ENSURE THE DETAILS PROVIDED HEREIN MEETS OR EXCEEDS THE APPLICABLE NATIONAL, STATE, OR LOCAL REQUIREMENTS AND TO ENSURE THAT THE DETAILS PROVIDED HEREIN ARE ACCEPTABLE FOR THIS PROJECT.

Duraslot XL Pipe
Custom Slot Height
 DRAWING NUMBER: STD-1401B



4640 TRUEMAN BLVD
 HILLIARD, OHIO 43026

DRAWN BY: KJS
 DATE: 04-18-2023
 CHECKED BY:
 SCALE: NTS
 SHEET: 1 OF 1