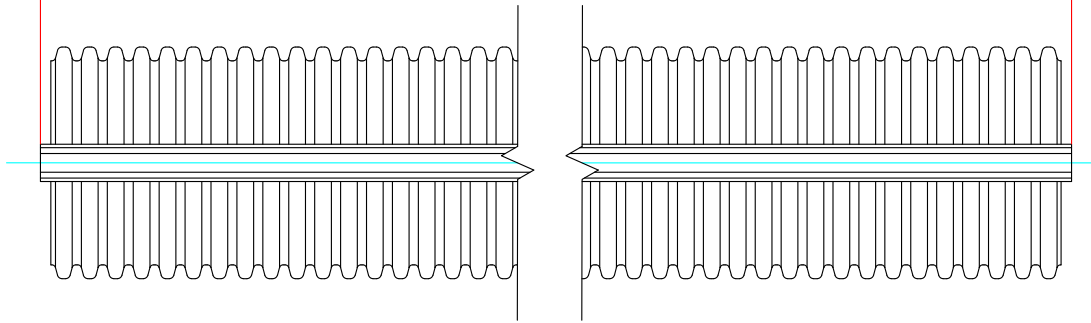
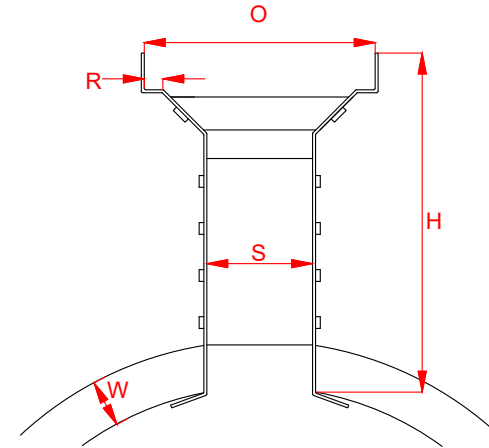


3.3 ft - 10.0 ft (1.0 m - 3.1 m) NOMINAL

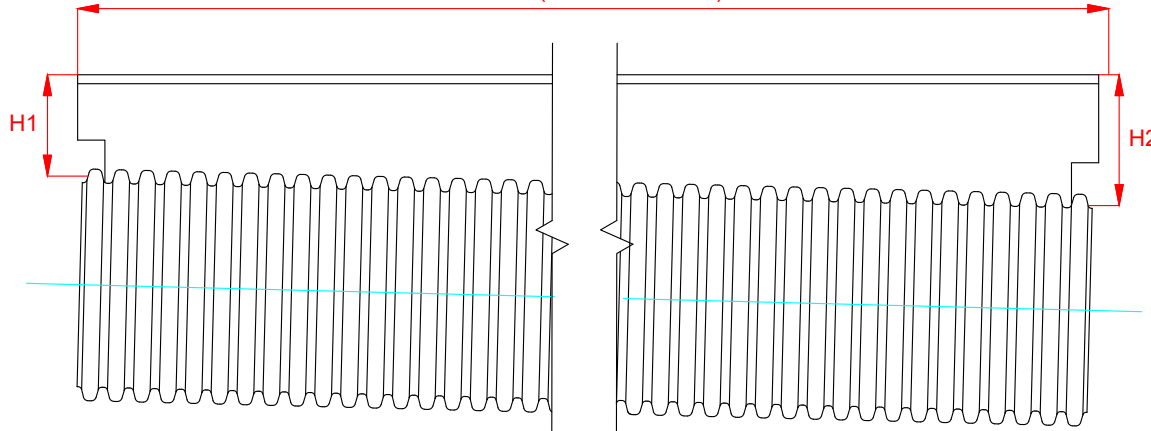


PLAN VIEW



CROSS SECTION

39.5 in - 118.5 in (100 cm - 301 cm) ACTUAL



PROFILE VIEW

PIPE Ø, in (mm)	H1-H2, in (mm)	W, in (mm)	O, in (mm)	S, in (mm)	R, in (mm)	PRODUCT #
6 (150)	3.00 - 24.00 (76 - 610)	0.46 (13)	5.00 (127)	2.25 (57)	0.32 (8)	0690DSXL
8 (200)	3.00 - 24.00 (76 - 610)	0.61 (15)				0890DSXL
10 (250)	3.00 - 24.00 (76 - 610)	0.73 (19)				1090DSXL
12 (300)	3.50 - 24.00 (89 - 609)	1.15 (29)				1290DSXL
12 (300)	24.01 - 36.00 (610 - 914)	1.30 (33)				1290SDTXL
15 (375)	3.75 - 24.00 (95 - 609)					1590DSXL
15 (375)	24.01 - 36.00 (610 - 914)	1.57 (40)				1590SDTXL
18 (450)	4.00 - 24.00 (102 - 609)					1890DSXL
18 (450)	24.01 - 36.00 (610 - 914)	1.86 (47)				1890SDTXL
24 (600)	4.25 - 24.00 (121 - 609)					2490DSXL
24 (600)	24.01 - 36.00 (610 - 914)	2.55 (65)				2490SDTXL
30 (750)	5.00 - 24.00 (127 - 609)					3090DSXL
30 (750)	24.01 - 36.00 (610 - 914)	2.85 (72)				3090SDTXL
36 (900)	5.25 - 24.00 (133 - 609)					3690DSXL
36 (900)	24.01 - 36.00 (610 - 914)					3690SDTXL

**NOTES:**

1. SEE GRATING DETAILS FOR SURFACE TREATMENT OPTIONS
2. H1 AND H2 VARY BASED ON PROJECT SPECIFICATIONS AND MAY NOT RESEMBLE THE IMAGES SHOWN ABOVE.
3. ALL DIMENSIONS ARE FOR REFERENCE ONLY.

© 2025 ADS, INC.

3	Updated Layers & Logo	KJS	01/09/25	-
REV.	DESCRIPTION	BY	MM/DD/YY	CHK'D

ADVANCED DRAINAGE SYSTEMS, INC. ("ADS") HAS PREPARED THIS DETAIL BASED ON INFORMATION PROVIDED TO ADS. THIS DRAWING IS INTENDED TO DEPICT THE COMPONENTS AS REQUESTED. ADS HAS NOT PERFORMED ANY ENGINEERING OR DESIGN SERVICES FOR THIS PROJECT, NOR HAS ADS INDEPENDENTLY VERIFIED THE INFORMATION SUPPLIED. THE INSTALLATION DETAILS PROVIDED HEREIN ARE GENERAL RECOMMENDATIONS AND ARE NOT SPECIFIC FOR THIS PROJECT. THE DESIGN ENGINEER SHALL REVIEW THESE DETAILS PRIOR TO CONSTRUCTION. IT IS THE DESIGN ENGINEERS RESPONSIBILITY TO ENSURE THE DETAILS PROVIDED HEREIN MEETS OR EXCEEDS THE APPLICABLE NATIONAL, STATE, OR LOCAL REQUIREMENTS AND TO ENSURE THAT THE DETAILS PROVIDED HEREIN ARE ACCEPTABLE FOR THIS PROJECT.

**Duraslot XL Pipe**  
**Custom Slot Height**  
 DRAWING NUMBER: STD-1401B



4640 TRUEMAN BLVD  
 HILLIARD, OHIO 43026

DRAWN BY:	KJS
DATE:	04-18-2023
CHK'D BY:	-
SCALE:	NTS
SHEET:	1 OF 1