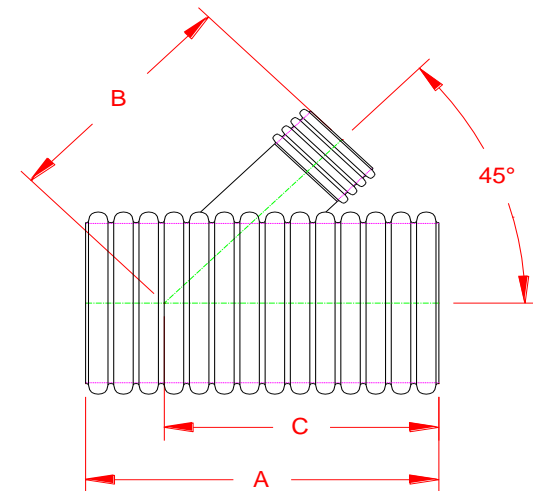


HP STORM DUAL WALL FABRICATED REDUCING 45° WYES
15" X 12" - 36" X 18" DIAMETER (PLAIN END)

PART #	PIPE SIZE	A	B	C	JOINT
1584ANP	15 x 12 in (375 x 300 mm)	41.9 in (1065 mm)	27.8 in (706 mm)	29.5 in (749 mm)	ST
1884ANP	18 x 12 in (450 x 300 mm)	42.3 in (1074 mm)	32.0 in (813 mm)	32.0 in (813 mm)	ST
1885ANP	18 x 15 in (450 x 375 mm)	47.5 in (1207 mm)	38.3 in (973 mm)	34.7 in (881 mm)	ST
2484ANP	24 x 12 in (600 x 300 mm)	47.7 in (1212 mm)	36.9 in (937 mm)	37.5 in (953 mm)	ST
3084ANP	30 x 12 in (750 x 300 mm)	51.5 in (1307 mm)	41.3 in (1049 mm)	44.3 in (1125 mm)	ST
3085ANP	30 x 15 in (750 x 375 mm)	59.7 in (1516 mm)	45.4 in (1153 mm)	48.5 in (1232 mm)	ST
3684ANP	36 x 12 in (900 x 300 mm)	63.0 in (1599 mm)	46.8 in (1189 mm)	52.4 in (1331 mm)	ST
3685ANP	36 x 15 in (900 x 375 mm)	68.2 in (1733 mm)	49.8 in (1265 mm)	54.0 in (1372 mm)	ST
3686ANP	36 x 18 in (900 x 450 mm)	73.5 in (1866 mm)	52.2 in (1326 mm)	57.1 in (1450 mm)	ST



NOTE: ALL FITTINGS DIMENSIONS ARE FOR REFERENCE ONLY

© 2021 Advanced Drainage Systems, Inc.

 Advanced Drainage Systems, Inc.	DRAWING #:	HP 10200
	DRAWN BY:	TJR 10/13/2009
	APPROVED BY:	
	REVISIONS:	TJR 5/13/2014