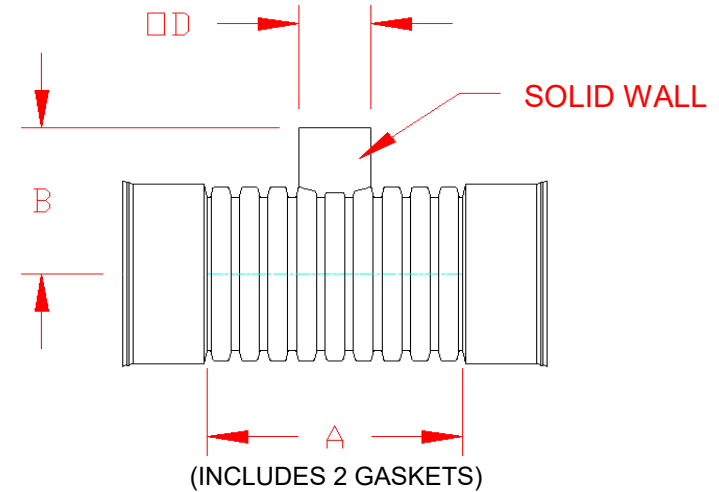


## REDUCING TAP TEE (ST/WT CONNECTION)

PART #	PIPE SIZE	A	B	OD
0660AN65BS	6 x 4 in (150 x 100 mm)	8.5 in (216 mm)	9.5 in (241 mm)	4.3 in (108 mm)
0860AN65BS	8 x 4 in (200 x 100 mm)	11.5 in (293 mm)	11.0 in (279 mm)	4.3 in (108 mm)
0861AN65BS	8 x 6 in (200 x 150 mm)	11.5 in (293 mm)	10.6 in (270 mm)	6.3 in (159 mm)
1060AN65BS	10 x 4 in (250 x 100 mm)	15.1 in (384 mm)	12.0 in (305 mm)	4.3 in (108 mm)
1061AN65BS	10 x 6 in (250 x 150 mm)	15.1 in (384 mm)	12.0 in (305 mm)	6.3 in (159 mm)
1062AN65BS	10 x 8 in (250 x 200 mm)	15.1 in (384 mm)	12.0 in (305 mm)	8.6 in (218 mm)
1260AN65BS	12 x 4 in (300 x 100 mm)	19.5 in (496 mm)	13.1 in (333 mm)	4.3 in (108 mm)
1261AN65BS	12 x 6 in (300 x 150 mm)	19.5 in (496 mm)	13.1 in (333 mm)	6.3 in (159 mm)
1262AN65BS	12 x 8 in (300 x 200 mm)	19.5 in (496 mm)	13.1 in (333 mm)	8.6 in (218 mm)
1560AN65BS	15 x 4 in (375 x 100 mm)	23.6 in (600 mm)	14.8 in (375 mm)	4.3 in (108 mm)
1561AN65BS	15 x 6 in (375 x 150 mm)	23.6 in (600 mm)	14.8 in (375 mm)	6.3 in (159 mm)
1562AN65BS	15 x 8 in (375 x 200 mm)	23.6 in (600 mm)	14.8 in (375 mm)	8.6 in (218 mm)



NOTE: ALL FITTINGS DIMENSIONS ARE FOR REFERENCE ONLY

© 2023 Advanced Drainage Systems, Inc.

 <b>Advanced Drainage Systems, Inc.</b>	DRAWING #:	6100	
	DRAWN BY:	JCB	05.07.07
	APPROVED BY:	JCB	06.28.07
	REVISIONS:	NJP	06.20.07