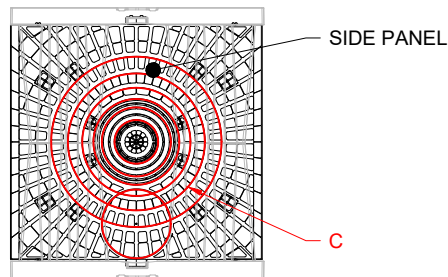
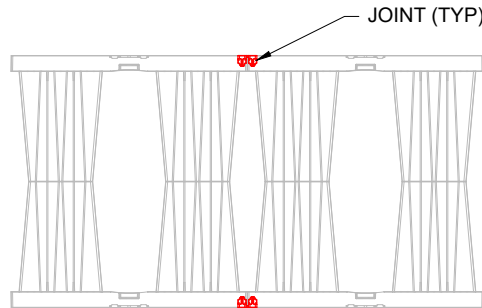
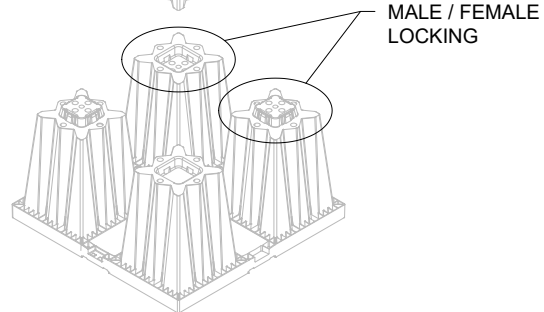
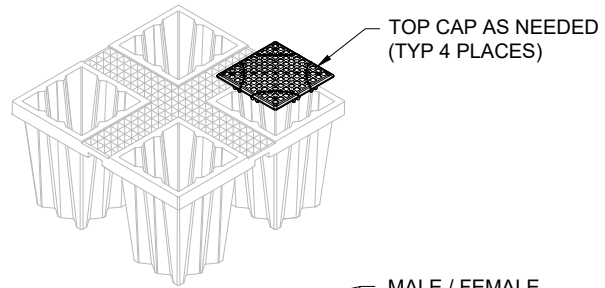
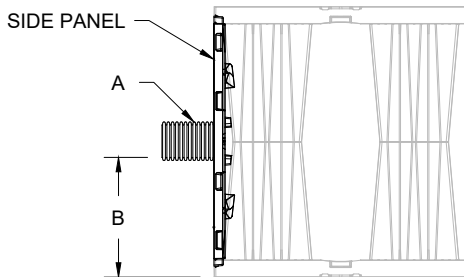
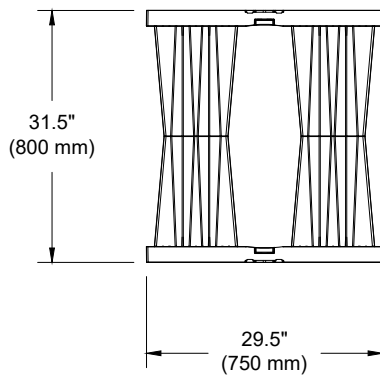
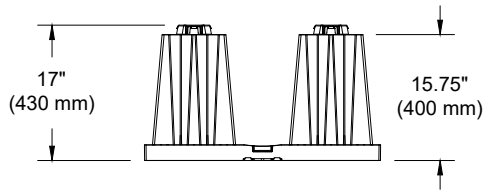
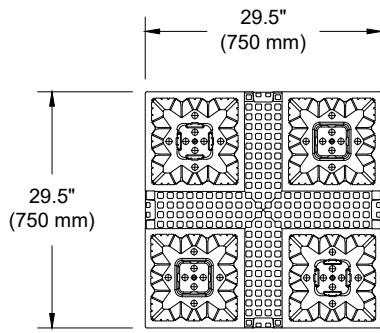


AQUABOX FULL MODULE TECHNICAL SPECIFICATION

NTS



TECHNICAL SPECIFICATIONS
AQUABOX FULL MODULE

DATE: 08/20/24
DRAWING #: 771-011
DRAWN: SMW
CHECKED: JLM

Aquabox
Modular Stormwater Management System

4640 TRUEMAN BLVD
HILLIARD, OH 43026



THIS DRAWING HAS BEEN PREPARED BASED ON INFORMATION PROVIDED TO ADS UNDER THE DIRECTION OF THE SITE DESIGN ENGINEER OR OTHER PROJECT REPRESENTATIVE. THE SITE DESIGN ENGINEER SHALL REVIEW THIS DRAWING PRIOR TO CONSTRUCTION. IT IS THE ULTIMATE RESPONSIBILITY OF THE SITE DESIGN ENGINEER TO ENSURE THAT THE PRODUCT(S) DEPICTED AND ALL ASSOCIATED DETAILS MEET ALL APPLICABLE LAWS, REGULATIONS, AND PROJECT REQUIREMENTS.

STUB CONNECTION	STUB (A)	INVERT (B)	MARKED CUT HOLE (C)
4" ADS N-12 (CONCENTRIC)	4" (100 mm)	13.1" (334 mm)	125 mm
6" ADS N-12 (ECCENTRIC)	6" (150 mm)	2.5" (63 mm)	200 mm
		20.3 (516 mm)	
6" ADS N-12 (CONCENTRIC)	6" (150 mm)	11.9" (300 mm)	200 mm
8" ADS N-12	8" (200 mm)	11.1" (282 mm)	250 mm
10" ADS N-12*	10" (250 mm)	10.0" (253 mm)	315 mm
12" ADS N-12*	12" (300 mm)	8.8" (223 mm)	400 mm
15" ADS N-12*	15" (375 mm)	7.8" (198 mm)	400 mm
18" ADS N-12*	18" (450 mm)	5.8" (147 mm)	500 mm

NOTE: ALL DIMENSIONS ARE NOMINAL
*10" - 18" PIPE ENDS REQUIRE FIELD CUT PER DETAIL