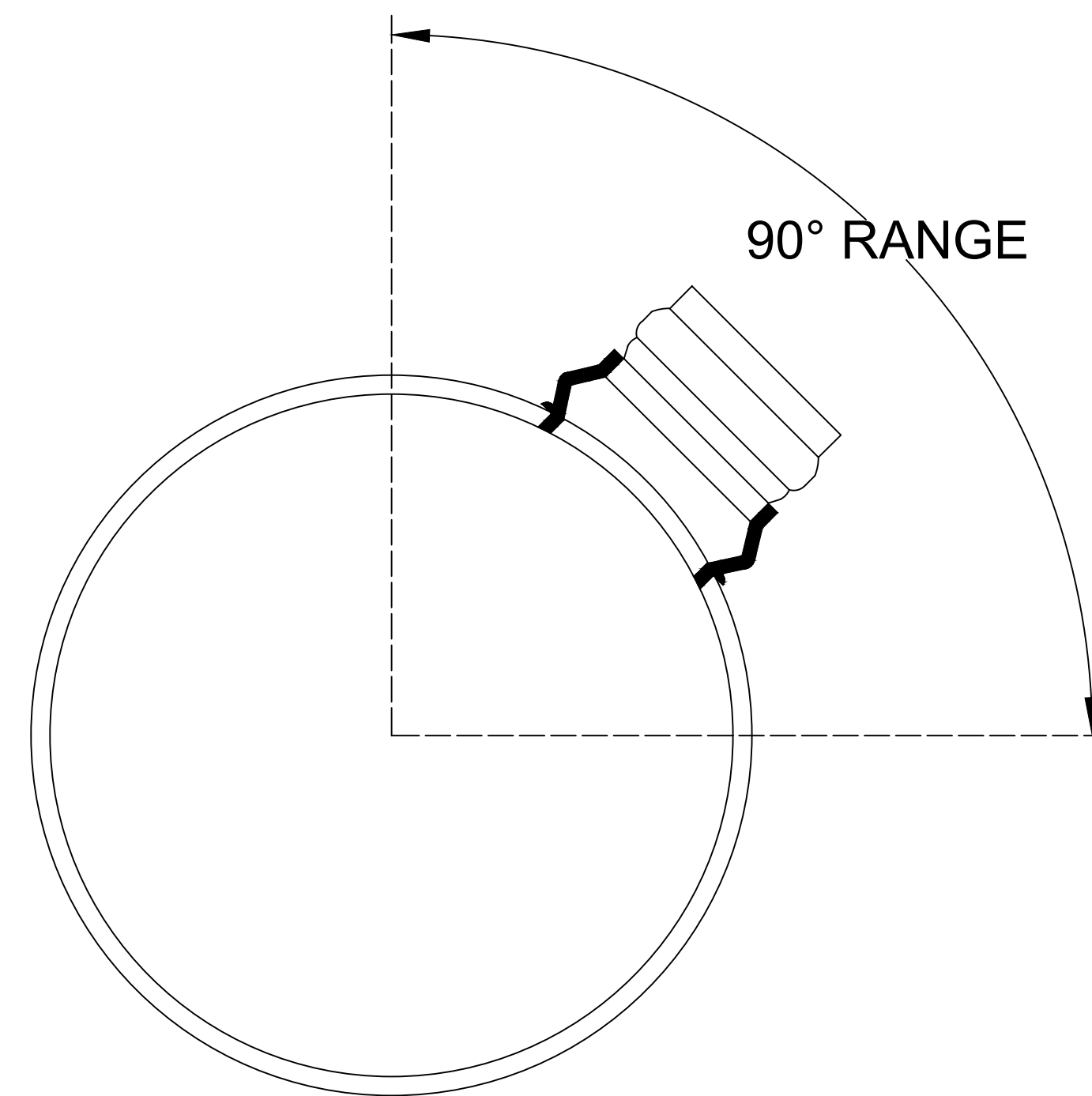
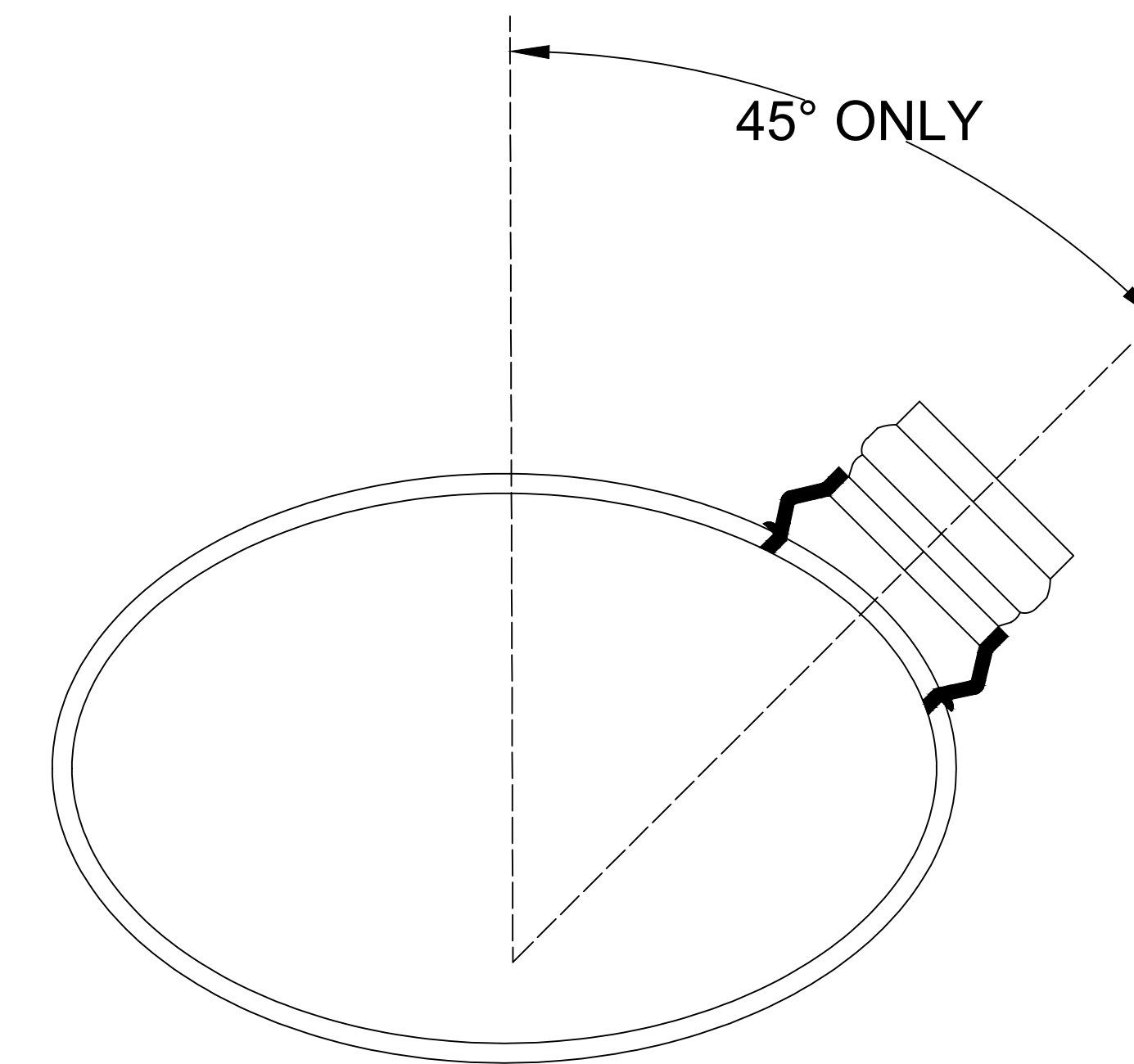


INSERTA TEE® INTO CONCRETE PIPE APPLICATIONS

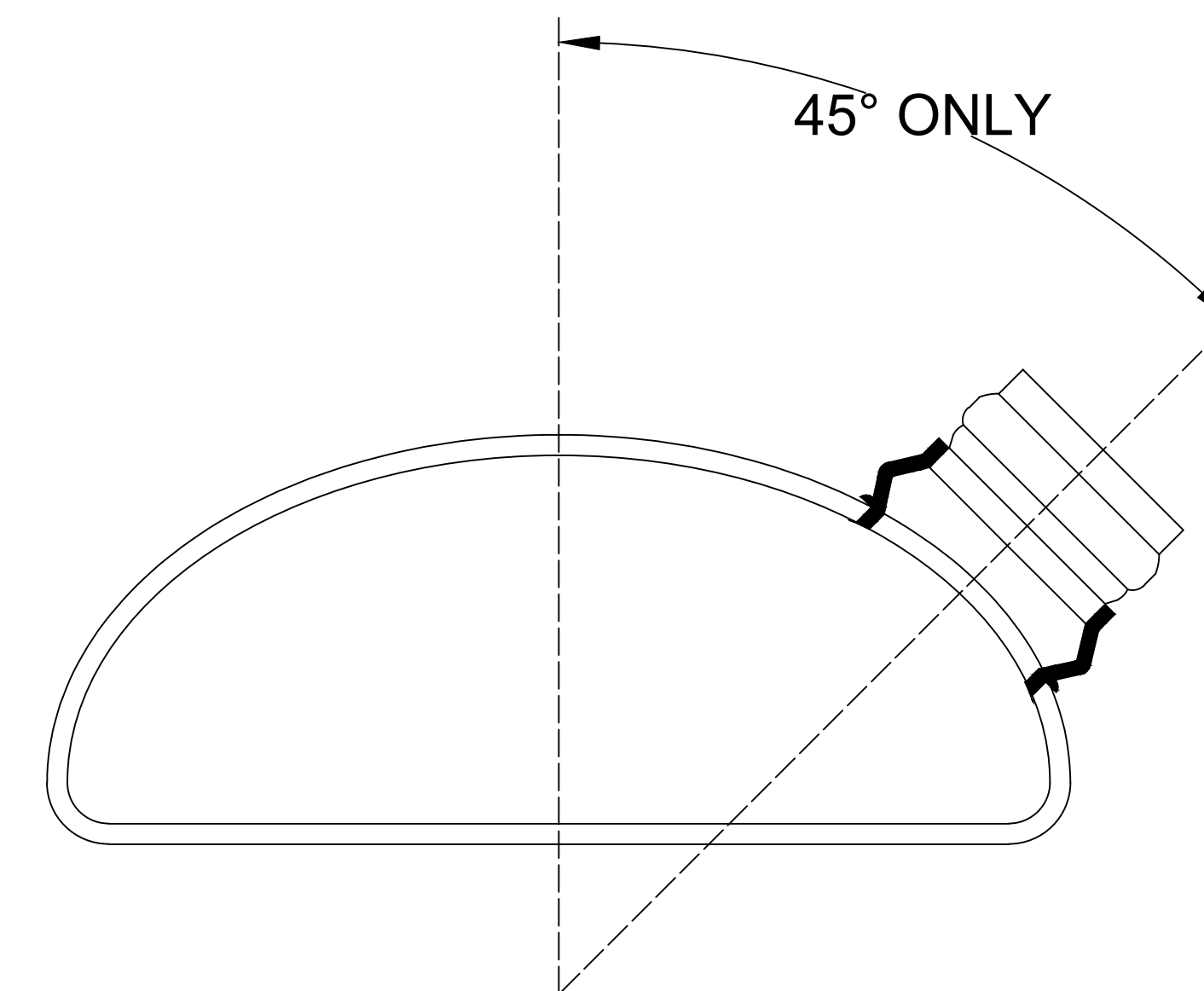
INSERTA TEE INTO CIRCULAR CONCRETE PIPE



For circular pipe, installation angle of Inserta Tee can range anywhere between 0° and 90°, with typical installations at a 45° angle as seen in detail above.



INSERTA TEE INTO ELLIPTICAL CONCRETE PIPE



INSERTA TEE INTO ARCHED CONCRETE PIPE

For elliptical and arched pipe, installation angle must be at 45° as seen in details above.

LATERAL SIZING FROM 2" THROUGH 24" (REFERENCE STD-1104 THROUGH STD-1110 FOR HUB TYPES). INSERTA TEE FITTING SHALL BE INSTALLED USING THE RECOMMENDED INSERTA TEE HOLE SAW. REFERENCE STD-1102 FOR MORE INFORMATION.

NOTE: FOR INSTALLATION INSTRUCTIONS, REFER TO DETAIL STD-1100. FOR PROTRUSION INFORMATION, REFER TO DETAIL STD-1101. FOR HOLE SAW INFORMATION, REFER TO DETAIL STD-1102.

ADVANCED DRAINAGE SYSTEMS, INC. ("ADS") HAS PREPARED THIS DETAIL BASED ON INFORMATION PROVIDED TO ADS. THIS DRAWING IS INTENDED TO DEPICT THE COMPONENTS AS REQUESTED. ADS HAS NOT PERFORMED ANY ENGINEERING OR DESIGN SERVICES FOR THIS PROJECT, NOR HAS ADS INDEPENDENTLY VERIFIED THE INFORMATION SUPPLIED. THE INSTALLATION DETAILS PROVIDED HEREIN ARE GENERAL RECOMMENDATIONS AND ARE NOT SPECIFIC FOR THIS PROJECT. THE DESIGN ENGINEER SHALL REVIEW THESE DETAILS PRIOR TO CONSTRUCTION. IT IS THE DESIGN ENGINEERS RESPONSIBILITY TO ENSURE THE DETAILS PROVIDED HEREIN MEETS OR EXCEEDS THE APPLICABLE NATIONAL, STATE, OR LOCAL REQUIREMENTS AND TO ENSURE THAT THE DETAILS PROVIDED HEREIN ARE ACCEPTABLE FOR THIS PROJECT.

INSERTA TEE INTO CONCRETE PIPE APPLICATIONS

DRAWING NUMBER STD-1114



4640 TRUEMAN BLVD
HILLIARD, OH 43026

DRAWN BY:	HAK
DATE:	07/19/23
OK'S BY:	ENG
SCALE:	NTS
SHEET:	1