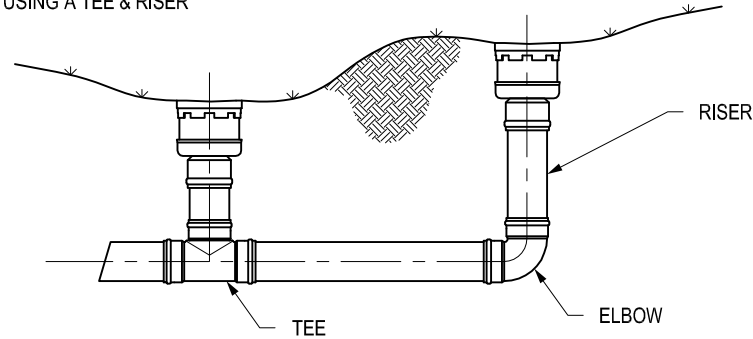


# WHEN ARE INLINE DRAINS USED?

- 2708AG \_\_ X
- 2710AG \_\_ X
- 2712AG \_\_ X
- 2715AG \_\_ X
- 2718AG \_\_ X
- 2724AG \_\_ X
- 2730AG \_\_ X

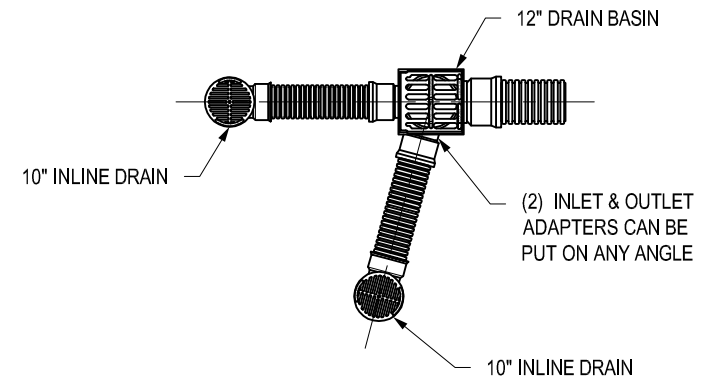
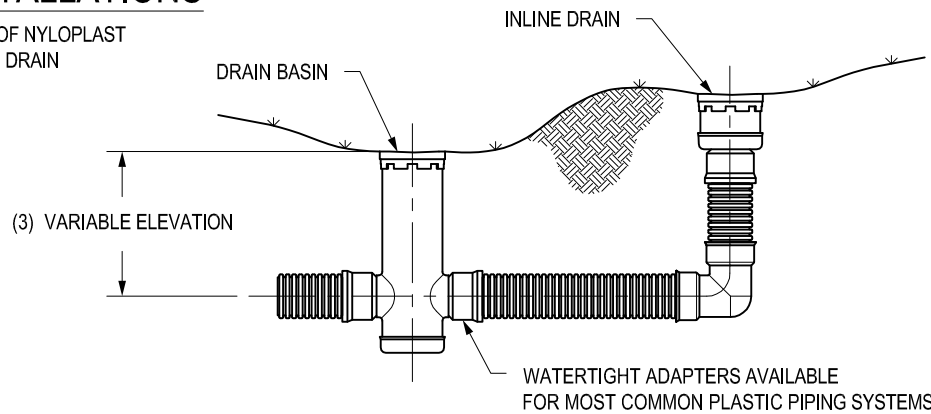
1: TO ENTER AN EXISTING LINE USING A TEE & RISER



2: AT THE BEGINNING OF A DRAIN LINE USING AN ELBOW & RISER

# TYPICAL INSTALLATIONS

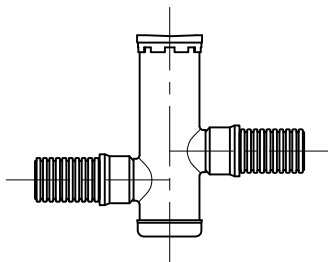
TYPICAL INSTALLATION OF NYLOPLAST DRAIN BASIN AND INLINE DRAIN



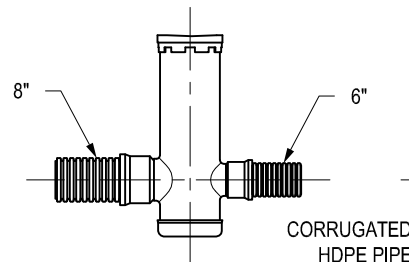
# WHEN ARE DRAIN BASINS USED?

- 2808AG \_\_ X
- 2810AG \_\_ X
- 2812AG \_\_ X
- 2815AG \_\_ X
- 2818AG \_\_ X
- 2824AG \_\_ X
- 2830AG \_\_ X
- 2836AG \_\_ X

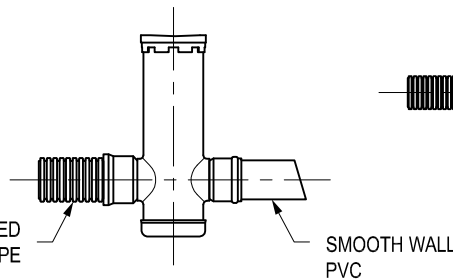
1: TO CHANGE ELEVATION



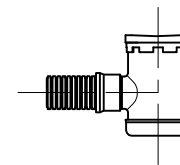
2: TO CHANGE PIPE DIAMETER



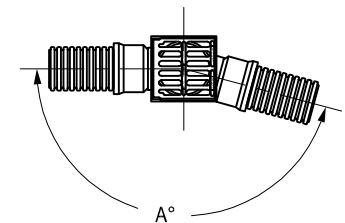
3: TO CHANGE PIPE TYPE



4: FOR SHALLOW APPLICATIONS



5: TO CHANGE DIRECTION



- 1 - STRUCTURES & ADAPTERS AVAILABLE IN SIZES 8" - 36"
- 2 - ADAPTERS CAN BE MOUNTED ON ANY ANGLE 0° TO 360°, TO DETERMINE MINIMUM ANGLE BETWEEN ADAPTERS SEE DRAWING NO. 7001-110-012
- 3 - DRAIN BASIN TO BE CUSTOM MANUFACTURED ACCORDING TO PLAN DETAILS RISERS ARE NEEDED FOR BASINS OVER 84" DUE TO SHIPPING RESTRICTIONS SEE DRAWING NO. 7001-110-065
- 4 - REDUCING CONES DOWN TO 30" DIAMETER WILL BE REQUIRED FOR 36" DRAIN BASINS.

THIS PRINT DISCLOSES SUBJECT MATTER IN WHICH NYLOPLAST HAS PROPRIETARY RIGHTS. THE RECEIPT OR POSSESSION OF THIS PRINT DOES NOT CONFER, TRANSFER, OR LICENSE THE USE OF THE DESIGN OR TECHNICAL INFORMATION SHOWN HEREIN REPRODUCTION OF THIS PRINT OR ANY INFORMATION CONTAINED HEREIN, OR MANUFACTURE OF ANY ARTICLE HEREFROM, FOR THE DISCLOSURE TO OTHERS IS FORBIDDEN, EXCEPT BY SPECIFIC WRITTEN PERMISSION FROM NYLOPLAST.

©2010 NYLOPLAST

DRAWN BY	AWA	MATERIAL
DATE	8-10-00	
REVISED BY	NMH	PROJECT NO./NAME
DATE	11-2-18	
DWG SIZE	A	SCALE 1:40 SHEET 1 OF 1

	3130 VERONA AVE BUFORD, GA 30518 PHN (770) 932-2443 FAX (770) 932-2490 www.nyloplast-us.com
	TITLE
8 IN - 36 IN TYPICAL INSTALLATION OPTIONS	
DWG NO.	7001-110-042 REV E