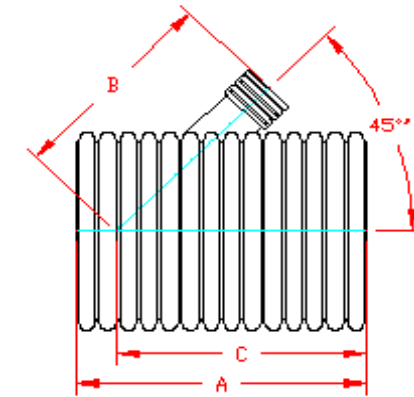
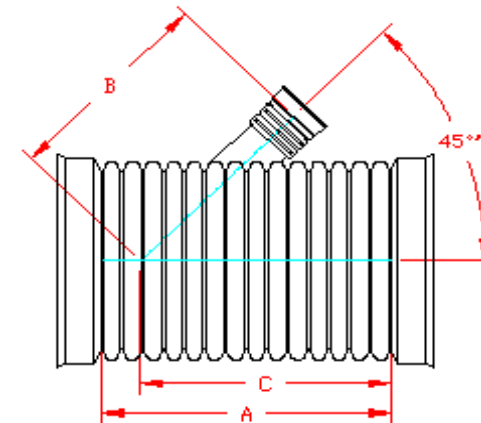


DUAL WALL FABRICATED REDUCING WYES
30"×4" - 30"×10" DIAMETER

PART #	PIPE SIZE	A	B	C	JOINT
3080AN	30 x 4 in (750 x 100 mm)	41.2 in (1046 mm)	32.9 in (836 mm)	38.2 in (969 mm)	*
3080AN65B	30 x 4 in (750 x 100 mm)	33.0 in (837 mm)	32.9 in (836 mm)	34.0 in (864 mm)	WT
3081AN	30 x 6 in (750 x 150 mm)	45.3 in (1151 mm)	35.0 in (889 mm)	40.2 in (1021 mm)	*
3081AN65B	30 x 6 in (750 x 150 mm)	37.1 in (942 mm)	35.0 in (889 mm)	36.1 in (917 mm)	WT
3082AN	30 x 8 in (750 x 200 mm)	49.4 in (1256 mm)	37.1 in (942 mm)	42.3 in (1074 mm)	*
3082AN65B	30 x 8 in (750 x 200 mm)	41.2 in (1046 mm)	37.1 in (942 mm)	38.2 in (969 mm)	WT
3083AN	30 x 10 in (750 x 250 mm)	49.4 in (1256 mm)	38.6 in (980 mm)	42.3 in (1074 mm)	*
3083AN65B	30 x 10 in (750 x 250 mm)	41.2 in (1046 mm)	38.6 in (980 mm)	38.2 in (969 mm)	WT



PLAIN END



WT (INCLUDES 3 GASKETS)

* = PLAIN END
 ST = SOIL TIGHT
 WT = WATER TIGHT

NOTE: ALL FITTINGS DIMENSIONS ARE FOR REFERENCE ONLY

© 2021 Advanced Drainage Systems, Inc.



DRAWING #:	2330	
DRAWN BY:	JCB	06.14.06
APPROVED BY:	JCB	06.26.07
REVISIONS:	TJR	05.30.08