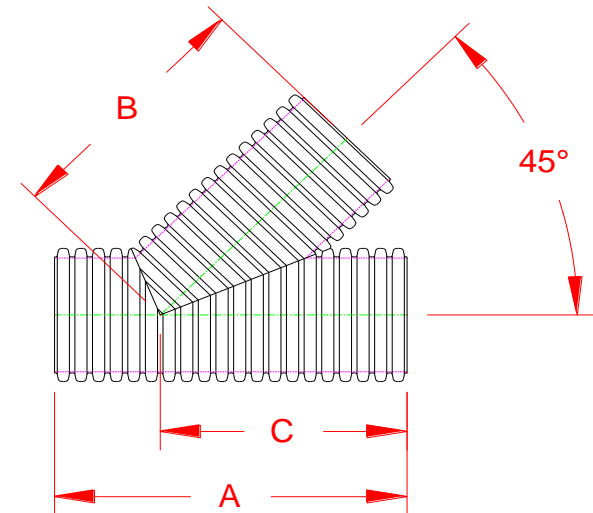


**HP STORM DUAL WALL FABRICATED 45° WYES  
12" - 18" DIAMETER (PLAIN END)**

PART #	PIPE SIZE	A	B	C	JOINT
1284ANP	12 in (300 mm)	39.2 in (996 mm)	27.4 in (696 mm)	27.4 in (696 mm)	ST
1585ANP	15 in (375 mm)	49.8 in (1265 mm)	34.1 in (865 mm)	34.1 in (866 mm)	ST
1886ANP	18 in (450 mm)	52.9 in (1343 mm)	37.0 in (940 mm)	37.0 in (940 mm)	ST



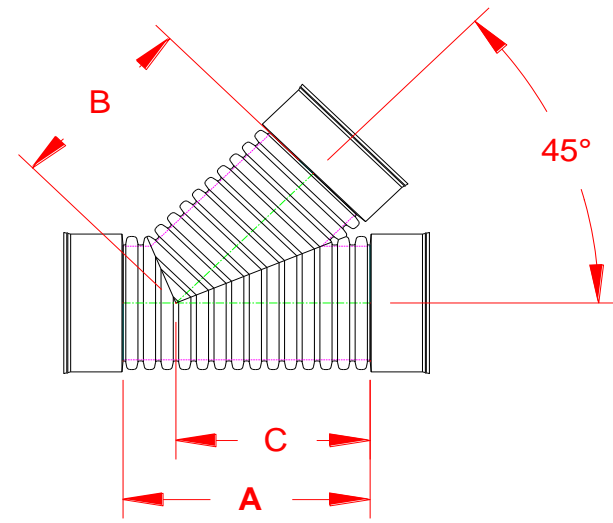
NOTE: ALL FITTINGS DIMENSIONS ARE FOR REFERENCE ONLY

© 2021 Advanced Drainage Systems, Inc.

	DRAWING #:	HP 10000
	DRAWN BY:	TJR 10/14/2009
	APPROVED BY:	
	REVISIONS:	TJR 3/24/2016

**HP STORM DUAL WALL FABRICATED 45° WYES  
12" - 18" DIAMETER (BELL\BELL)**

PART #	PIPE SIZE	A	B	C	JOINT
1284AN65BP	12 in (300 mm)	27.4 in (696 mm)	21.6 in (549 mm)	21.6 in (549 mm)	WT
1585AN65BP	15 in (375 mm)	34.1 in (865 mm)	26.2 in (665 mm)	26.2 in (665 mm)	WT
1886AN65BP	18 in (450 mm)	37.0 in (940 mm)	29.1 in (738 mm)	29.1 in (738 mm)	WT



WT (INCLUDES 3 GASKETS)

NOTE: ALL FITTINGS DIMENSIONS ARE FOR REFERENCE ONLY

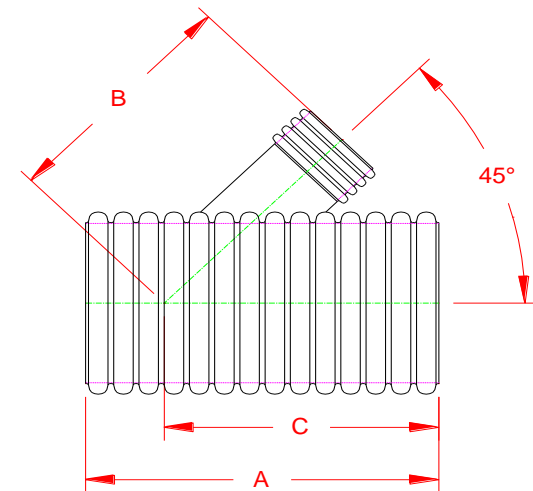
© 2021 Advanced Drainage Systems, Inc.



DRAWING #:	HP 10100	
DRAWN BY:	TJR	10/14/2009
APPROVED BY:		
REVISIONS:	TJR	3/24/2016

**HP STORM DUAL WALL FABRICATED REDUCING 45° WYES**  
**15" X 12" - 36" X 18" DIAMETER (PLAIN END)**

PART #	PIPE SIZE	A	B	C	JOINT
1584ANP	15 x 12 in (375 x 300 mm)	41.9 in (1065 mm)	27.8 in (706 mm)	29.5 in (749 mm)	ST
1884ANP	18 x 12 in (450 x 300 mm)	42.3 in (1074 mm)	32.0 in (813 mm)	32.0 in (813 mm)	ST
1885ANP	18 x 15 in (450 x 375 mm)	47.5 in (1207 mm)	38.3 in (973 mm)	34.7 in (881 mm)	ST
2484ANP	24 x 12 in (600 x 300 mm)	47.7 in (1212 mm)	36.9 in (937 mm)	37.5 in (953 mm)	ST
3084ANP	30 x 12 in (750 x 300 mm)	51.5 in (1307 mm)	41.3 in (1049 mm)	44.3 in (1125 mm)	ST
3085ANP	30 x 15 in (750 x 375 mm)	59.7 in (1516 mm)	45.4 in (1153 mm)	48.5 in (1232 mm)	ST
3684ANP	36 x 12 in (900 x 300 mm)	63.0 in (1599 mm)	46.8 in (1189 mm)	52.4 in (1331 mm)	ST
3685ANP	36 x 15 in (900 x 375 mm)	68.2 in (1733 mm)	49.8 in (1265 mm)	54.0 in (1372 mm)	ST
3686ANP	36 x 18 in (900 x 450 mm)	73.5 in (1866 mm)	52.2 in (1326 mm)	57.1 in (1450 mm)	ST



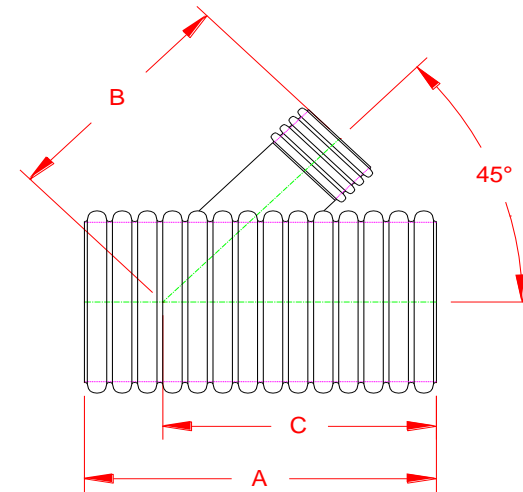
NOTE: ALL FITTINGS DIMENSIONS ARE FOR REFERENCE ONLY

© 2021 Advanced Drainage Systems, Inc.

 Advanced Drainage Systems, Inc.	DRAWING #:	HP 10200
	DRAWN BY:	TJR 10/13/2009
	APPROVED BY:	
	REVISIONS:	TJR 5/13/2014

**HP STORM DUAL WALL FABRICATED REDUCING 45° WYES  
42" X 12" - 60" X 24" DIAMETER (PLAIN END)**

PART #	PIPE SIZE	A	B	C	JOINT
4284ANP	42 x 12 in (1050 x 300 mm)	61.7 in (1566 mm)	51.0 in (1295 mm)	55.0 in (1397 mm)	ST
4285ANP	42 x 15 in (1050 x 375 mm)	66.8 in (1697 mm)	54.5 in (1385 mm)	57.9 in (1469 mm)	ST
4286ANP	42 x 18 in (1050 x 450 mm)	71.9 in (1827 mm)	56.9 in (1446 mm)	58.3 in (1481 mm)	ST
4884ANP	48 x 12 in (1200 x 300 mm)	62.8 in (1595 mm)	55.2 in (1402 mm)	58.3 in (1481 mm)	ST
4885ANP	48 x 15 in (1200 x 375 mm)	68.0 in (1728 mm)	58.6 in (1489 mm)	60.9 in (1547 mm)	ST
4886ANP	48 x 18 in (1200 x 450 mm)	73.3 in (1861 mm)	61.0 in (1550 mm)	63.6 in (1615 mm)	ST
4887ANP	48 x 24 in (1200 x 600 mm)	83.7 in (2127 mm)	66.3 in (1684 mm)	68.8 in (1748 mm)	ST
6084ANP	60 x 12 in (1500 x 300 mm)	72.0 in (1829 mm)	64.2 in (1631 mm)	69.2 in (1758 mm)	ST
6085ANP	60 x 15 in (1500 x 375 mm)	78.0 in (1981 mm)	67.5 in (1713 mm)	72.2 in (1834 mm)	ST
6086ANP	60 x 18 in (1500 x 450 mm)	78.0 in (1981 mm)	69.8 in (1772 mm)	72.2 in (1834 mm)	ST
6087ANP	60 x 24 in (1500 x 600 mm)	90.0 in (2286 mm)	75.1 in (1908 mm)	78.2 in (1986 mm)	ST



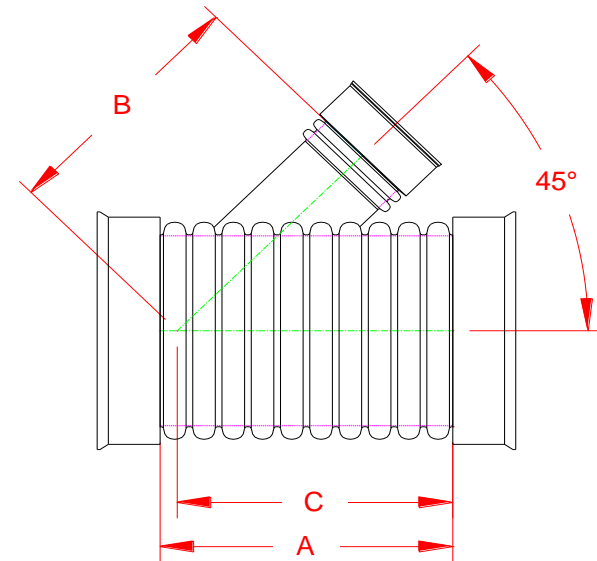
NOTE: ALL FITTINGS DIMENSIONS ARE FOR REFERENCE ONLY

© 2021 Advanced Drainage Systems, Inc.

 Advanced Drainage Systems, Inc.	DRAWING #:	HP 10300
	DRAWN BY:	TJR 10/13/2009
	APPROVED BY:	
	REVISIONS:	TJR 5/13/2014

**HP STORM DUAL WALL FABRICATED REDUCING 45° WYES**  
**15" X 12" - 24" X 12" DIAMETER (BELLBELL)**


PART #	PIPE SIZE	A	B	C	JOINT
1584AN65BP	15 x 12 in (375 x 300 mm)	36.7 in (932 mm)	27.8 in (706 mm)	26.9 in (683 mm)	WT
1884AN65BP	18 x 12 in (450 x 300 mm)	37.0 in (940 mm)	30.4 in (772 mm)	29.4 in (747 mm)	WT
1885AN65BP	18 x 15 in (450 x 375 mm)	42.3 in (1074 mm)	35.7 in (907 mm)	32.0 in (813 mm)	WT
2484AN65BP	24 x 12 in (600 x 300 mm)	41.3 in (1050 mm)	35.0 in (889 mm)	34.4 in (874 mm)	WT



WT (INCLUDES 3 GASKETS)

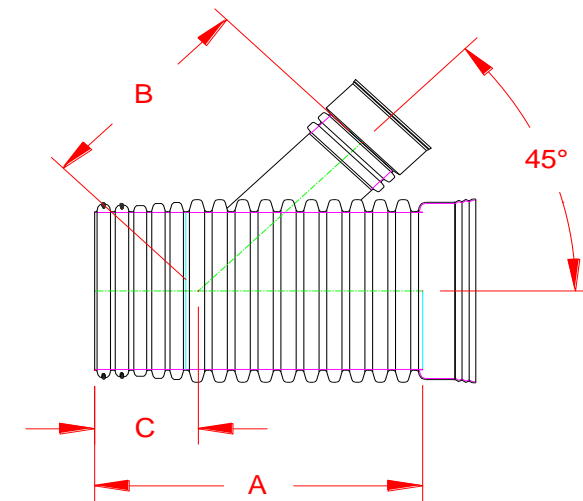
NOTE: ALL FITTINGS DIMENSIONS ARE FOR REFERENCE ONLY

© 2021 Advanced Drainage Systems, Inc.

 Advanced Drainage Systems, Inc.	DRAWING #:	HP 10400
	DRAWN BY:	TJR 10/14/2009
	APPROVED BY:	
	REVISIONS:	TJR 5/13/2014

**HP STORM DUAL WALL FABRICATED REDUCING 45° WYES  
30" X 12" - 60" X 24" DIAMETER (IB BELL\IB SPIGOT\BELL)**

PART #	PIPE SIZE	A	B	C	JOINT
3084AN65BP	30 x 12 in (750 x 300 mm)	53.0 in (1346 mm)	39.4 in (1000 mm)	15.2 in (387 mm)	WT
3085AN65BP	30 x 15 in (750 x 375 mm)	57.0 in (1447 mm)	40.1 in (1020 mm)	18.0 in (458 mm)	WT
3684AN65BP	36 x 12 in (900 x 300 mm)	52.3 in (1328 mm)	44.8 in (1138 mm)	15.4 in (391 mm)	WT
3685AN65BP	36 x 15 in (900 x 375 mm)	52.3 in (1328 mm)	45.0 in (1142 mm)	13.8 in (350 mm)	WT
3686AN65BP	36 x 18 in (900 x 450 mm)	62.8 in (1595 mm)	46.9 in (1192 mm)	18.4 in (467 mm)	WT
4284AN65BP	42 x 12 in (1050 x 300 mm)	46.1 in (1170 mm)	49.1 in (1247 mm)	5.9 in (150 mm)	WT
4285AN65BP	42 x 15 in (1050 x 375 mm)	51.2 in (1301 mm)	49.3 in (1251 mm)	8.2 in (208 mm)	WT
4286AN65BP	42 x 18 in (1050 x 450 mm)	51.2 in (1301 mm)	51.6 in (1312 mm)	7.8 in (197 mm)	WT
4884AN65BP	48 x 12 in (1200 x 300 mm)	47.3 in (1201 mm)	53.3 in (1353 mm)	4.7 in (119 mm)	WT
4885AN65BP	48 x 15 in (1200 x 375 mm)	52.5 in (1334 mm)	53.4 in (1356 mm)	7.3 in (185 mm)	WT
4886AN65BP	48 x 18 in (1200 x 450 mm)	57.7 in (1467 mm)	55.7 in (1416 mm)	9.8 in (250 mm)	WT
4887AN65BP	48 x 24 in (1200 x 600 mm)	68.2 in (1732 mm)	60.0 in (1525 mm)	15.1 in (384 mm)	WT
6084AN65BP	60 x 12 in (1500 x 300 mm)	56.2 in (1427 mm)	62.2 in (1580 mm)	5.0 in (126 mm)	WT
6085AN65BP	60 x 15 in (1500 x 375 mm)	56.2 in (1427 mm)	62.2 in (1580 mm)	4.0 in (101 mm)	WT
6086AN65BP	60 x 18 in (1500 x 450 mm)	62.2 in (1579 mm)	64.6 in (1640 mm)	9.4 in (238 mm)	WT
6087AN65BP	60 x 24 in (1500 x 600 mm)	68.2 in (1732 mm)	68.8 in (1749 mm)	10.0 in (253 mm)	WT



WT (INCLUDES 3 GASKETS)

NOTE: ALL FITTINGS DIMENSIONS ARE FOR REFERENCE ONLY

© 2021 Advanced Drainage Systems, Inc.



DRAWING #:	HP 10500	
DRAWN BY:	TJR	11/17/2009
APPROVED BY:		
REVISIONS:	TJR	5/13/2014