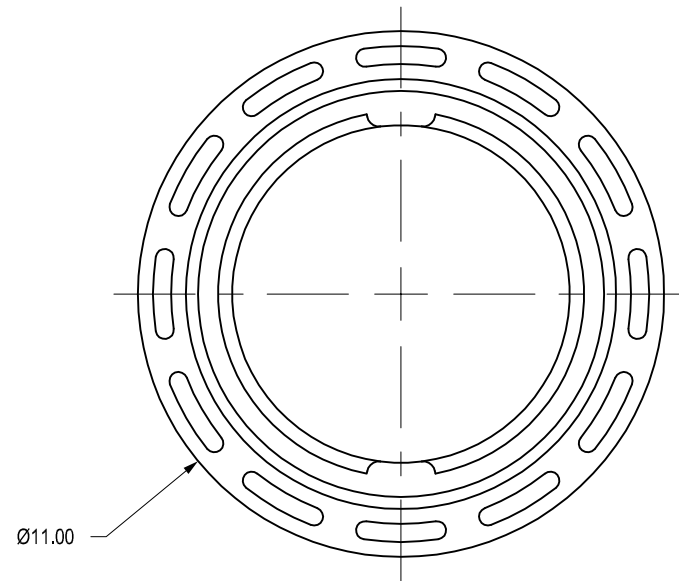
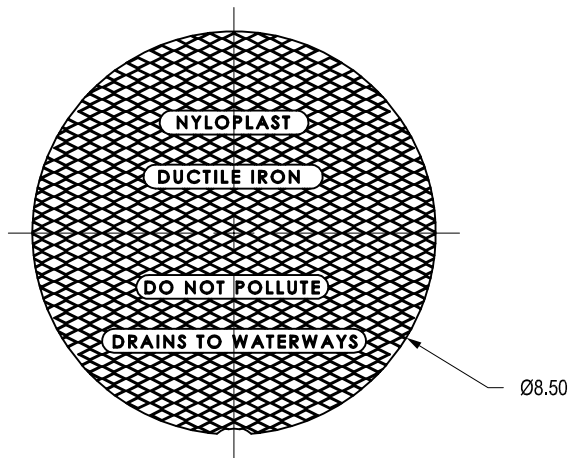
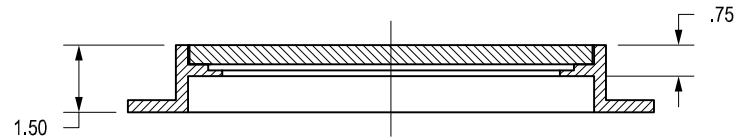


0899CGCF


APPROX. WEIGHT WITH FRAME = 8.52 LBS



DIMENSIONS ARE FOR REFERENCE ONLY
 ACTUAL DIMENSIONS MAY VARY
 DIMENSIONS ARE IN INCHES
 GRATE HAS LIGHT DUTY RATING
 QUALITY: MATERIALS SHALL CONFORM TO ASTM A536 GRADE 70-50-05
 PAINT: CASTINGS ARE FURNISHED WITH A BLACK PAINT
 LOCKING DEVICE AVAILABLE UPON REQUEST

THIS PRINT DISCLOSES SUBJECT MATTER IN WHICH NYLOPLAST HAS PROPRIETARY RIGHTS. THE RECEIPT OR POSSESSION OF THIS PRINT DOES NOT CONFER, TRANSFER, OR LICENSE THE USE OF THE DESIGN OR TECHNICAL INFORMATION SHOWN HEREIN REPRODUCTION OF THIS PRINT OR ANY INFORMATION CONTAINED HEREIN, OR MANUFACTURE OF ANY ARTICLE HEREFROM, FOR THE DISCLOSURE TO OTHERS IS FORBIDDEN, EXCEPT BY SPECIFIC WRITTEN PERMISSION FROM NYLOPLAST.
 ©2007 NYLOPLAST

DRAWN BY	NMH	MATERIAL	DUCTILE IRON
DATE	6-22-18		
APPD BY	NMH	PROJECT NO./NAME	
DATE	6-22-18		
DWG SIZE	A	SCALE	1:4 SHEET 1 OF 1

	3130 VERONA AVE BUFORD, GA 30518 PHN (770) 932-2443 FAX (770) 932-2490 www.nyloplast-us.com		
	TITLE	8 IN SOLID COVER ASSEMBLY - TYPE B	
DWG NO.	7001-110-538	REV	A