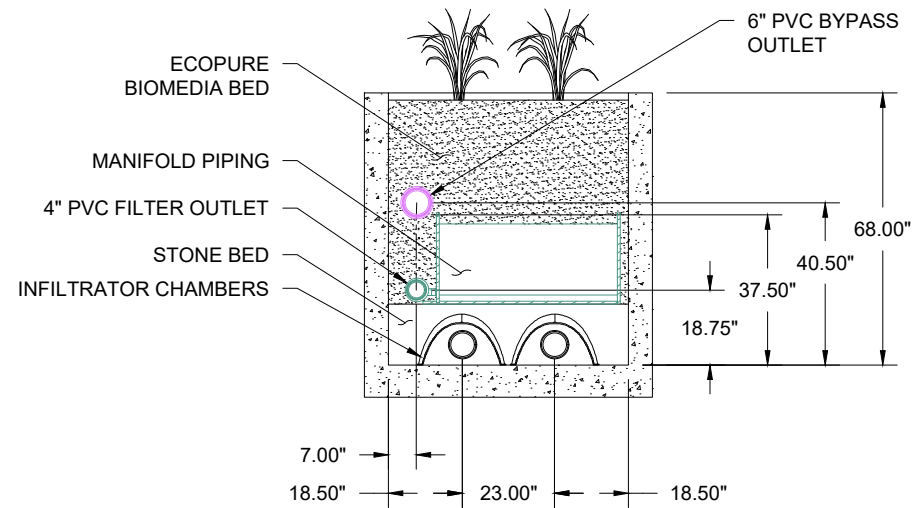
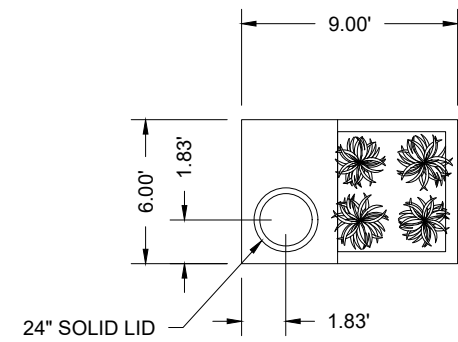


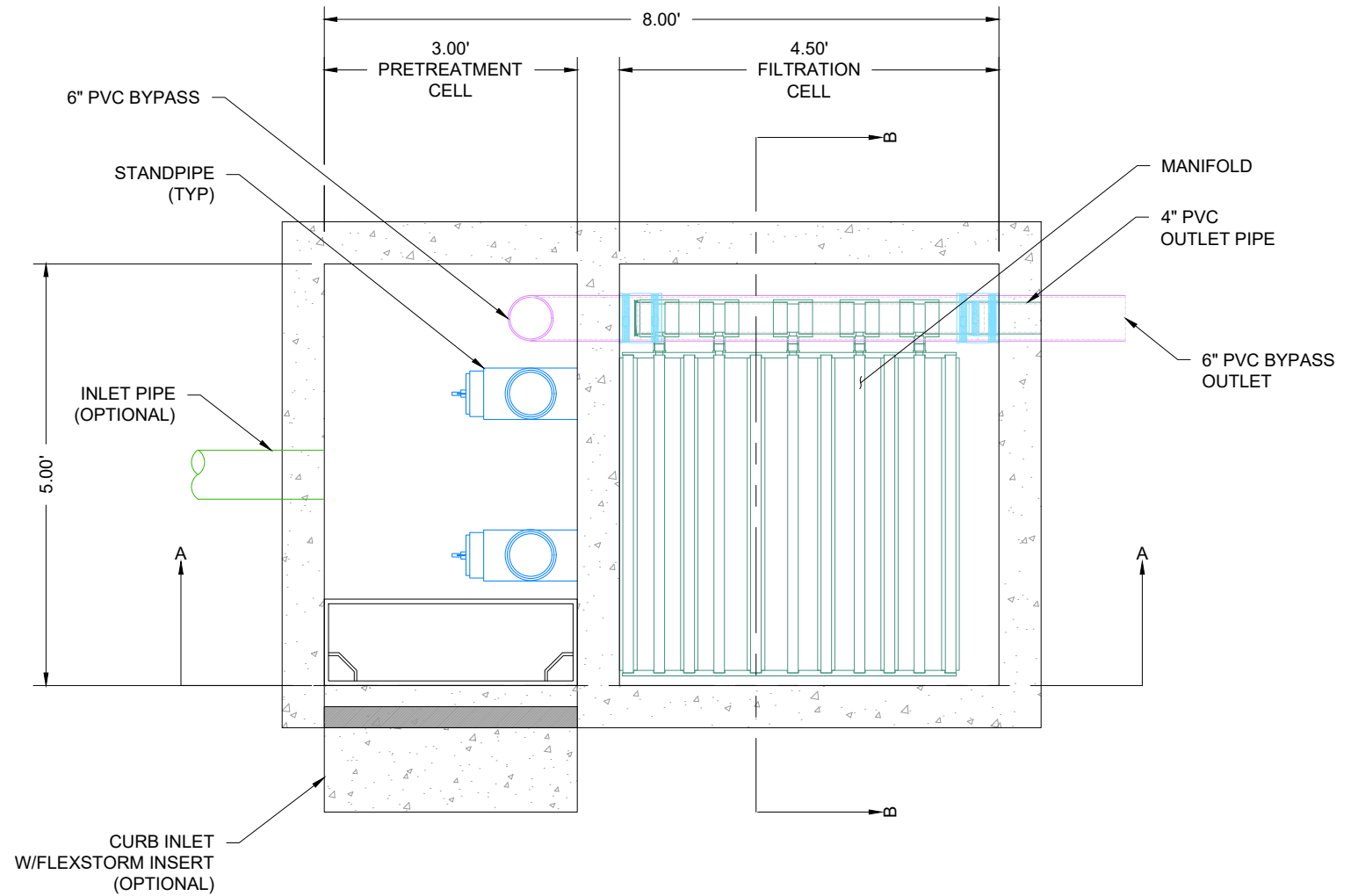
SECTION A-A
NTS



SECTION B-B
NTS



TOP SLAB PLAN VIEW
NTS / PIPE CONNECTIONS NOT SHOWN



PLAN VIEW
NTS

ECOPURE BIOFILTER 60

WATER QUALITY FLOW RATE	0.13 CFS
EFFECTIVE LOADING RATE	1 GPM/SFKLJ
DRAINAGE AREA	0.324 ACRES
TREATED SEDIMENT CAPACITY	194.5 LBS

THE ECOPURE BIOFILTER™ IS A BIOFILTRATION STORMWATER TREATMENT TECHNOLOGY RELIES ON PHYSICAL, CHEMICAL AND BIOLOGICAL MECHANISMS TO REMOVE TOTAL SUSPENDED SOLIDS, TOTAL PHOSPHORUS, TOTAL NITROGEN, HEAVY METALS, OIL AND GREASE, TRASH AND BACTERIA. THE ECOPURE SYSTEM PROVIDES LINEAR TREATMENT DESIGN WITH AN UPFRONT PRETREATMENT CHAMBER.

ECOPURE BIOFILTER 60

STANDARD DETAIL

DATE:	6/08/22	DRAWN:	KLJ
PROJECT #:		CHECKED:	KLJ

DATE	DRWN	CHKD	DESCRIPTION
6/16/23	KLJ	KLJ	MAINTENANCE REDUCTION

EcoPure™ Biofilter
Stormwater Media Filters

4640 TRUEJMAN BLVD
HILLIARD, OH 43026



NOT TO SCALE

THIS DRAWING HAS BEEN PREPARED BASED ON INFORMATION PROVIDED TO ADS UNDER THE DIRECTION OF THE SITE DESIGN ENGINEER OR OTHER PROJECT REPRESENTATIVE. THE SITE DESIGN ENGINEER SHALL REVIEW THIS DRAWING PRIOR TO CONSTRUCTION. IT IS THE ULTIMATE RESPONSIBILITY OF THE SITE DESIGN ENGINEER TO ENSURE THAT THE PRODUCT(S) DEPICTED AND ALL ASSOCIATED DETAILS MEET ALL APPLICABLE LAWS, REGULATIONS, AND PROJECT REQUIREMENTS.