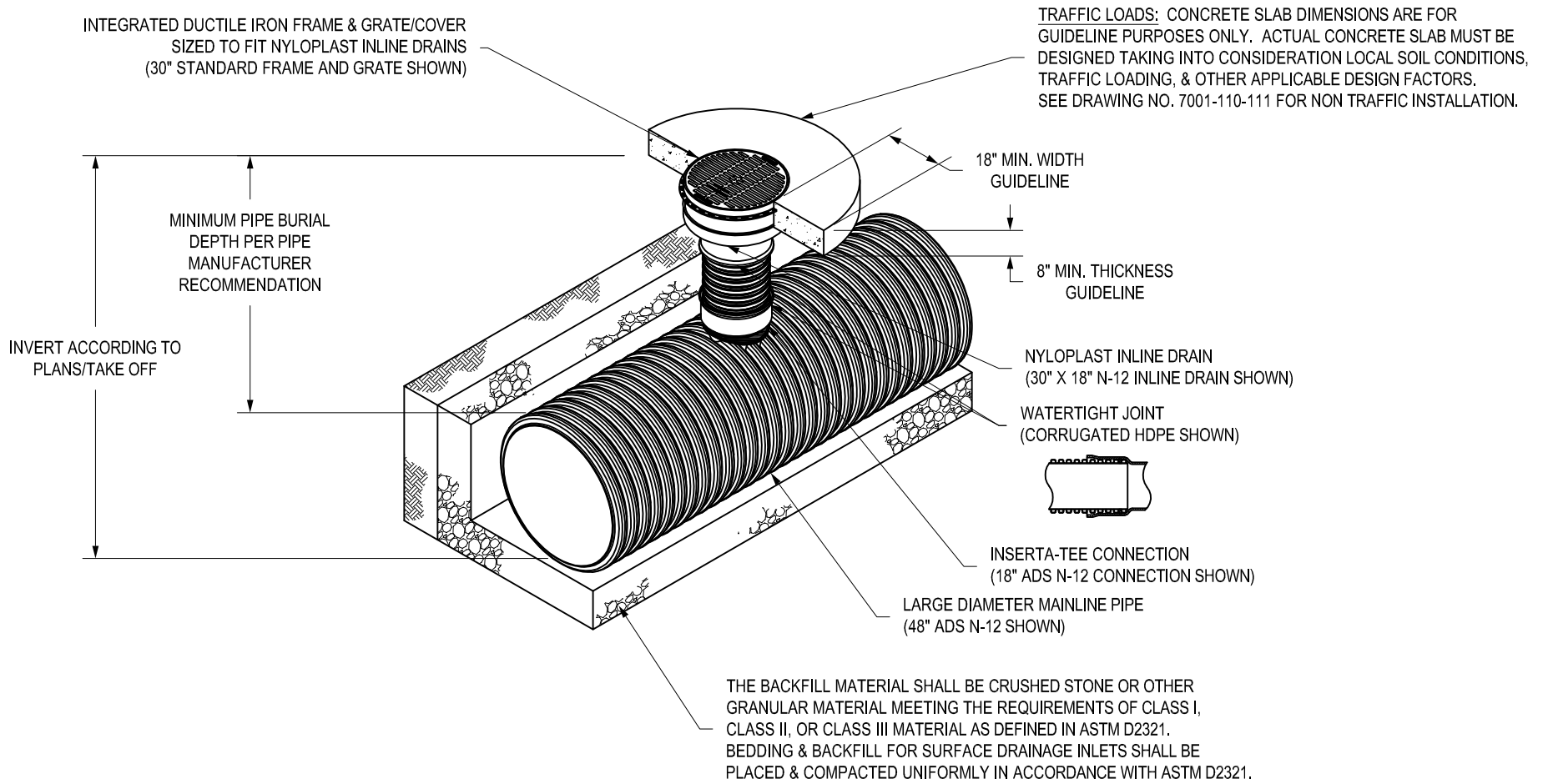


NYLOPLAST INLINE DRAIN USING INSERTA-TEE TO CONNECT TO LARGE DIAMETER MAINLINE

QUICK SPEC INSTALLATION DETAIL



- 1 - GRATES/COVERS SHALL BE DUCTILE IRON PER ASTM A536 GRADE 70-50-05.
- 2 - 12" - 30" FRAMES SHALL BE DUCTILE IRON PER ASTM A536 GRADE 70-50-05. 8" & 10" STANDARD GRATES FIT DIRECTLY ONTO INLINE DRAINS SEE DRAWING NO. 7003-110-000 & 7003-110-001.
- 3 - DRAINAGE CONNECTION STUB JOINT TIGHTNESS SHALL CONFORM TO ASTM D3212 FOR CORRUGATED HDPE (ADS N-12/HANCOR DUAL WALL), N-12 HP, & PVC SEWER (4" - 24").
- 4 - 12" - 30" STANDARD GRATES AND SOLID COVERS SHALL MEET H-20 LOAD RATING.
- 5 - 8" & 10" STANDARD GRATES ARE RATED FOR LIGHT DUTY APPLICATIONS ONLY; NO CONCRETE COLLAR NEEDED FOR LIGHT DUTY RATING.

THIS PRINT DISCLOSES SUBJECT MATTER IN WHICH NYLOPLAST HAS PROPRIETARY RIGHTS. THE RECEIPT OR POSSESSION OF THIS PRINT DOES NOT CONFER, TRANSFER, OR LICENSE THE USE OF THE DESIGN OR TECHNICAL INFORMATION SHOWN HEREIN. REPRODUCTION OF THIS PRINT OR ANY INFORMATION CONTAINED HEREIN, OR MANUFACTURE OF ANY ARTICLE HEREFROM, FOR THE DISCLOSURE TO OTHERS IS FORBIDDEN, EXCEPT BY SPECIFIC WRITTEN PERMISSION FROM NYLOPLAST.

©2007 NYLOPLAST

DRAWN BY	NMH	MATERIAL	
DATE	10-4-17		
APPD BY	NMH	PROJECT NO./NAME	TITLE INLINE DRAIN USING INSERTA-TEE TO CONNECT TO LARGE DIAMETER MAINLINE QUICK SPEC INSTALLATION DETAIL
DATE	10-4-17		
DWG SIZE	A	SCALE 1:50 SHEET 1 OF 1	DWG NO. 7003-110-124 REV A

3130 VERONA AVE
 BUFORD, GA 30518
 PHN (770) 932-2443
 FAX (770) 932-2490
 www.nyloplast-us.com