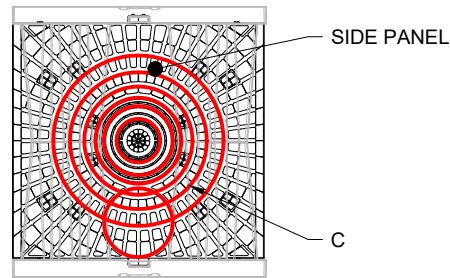
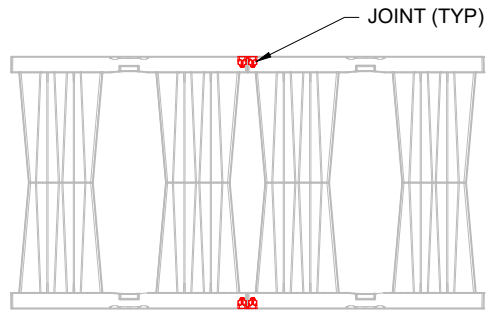
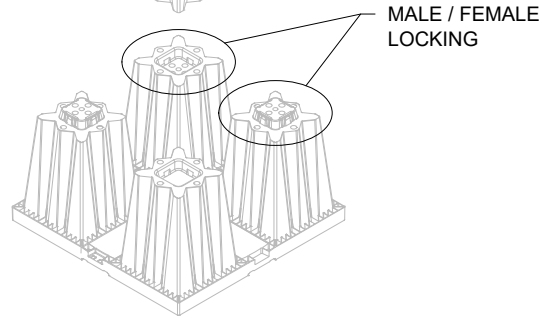
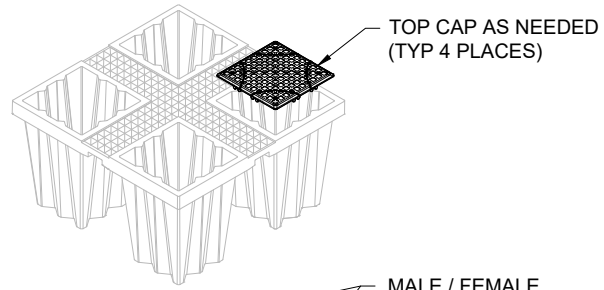
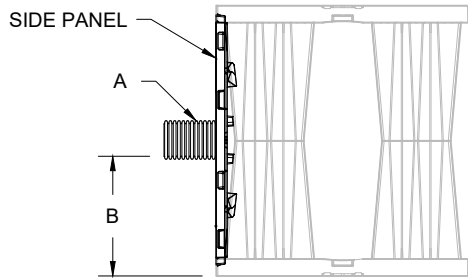
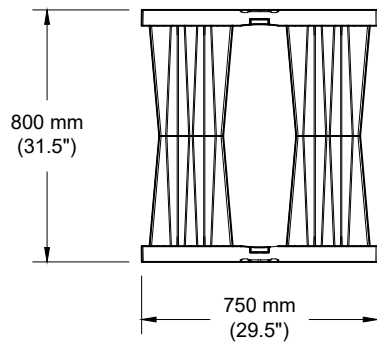
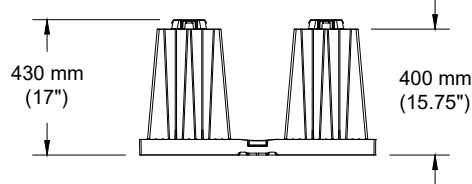
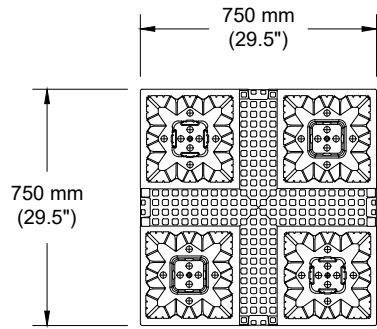


AQUABOX FULL MODULE TECHNICAL SPECIFICATION

NTS



NOMINAL MODULE SPECIFICATIONS

SIZE (LENGTH X WIDTH X HEIGHT)

750 mm X 750 mm X 800 mm

(29.5" X 29.5" X 31.5")

MODULE STORAGE

0.43 m³

(15.24 CUBIC FEET)

STUB CONNECTION	STUB (A)	INVERT (B)	MARKED CUT HOLE (C)
100 mm (4") ADS N-12 (CONCENTRIC)	100 mm (4")	334 mm (13.1")	125 mm
150 mm (6") ADS N-12 (ECCENTRIC)	150 mm (6")	63 mm (2.5")	200 mm
		516 mm (20.3")	
150 mm (6") ADS N-12 (CONCENTRIC)	150 mm (6")	300 mm (11.9")	200 mm
200 mm (8") ADS N-12	200 mm (8")	282 mm (11.1")	250 mm
250 mm (10") ADS N-12*	250 mm (10")	253 mm (10.0")	315 mm
300 mm (12") ADS N-12*	300 mm (12")	223 mm (8.8")	400 mm
375 mm (15") ADS N-12*	375 mm (15")	198 mm (7.8")	400 mm
450 mm (18") ADS N-12*	450 mm (18")	147 mm (5.8")	500 mm

NOTE: ALL DIMENSIONS ARE NOMINAL

*250 mm - 450 mm (10" - 18") PIPE ENDS REQUIRE FIELD CUT PER DETAIL

TECHNICAL SPECIFICATIONS
AQUABOX FULL MODULE

DATE: 03/06/25
DRAWING #: 771-011_C
DRAWN: SMW
CHECKED: JLM

Aquabox
Modular Stormwater Management System

4640 TRUEMAN BLVD
HILLIARD, OH 43026

ADS

THIS DRAWING HAS BEEN PREPARED BASED ON INFORMATION PROVIDED TO ADS/STORMTECH UNDER THE DIRECTION OF THE PROJECT'S ENGINEER OF RECORD (EOR) OR OTHER PROJECT REPRESENTATIVE. THIS DRAWING IS NOT INTENDED FOR USE IN BIDDING OR CONSTRUCTION WITHOUT THE EOR'S PRIOR APPROVAL. EOR SHALL REVIEW THIS DRAWING PRIOR TO BIDDING AND/OR CONSTRUCTION. IT IS THE ULTIMATE RESPONSIBILITY OF THE EOR TO ENSURE THAT THE PRODUCT(S) DEPICTED AND ALL ASSOCIATED DETAILS MEET ALL APPLICABLE LAWS, REGULATIONS, AND PROJECT REQUIREMENTS.