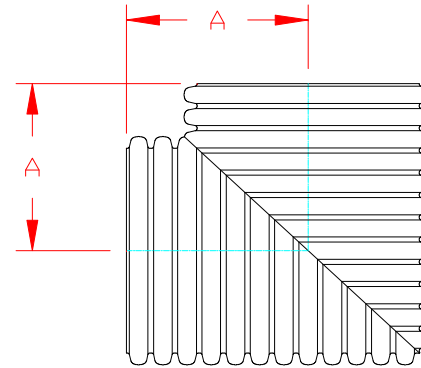


DUAL WALL FABRICATED "SOIL TIGHT" "PLAIN END" 90° MANIFOLD BEND
12" - 30" DIAMETER

PART #	PIPE SIZE	A
1298AN	12 in (300 mm)	12.7 in (323 mm)
1598AN	15 in (375 mm)	14.5 in (367 mm)
1898AN	18 in (450 mm)	17.6 in (448 mm)
2498AN	24 in (600 mm)	20.7 in (526 mm)
3098AN	30 in (750 mm)	26.5 in (674 mm)



NOTE: ALL FITTINGS DIMENSIONS ARE FOR REFERENCE ONLY

© 2023 Advanced Drainage Systems, Inc.

 Advanced Drainage Systems, Inc.	DRAWING #:	4015
	DRAWN BY:	AWM 03.17.06
	APPROVED BY:	JCB 06.28.07
	REVISIONS:	TJR 05.12.09