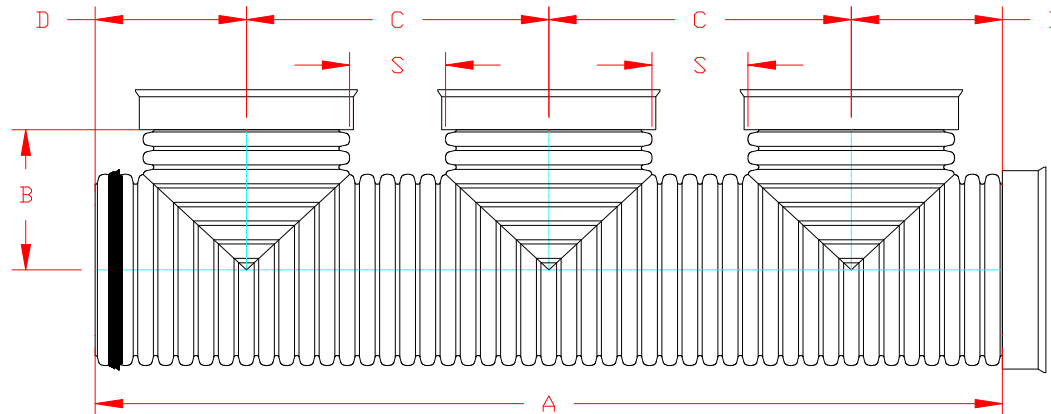


DUAL WALL FABRICATED "WATER TIGHT" "BELL END" TRIPLE MANIFOLD 12" - 36" DIAMETER

PART #	PIPE SIZE	A	B	C	D	S
1253AN65B	12 in (300 mm)	76.2 in (1936 mm)	10.8 in (273 mm)	25.4 in (645 mm)	14.7 in (372 mm)	11.0 in (279 mm)
1553AN65B	15 in (375 mm)	86.7 in (2202 mm)	11.8 in (300 mm)	28.9 in (734 mm)	17.1 in (434 mm)	11.4 in (289 mm)
1853AN65B	18 in (450 mm)	105.8 in (2688 mm)	14.7 in (373 mm)	35.3 in (896 mm)	20.6 in (523 mm)	14.1 in (358 mm)
2453AN65B	24 in (600 mm)	124.1 in (3152 mm)	17.7 in (450 mm)	41.4 in (1051 mm)	23.6 in (600 mm)	13.7 in (348 mm)
3053AN65B	30 in (750 mm)	159.1 in (4042 mm)	22.4 in (570 mm)	53.1 in (1347 mm)	30.6 in (777 mm)	18.2 in (462 mm)
3653AN65B	36 in (900 mm)	188.9 in (4798 mm)	26.2 in (666 mm)	63.0 in (1599 mm)	36.7 in (933 mm)	21.8 in (554 mm)



BELL END GASKET NOT INCLUDED WITH FITTING PLEASE ORDER SEPARATELY.

NOTE: ALL FITTINGS DIMENSIONS ARE FOR REFERENCE ONLY

© 2023 Advanced Drainage Systems, Inc.

 Advanced Drainage Systems, Inc.	DRAWING #:	4040
	DRAWN BY:	AWM 03.17.06
	APPROVED BY:	JCB 06.28.07
	REVISIONS:	TJR 05.12.09