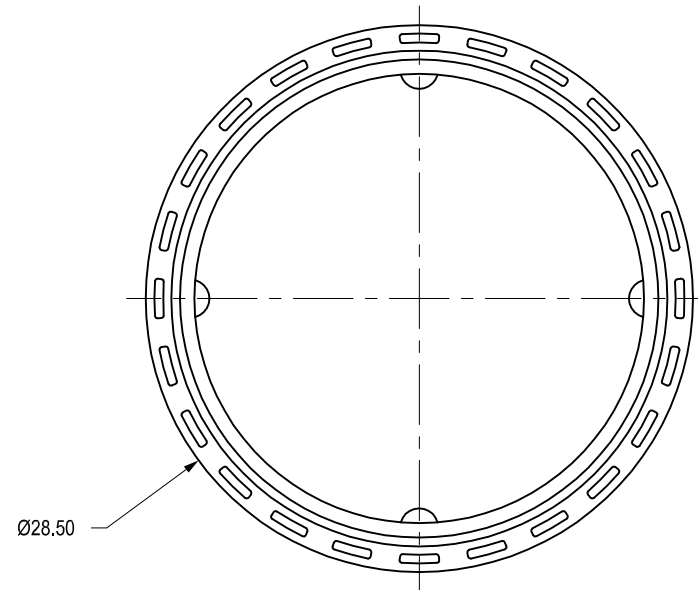
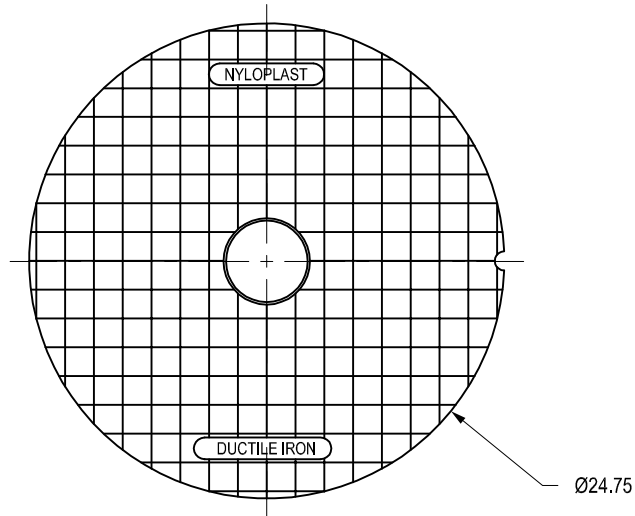
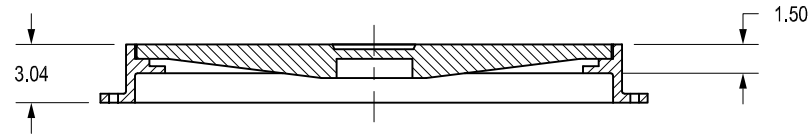


# 2499CGC

APPROX. WEIGHT WITH FRAME = 138.00 LBS



DIMENSIONS ARE FOR REFERENCE ONLY  
 ACTUAL DIMENSIONS MAY VARY  
 DIMENSIONS ARE IN INCHES  
 GRATE MEETS H-20 LOAD RATING  
 QUALITY: MATERIALS SHALL CONFORM TO ASTM A536 GRADE 70-50-05  
 PAINT: CASTINGS ARE FURNISHED WITH A BLACK PAINT  
 LOCKING DEVICE AVAILABLE UPON REQUEST SEE DRAWING NO.  
 7001-110-025

THIS PRINT DISCLOSES SUBJECT MATTER IN WHICH NYLOPLAST HAS PROPRIETARY RIGHTS. THE RECEIPT OR POSSESSION OF THIS PRINT DOES NOT CONFER, TRANSFER, OR LICENSE THE USE OF THE DESIGN OR TECHNICAL INFORMATION SHOWN HEREIN REPRODUCTION OF THIS PRINT OR ANY INFORMATION CONTAINED HEREIN, OR MANUFACTURE OF ANY ARTICLE HEREFROM, FOR THE DISCLOSURE TO OTHERS IS FORBIDDEN, EXCEPT BY SPECIFIC WRITTEN PERMISSION FROM NYLOPLAST.  
 ©2013 NYLOPLAST

|            |          |                         |
|------------|----------|-------------------------|
| DRAWN BY   | EBC      | MATERIAL                |
| DATE       | 03-08-06 | DUCTILE IRON            |
| REVISED BY | CCA      | PROJECT NO./NAME        |
| DATE       | 08-30-13 |                         |
| DWG SIZE   | A        | SCALE 1:10 SHEET 1 OF 1 |

|                                     |   |
|-------------------------------------|---|
|                                     | 3130 VERONA AVE<br>BUFORD, GA 30518<br>PHN (770) 932-2443<br>FAX (770) 932-2490<br>www.nyloplast-us.com |
|                                     | TITLE   |
| 24 IN SOLID COVER ASSEMBLY - TYPE B |   |
| DWG NO.                             | 7001-110-218 REV D  |