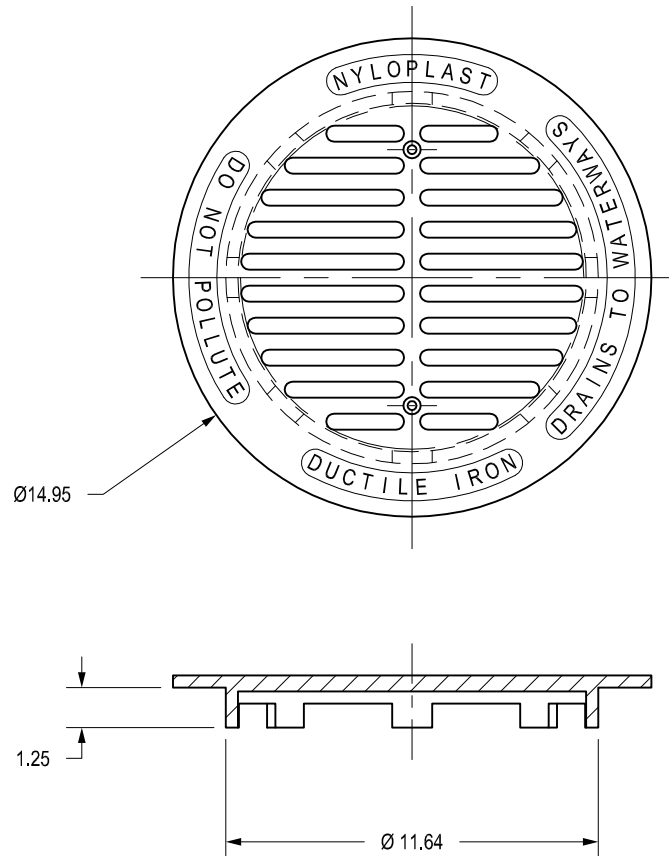


1201DI

APPROX. DRAIN AREA = 39.75 SQ IN
 APPROX. WEIGHT = 15 LBS



DIMENSIONS ARE FOR REFERENCE ONLY

ACTUAL DIMENSIONS MAY VARY

DIMENSIONS ARE IN INCHES

GRATE HAS LIGHT DUTY RATING

QUALITY: MATERIALS SHALL CONFORM TO ASTM A536 GRADE 70-50-05

PAINT: CASTINGS ARE FURNISHED WITH A BLACK PAINT


SIZE OF OPENING MEETS REQUIREMENTS OF AMERICAN DISABILITY

ACT AS STATED IN FEDERAL REGISTER PART III, DEPARTMENT OF

JUSTICE, 28 CFR PART 36.

THIS PRINT DISCLOSES SUBJECT MATTER IN WHICH NYLOPLAST HAS PROPRIETARY RIGHTS. THE RECEIPT OR POSSESSION OF THIS PRINT DOES NOT CONFER, TRANSFER, OR LICENSE THE USE OF THE DESIGN OR TECHNICAL INFORMATION SHOWN HEREIN REPRODUCTION OF THIS PRINT OR ANY INFORMATION CONTAINED HEREIN, OR MANUFACTURE OF ANY ARTICLE HEREFROM, FOR THE DISCLOSURE TO OTHERS IS FORBIDDEN, EXCEPT BY SPECIFIC WRITTEN PERMISSION FROM NYLOPLAST.

©2011 NYLOPLAST

DRAWN BY AWA	MATERIAL		3130 VERONA AVE BUFORD, GA 30518 PHN (770) 932-2443 FAX (770) 932-2490 www.nyloplast-us.com
DATE 3-5-00			TITLE
REVISED BY EBC	PROJECT NO./NAME	DWG NO.	7001-110-021
DATE 4-13-11		REV	D
DWG SIZE A	SCALE 1:6	SHEET 1 OF 1	