

# Nyloplast® Universal Inline Drain

## Engineered for custom connection **off the shelf.**

**Nyloplast Universal Inline Drain comes out on top compared to traditional inlets made from concrete.**

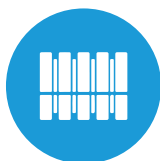
The unique patented design of our newest solution for managing stormwater intake offers high-performance and maximum flexibility when compared to more traditional alternatives.



**Watertight** injection molded joint connections



**4x faster** installation



**Connects easily** to HDPE & PVC pipes



**No added grout** to messy adhesives



**Field adjusted** with common tools



**100-year** service life on PVC



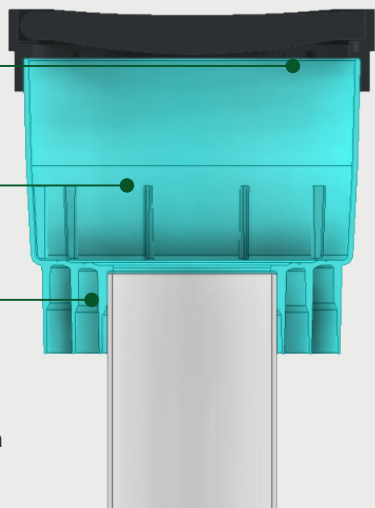
### 12" (300 mm) Universal In-Line Drain

Inlet grate flow matches 6" (150 mm) outlet hole

Stepped bell connects to commonly stocked 6"-12" (150-300 mm) plastic pipe

Off-the-shelf connection to multiple grate sizes (with a 6" (150 mm) precut outlet)

- 12" (300 mm) drop-in
- 12" (300 mm) standard
- 12" (300 mm) pedestrian
- 12" (300 mm) dome



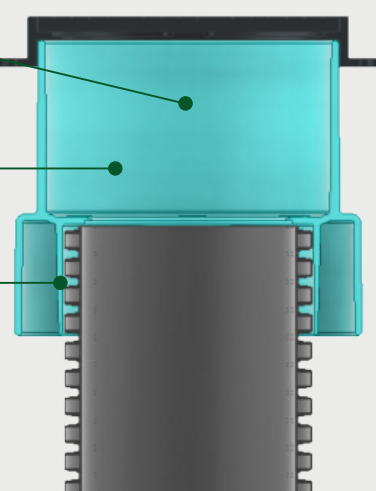
### 8" (200 mm) Universal In-Line Drain

Inlet grate flow matches 4" (100 mm) outlet hole

Stepped bell connects to commonly stocked 4"-8" (100-200 mm) plastic pipe

Off-the-shelf connection to multiple grate sizes (with a 4" (100 mm) precut outlet)

- 8" (200 mm) drop-in
- 8" (200 mm) standard
- 8" (200 mm) dome



[adspipe.com](http://adspipe.com)

1-800-821-6710