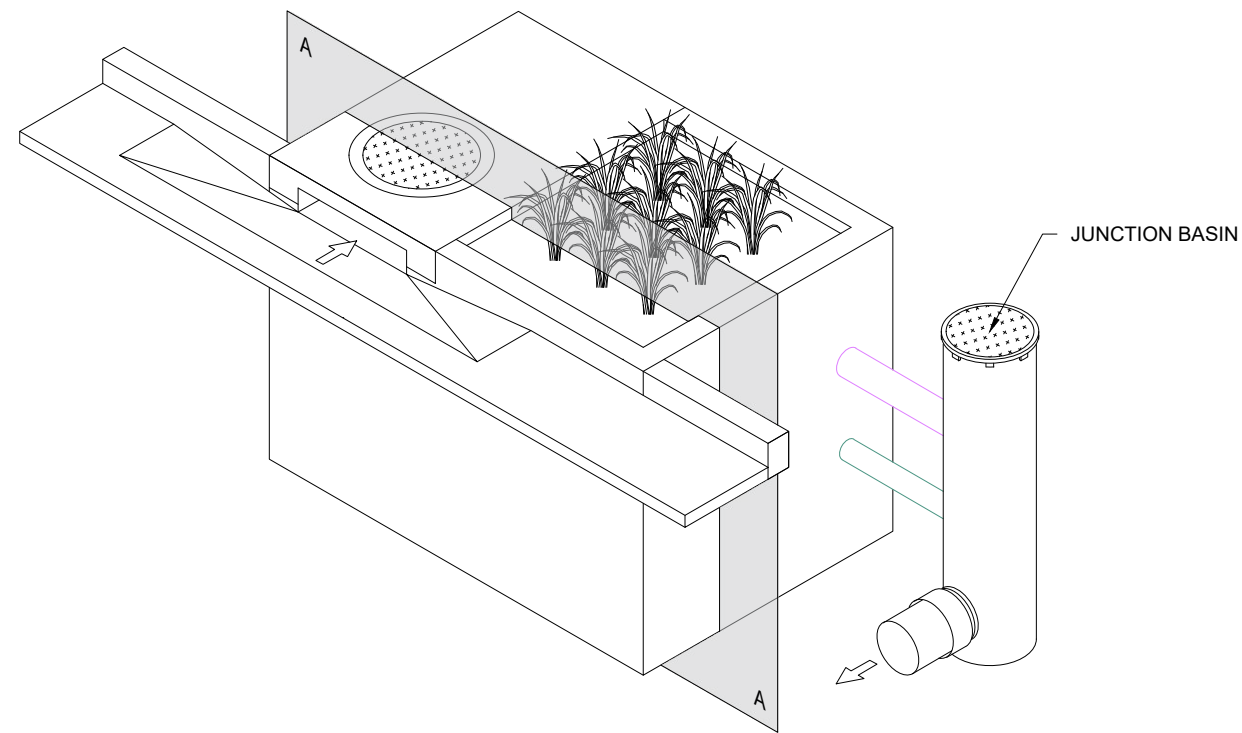
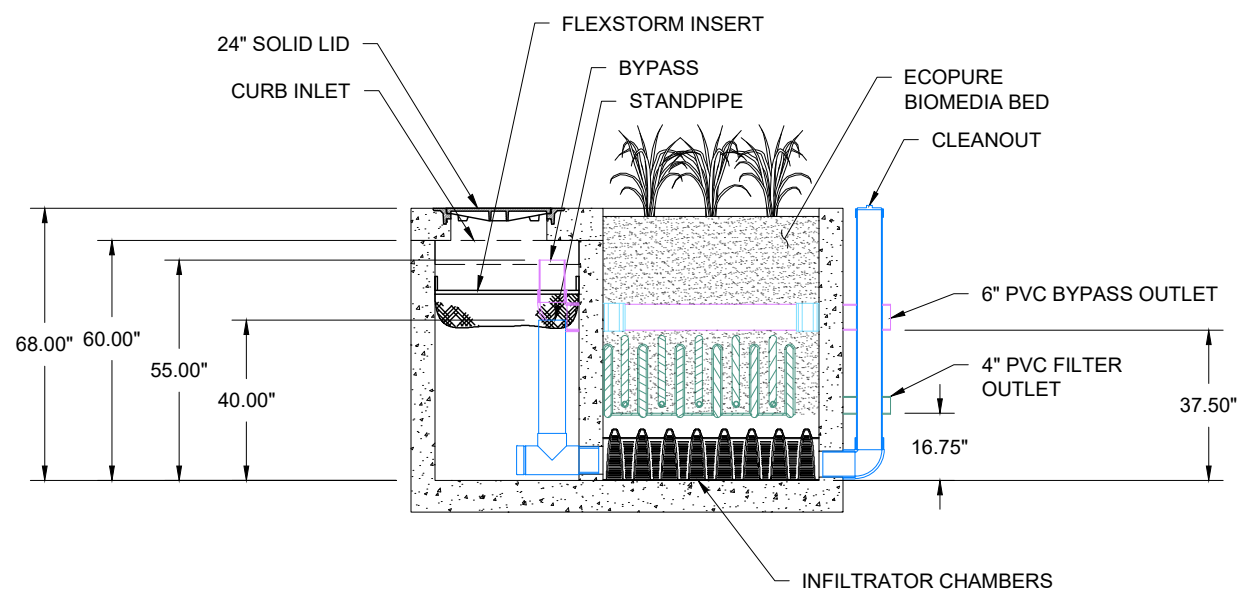


ONLINE SITE LAYOUT - CURB INLET
 FOR LOW FLOW APPLICATIONS USING INTERNAL BYPASS
 *CLEANOUTS OMITTED FROM LAYOUT FOR CLARITY

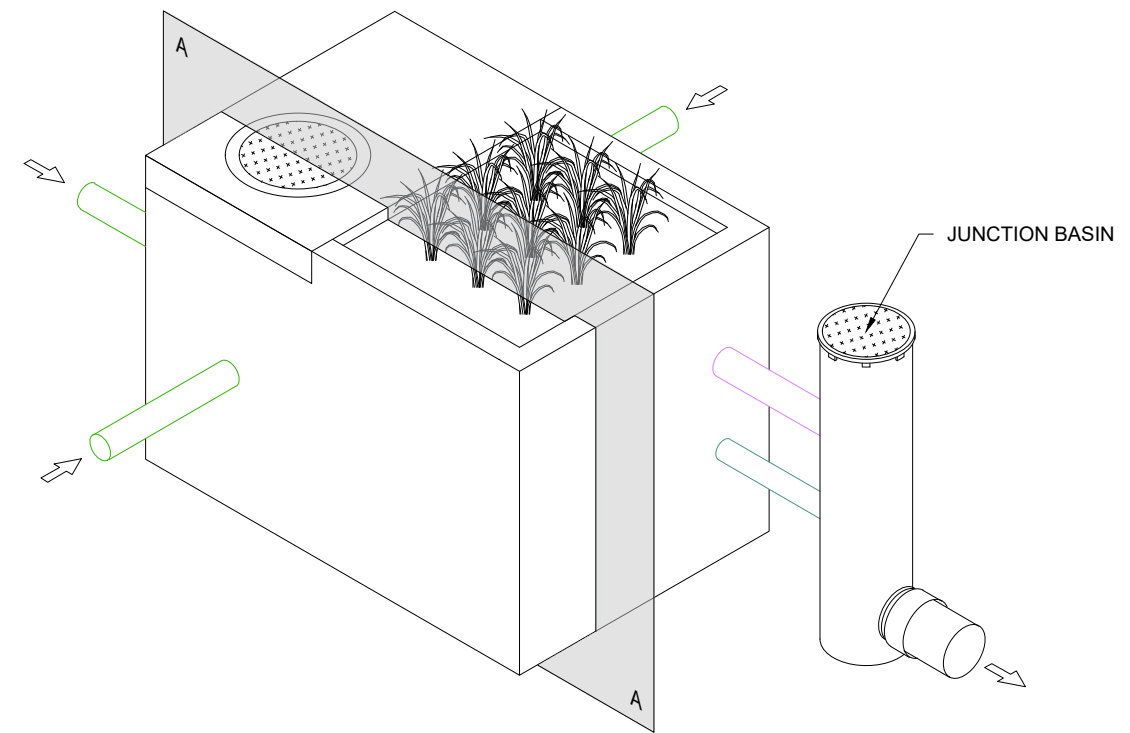


- NOTES:**
1. THROAT INLET SHOWN. GRATED CURB INLET NOT AVAILABLE.
 2. PLANTINGS SHOULD BE DROUGHT RESISTANT, FULL SUNLIGHT PLANTS (GRASS, SHRUBS, AND ORNAMENTAL).
 3. FOR DESIGNS THAT REQUIRE A SUMP DEPTH GREATER THAN 68" PLEASE CONTACT ADS.

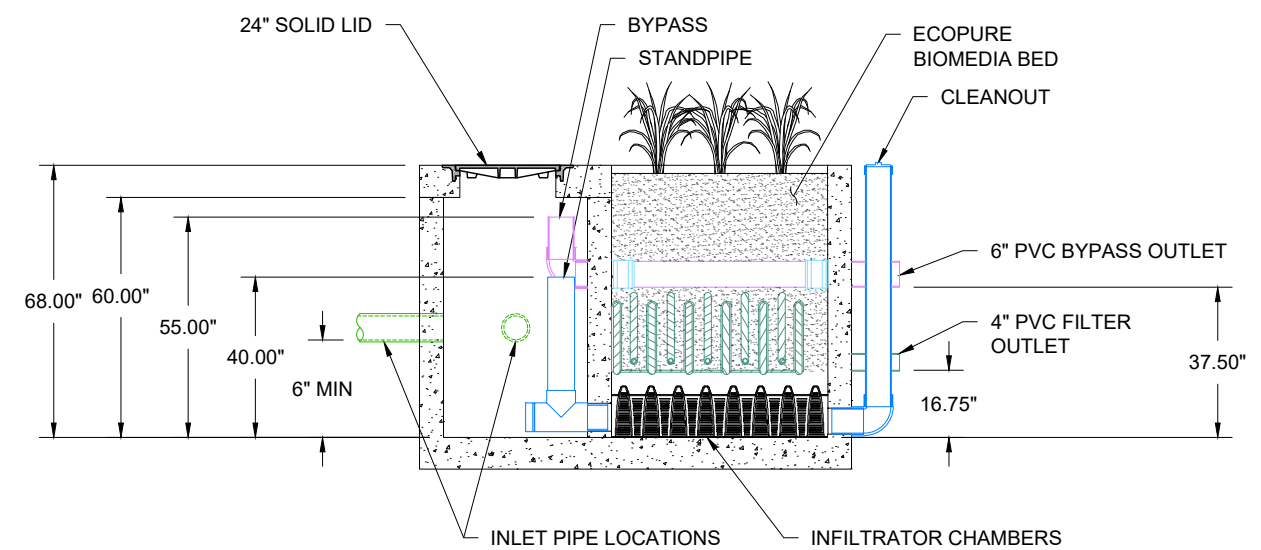


SECTION A-A
NTS

ONLINE SITE LAYOUT - PIPE INLET
 FOR LOW FLOW APPLICATIONS USING INTERNAL BYPASS
 *CLEANOUTS OMITTED FROM LAYOUT FOR CLARITY



- NOTES:**
1. PLANTINGS SHOULD BE DROUGHT RESISTANT, FULL SUNLIGHT PLANTS (GRASS, SHRUBS, AND ORNAMENTAL).
 2. FOR DESIGNS THAT REQUIRE A SUMP DEPTH GREATER THAN 68" PLEASE CONTACT ADS.



SECTION A-A
NTS

ECOPURE™
STANDARD ONLINE DETAILS

DATE	DRWN	CHKD	DESCRIPTION
8/01/22	N/A		

EcoPure™ Biofilter
Stormwater Media Filters

ADS
4640 TRUJMAN BLVD
HILLIARD, OH 43026

THIS DRAWING HAS BEEN PREPARED BASED ON INFORMATION PROVIDED TO ADS UNDER THE DIRECTION OF THE SITE DESIGN ENGINEER OR OTHER PROJECT REPRESENTATIVE. THE SITE DESIGN ENGINEER SHALL REVIEW THIS DRAWING PRIOR TO CONSTRUCTION. IT IS THE ULTIMATE RESPONSIBILITY OF THE SITE DESIGN ENGINEER TO ENSURE THAT THE PRODUCT(S) DEPICTED AND ALL ASSOCIATED DETAILS MEET ALL APPLICABLE LAWS, REGULATIONS, AND PROJECT REQUIREMENTS.