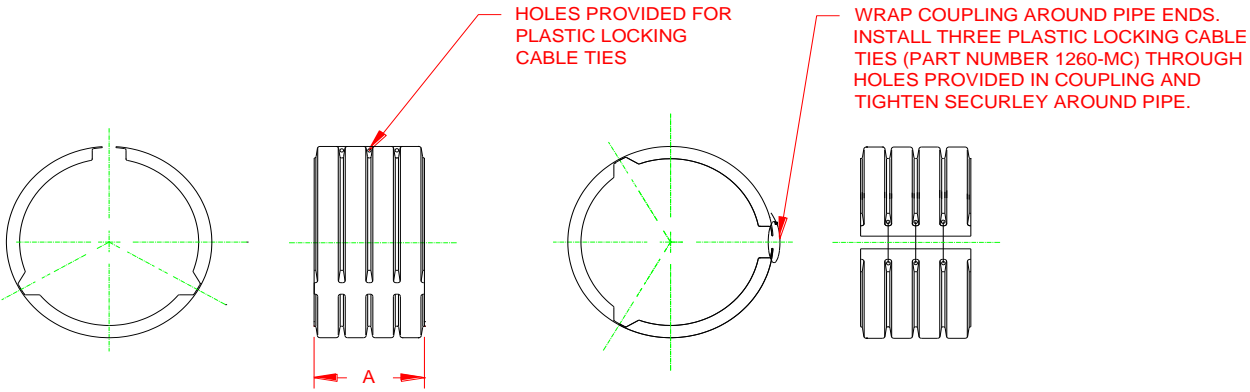



HP STORM DUAL WALL SPLIT COUPLER 12" - 60" DIAMETER

PART #	PIPE SIZE	A
1265AC	12 in (300 mm)	7.7 in (195 mm)
1565AC	15 in (375 mm)	10.4 in (263 mm)
1865AC	18 in (450 mm)	10.7 in (272 mm)
2465AC	24 in (600 mm)	12.6 in (320 mm)
3065AA	30 in (750 mm)	16.5 in (419 mm)
3661AA	36 in (900 mm)	21.0 in (533 mm)
4265AA**	42 in (1050 mm)	20.8 in (527 mm)
4865AA**	48 in (1200 mm)	21.0 in (533 mm)
6065AA**	60 in (1500 mm)	24.0 in (610 mm)



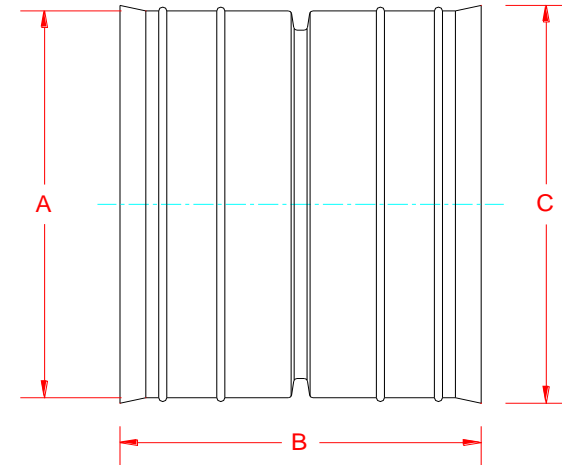
NOTE: ALL FITTINGS DIMENSIONS ARE FOR REFERENCE ONLY

© 2021 Advanced Drainage Systems, Inc.

 Advanced Drainage Systems, Inc.	DRAWING #:	HP 8000
	DRAWN BY:	TJR 10/21/2009
	APPROVED BY:	
	REVISIONS:	TJR 4/19/2016

HP STORM DUAL WALL BELL\BELL COUPLERS
12" - 24" DIAMETER (POLYPROPYLENE)

PART #	PIPE SIZE	A	B	C	JOINT
1215AAPP	12 in (300 mm)	14.6 in (371 mm)	14.0 in (356 mm)	15.4 in (391 mm)	WT
1515AAPP	15 in (375 mm)	17.8 in (451 mm)	16.0 in (406 mm)	18.6 in (472 mm)	WT
1815AAPP	18 in (450 mm)	21.4 in (544 mm)	18.0 in (457 mm)	22.4 in (569 mm)	WT
2415AAPP	24 in (600 mm)	28.2 in (716 mm)	14.8 in (376 mm)	29.3 in (743 mm)	WT



* REQUIRES GASKET TO PROVIDE SPECIFIED JOINT PERFORMANCE

NOTE: ALL FITTINGS DIMENSIONS ARE FOR REFERENCE ONLY

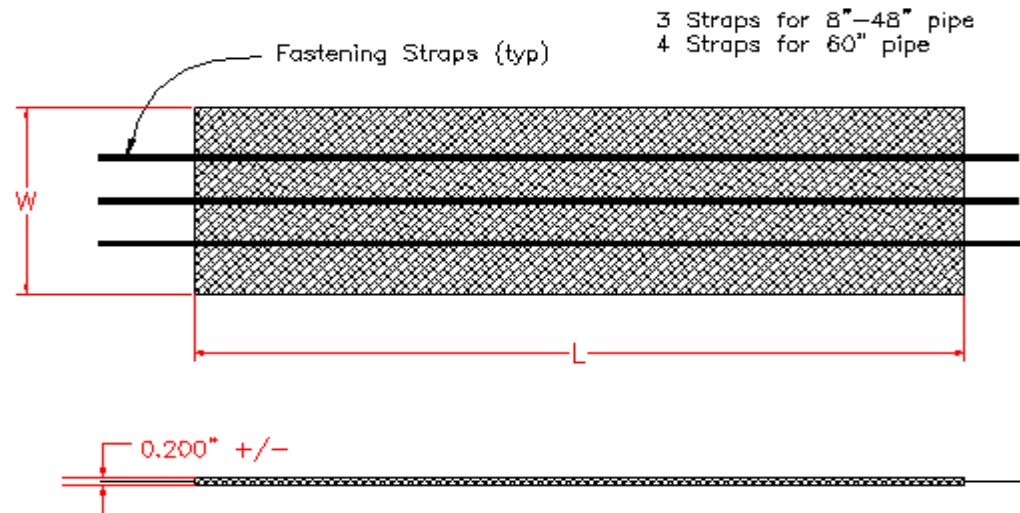
© 2021 Advanced Drainage Systems, Inc.



DRAWING #:	HP 8100
DRAWN BY:	TJR 10/21/2009
APPROVED BY:	
REVISIONS:	TJR 5/13/2014

HP STORM DUAL WALL MARMAC COUPLERS 12" - 60" DIAMETERS

PART #	PIPE SIZE	L	W
1267RC	12 in (300 mm)	52.0 in (1321 mm)	7.0 in (178 mm)
1567RC	15 in (375 mm)	62.0 in (1575 mm)	10.0 in (254 mm)
1867RC	18 in (450 mm)	75.0 in (1905 mm)	10.0 in (254 mm)
2467RC	24 in (600 mm)	94.0 in (2388 mm)	12.0 in (305 mm)
3067RC	30 in (750 mm)	125.0 in (3175 mm)	15.0 in (381 mm)
3667RC	36 in (900 mm)	141.0 in (3581 mm)	18.0 in (457 mm)
4267RC	42 in (1050 mm)	161.0 in (4089 mm)	20.0 in (508 mm)
4867RC	48 in (1200 mm)	183.0 in (4648 mm)	20.0 in (508 mm)
6067RC	60 in (1500 mm)	222.0 in (5639 mm)	28.0 in (711 mm)



NOTE: ALL DIMENSIONS ARE NOMINAL

© 2021 Advanced Drainage Systems, Inc.



DRAWING #:	HP 8200	
DRAWN BY:	TJR	10/21/2009
APPROVED BY:		
REVISIONS:	TJR	5/13/2014