

# 6"-24" Duraslot® 6" Slot Riser

## Submittal Package



### Package Contents

1. Product overview
  - a. ADS standard specification
2. Duraslot standard drawings
  - a. Slot dimensions
  - b. Pipe configuration
  - c. Coupler band fitting
  - d. Adapter fitting
  - e. End cap fitting
  - f. Grated assembly
  - g. Open top assembly



[adspipe.com](http://adspipe.com)

800-821-6710

## ADS DURASLOT® PIPE SPECIFICATION

### Scope

This specification describes 4- through 36-inch (100 to 900 mm) ADS DURASLOT pipe for use in surface drain applications.

### Pipe Requirements

DURASLOT pipe, as manufactured and distributed by ADS, Inc., shall have a smooth interior and annular exterior corrugations with an aluminum slot grate frame mounted longitudinally along the length of the pipe to accept the grate while maintaining the original pipe diameter.

- 4- through 10-inch (100 to 250mm) pipe shall meet AASHTO M252, Type S.
- 12- through 36-inch (300 to 900 mm) pipe shall meet AASHTO M294, Type S or ASTM F2306.
- Manning's "n" value for use in design shall be 0.012.

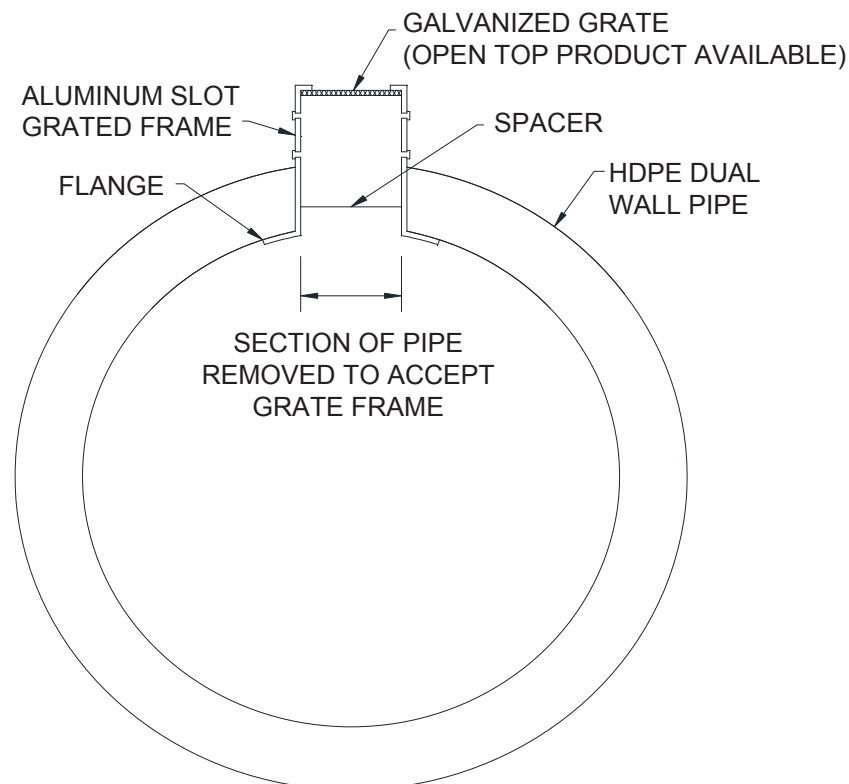
The aluminum slot grate frame shall be manufactured from 0.063" tempered commercial aluminum meeting the requirements of ASTM B209, consisting of two parallel plates separated by spacers spanning the slot on 6" centers. The grate shall be ½" - #13 galvanized steel. The grate shall have a diamond-shaped opening and be ADA compliant. The flange at the bottom of the aluminum slot grate frame shall be riveted to the pipe with a minimum of two rivets per linear foot.

### Fittings

DURASLOT fittings shall be modified from fittings which conform to AASHTO M252, AASHTO M294, or ASTM F2306.

### Installation

Installation shall be in accordance with ADS recommended installation instructions. Contact your local ADS representative or visit [www.ads-pipe.com](http://www.ads-pipe.com) for a copy of the latest installation guidelines.

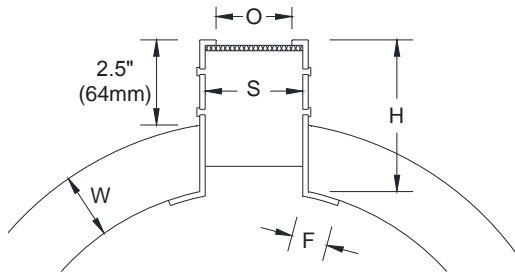
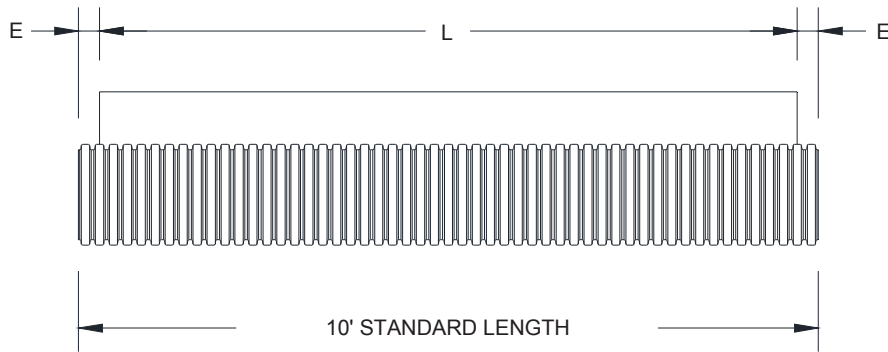


**ADS DURASLOT® STANDARD DIMENSIONS**

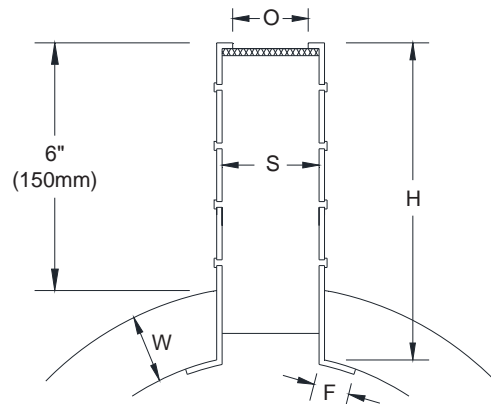
	Nominal Pipe Diameter, in (mm)									
	4"(100)	6"(150)	8"(200)	10"(250)	12"(300)	15"(375)	18"(450)	24"(600)	30"(750)	36"(900)
<b>L</b> (Drain Grate Length)	118" (3000)					116" (2950)				
<b>E</b> (Pipe End Length)	1" (25)					2" (50)				
<b>H</b> (2.5" slot)	2.75" (70)	3" (75)	3" (75)	3" (75)	3.5" (90)	3.75" (95)	4" (100)	4.75" (120)	5" (125)	5.25" (130)
<b>H</b> (6.0" slot)	6.25" (160)	6.5" (165)	6.5" (165)	6.5" (165)	7" (175)	7" (175)	7" (175)	7.25" (185)	8.25" (210)	8.25" (210)
<b>W</b> (Pipe Width w/ Corrugation)	0.34" (9)	0.46" (12)	0.61" (15)	0.73" (18)	1.15" (30)	1.30" (33)	1.57" (40)	1.86" (47)	2.55" (65)	2.85" (72)
<b>F</b> (Flange Length)	0.5" (13)	0.75" (19)	0.75" (19)	0.75" (19)	0.75" (19)	0.75" (19)	0.75" (19)	1.0" (25)	1.0" (25)	1.0" (25)
<b>O</b> (Opening Width)	1.25" (32)	1.75" (45)	1.75" (45)	1.75" (45)	1.75" (45)	1.75" (45)	1.75" (45)	1.75" (45)	1.75" (45)	1.75" (45)
<b>S</b> (Slot Width)	1.75" (45)	2.25" (57)	2.25" (57)	2.25" (57)	2.25" (57)	2.25" (57)	2.25" (57)	2.25" (57)	2.25" (57)	2.25" (57)

Note:

1. Variable and custom slot heights upon request. Production of variable and custom slots will require approval by engineering services and fabrication. Signed shop drawings also required from interested party.
2. Other grate material options upon request. Contact local ADS representative for availability of grate material option.

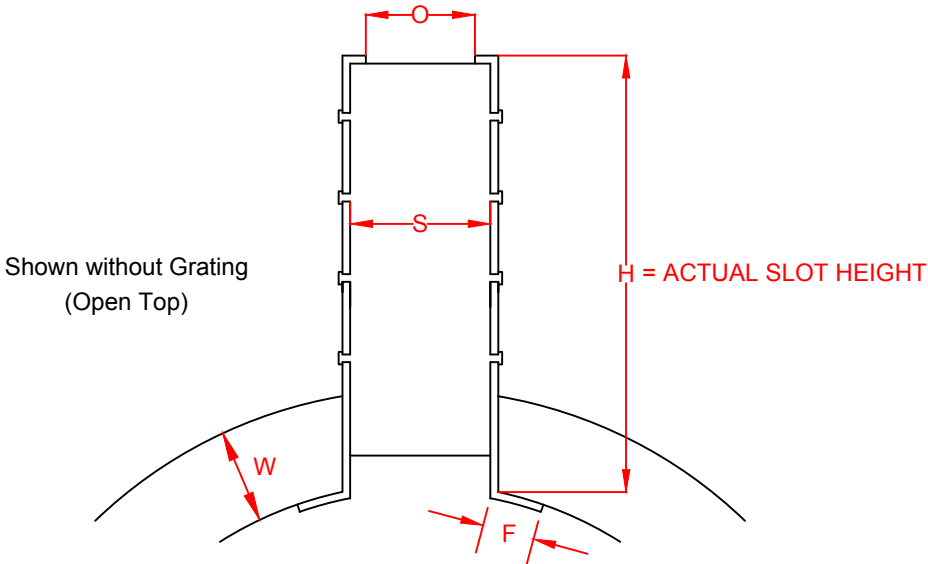


4 – 12"  
(100 – 300mm)



4 – 36"  
(100 – 900mm)

# 6"-24" DURASLOT® Pipe Dimensions For 6" Slot Riser



PIPE DIAM.	PRODUCT DESCRIPTION	H	W	F	O	S	PRODUCT # (Grated)	PRODUCT # (Open Top)
6" (150mm)	6" Slot Riser (150 mm)	6.5" (165mm)	0.5" (13mm)	0.75" (19mm)	1.75" (44mm)	2.25" (57mm)	0660DS	0660DSOT
8" (200mm)	6" Slot Riser (150 mm)	6.5" (165mm)	0.625" (16mm)	0.75" (19mm)	1.75" (44mm)	2.25" (57mm)	0860DS	0860DSOT
10" (250mm)	6" Slot Riser (150 mm)	6.5" (165mm)	0.75" (19mm)	0.75" (19mm)	1.75" (44mm)	2.25" (57mm)	1060DS	1060DSOT
12" (300mm)	6" Slot Riser (150 mm)	7.0" (178mm)	1.125" (29mm)	0.75" (19mm)	1.75" (44mm)	2.25" (57mm)	1260DS	1260DSOT
15" (375mm)	6" Slot Riser (150 mm)	7.0" (178mm)	1.25" (32mm)	0.75" (19mm)	1.75" (44mm)	2.25" (57mm)	1560DS	1560DSOT
18" (450mm)	6" Slot Riser (150 mm)	7.0" (178mm)	1.5" (38mm)	0.75" (19mm)	1.75" (44mm)	2.25" (57mm)	1860DS	1860DSOT
24" (600mm)	6" Slot Riser (150 mm)	7.25" (184mm)	1.875" (48mm)	1.0" (25mm)	1.75" (44mm)	2.25" (57mm)	2460DS	2460DSOT

Dimension from grade to pipe invert:  
 $H(\text{ACTUAL SLOT HEIGHT}) + \text{PIPE DIAMETER} + \text{RECESS}(\frac{1}{8}" - \frac{1}{4}")$

REV.	DESCRIPTION	BY	MM/DD/YY	CHK'D

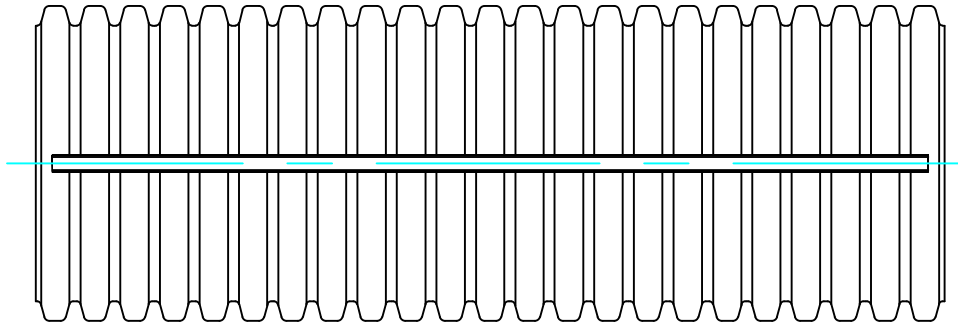
© 2018 ADS, INC.

ADVANCED DRAINAGE SYSTEMS, INC. ("ADS") HAS PREPARED THIS DETAIL BASED ON INFORMATION PROVIDED TO ADS. THIS DRAWING IS INTENDED TO DEPICT THE COMPONENTS AS REQUESTED. ADS HAS NOT PERFORMED ANY ENGINEERING OR DESIGN SERVICES FOR THIS PROJECT, NOR HAS ADS INDEPENDENTLY VERIFIED THE INFORMATION SUPPLIED. THE INSTALLATION DETAILS PROVIDED HEREIN ARE GENERAL RECOMMENDATIONS AND ARE NOT SPECIFIC FOR THIS PROJECT. THE DESIGN ENGINEER SHALL REVIEW THESE DETAILS PRIOR TO CONSTRUCTION. IT IS THE DESIGN ENGINEERS RESPONSIBILITY TO ENSURE THE DETAILS PROVIDED HEREIN MEETS OR EXCEEDS THE APPLICABLE NATIONAL, STATE, OR LOCAL REQUIREMENTS AND TO ENSURE THAT THE DETAILS PROVIDED HEREIN ARE ACCEPTABLE FOR THIS PROJECT.

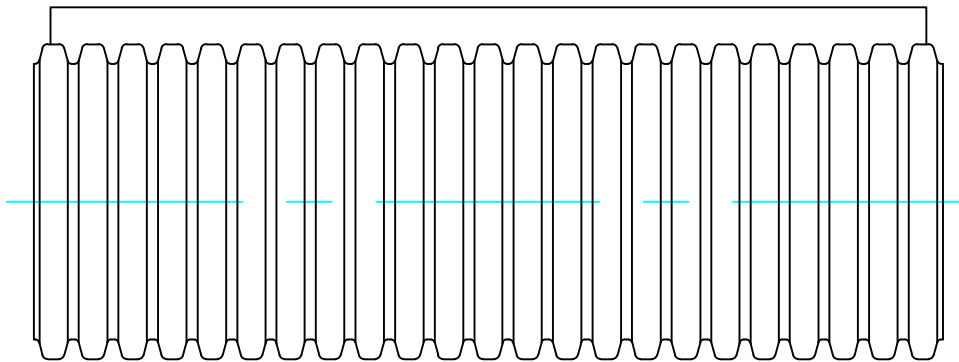
DRAWING NUMBER:

DRAWN BY:	
CHECKED BY:	
SCALE:	NTS
SHEET:	1 OF 1

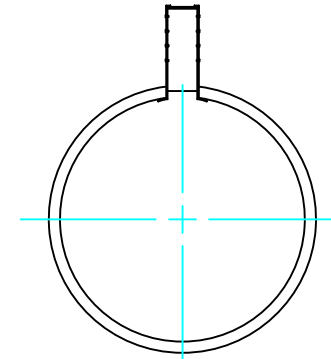
# 6"-24" DURASLOT<sup>®</sup> Pipe With 6" Slot Riser



PLAN VIEW



ELEVATION



CROSS SECTION

PIPE DIAM.	PRODUCT # (GRATED)	PRODUCT # (OPEN TOP)
6" (150mm)	0660DS	0660DSOT
8" (200mm)	0860DS	0860DSOT
10" (250mm)	1060DS	1060DSOT
12" (300mm)	1260DS	1260DSOT
15" (375mm)	1560DS	1560DSOT
18" (450mm)	1860DS	1860DSOT
24" (600mm)	2460DS	2460DSOT

© 2018 ADS, INC.

ADVANCED DRAINAGE SYSTEMS, INC. ("ADS") HAS PREPARED THIS DETAIL BASED ON INFORMATION PROVIDED TO ADS. THIS DRAWING IS INTENDED TO DEPICT THE COMPONENTS AS REQUESTED. ADS HAS NOT PERFORMED ANY ENGINEERING OR DESIGN SERVICES FOR THIS PROJECT, NOR HAS ADS INDEPENDENTLY VERIFIED THE INFORMATION SUPPLIED. THE INSTALLATION DETAILS PROVIDED HEREIN ARE GENERAL RECOMMENDATIONS AND ARE NOT SPECIFIC FOR THIS PROJECT. THE DESIGN ENGINEER SHALL REVIEW THESE DETAILS PRIOR TO CONSTRUCTION. IT IS THE DESIGN ENGINEERS RESPONSIBILITY TO ENSURE THE DETAILS PROVIDED HEREIN MEETS OR EXCEEDS THE APPLICABLE NATIONAL, STATE, OR LOCAL REQUIREMENTS AND TO ENSURE THAT THE DETAILS PROVIDED HEREIN ARE ACCEPTABLE FOR THIS PROJECT.

REV.	DESCRIPTION	BY	MM/DD/YY	CHK'D

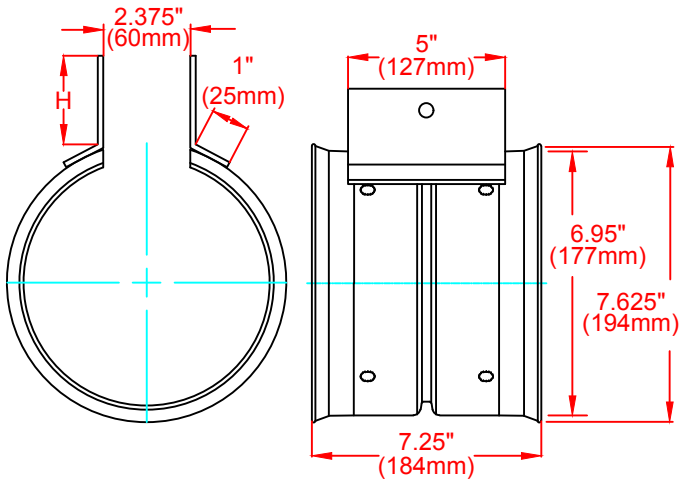
DRAWING NUMBER:



4640 TRUEMAN BLVD  
HILLIARD, OHIO 43026

DATE	
DESIGNED BY	
CHECKED BY	
SCALE	NTS
SHEET	1 OF 1

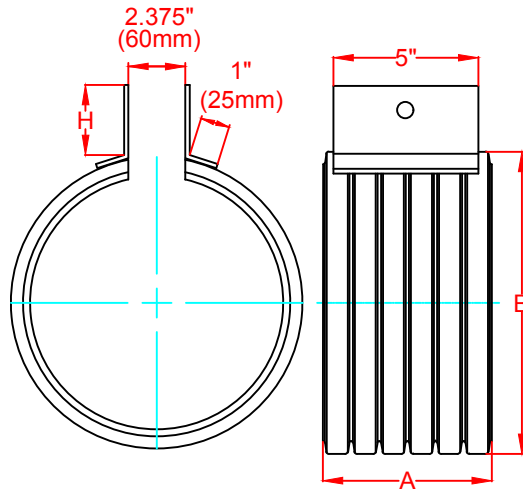
# 6"-24" DURASLOT® Coupler Bands With 6" Slot Riser



END VIEW

SIDE VIEW

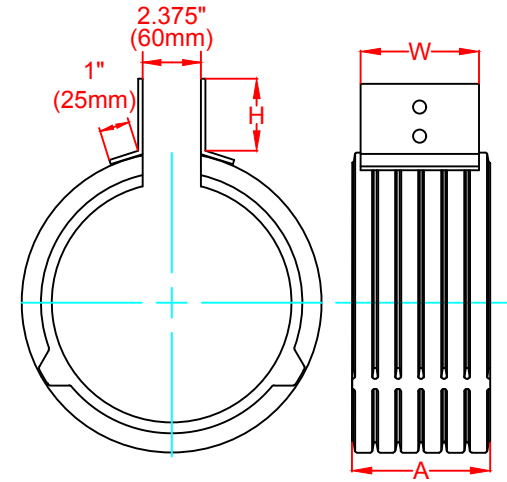
PIPE DIAM.	H	PRODUCT #
6" (150mm)	5.5" (140mm)	0626DS



END VIEW

SIDE VIEW

PIPE DIAM.	H	B	A	PRODUCT #
8" (200mm)	5.5" (140mm)	10" (254mm)	6" (152mm)	0826DS
10" (250mm)	5.5" (140mm)	12.5" (318mm)	5.5" (140mm)	1026DS



END VIEW

SIDE VIEW

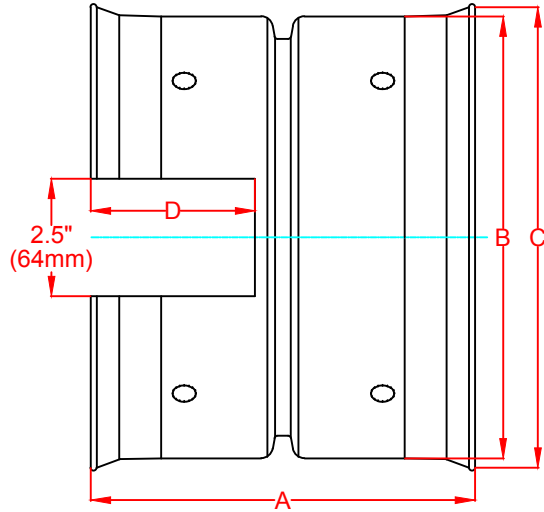
PIPE DIAM.	H	W	A	PRODUCT #
12" (300mm)	5.5" (140mm)	8" (200mm)	7.75" (197mm)	1226DS
15" (375mm)	5.5" (140mm)	9" (229mm)	10.5" (267mm)	1526DS
18" (450mm)	5" (127mm)	9" (229mm)	10.5" (267mm)	1826DS
24" (600mm)	5" (127mm)	10" (254mm)	12.63" (321mm)	2426DS

NOTE: ALL DIMENSIONS ARE FOR REFERENCE ONLY



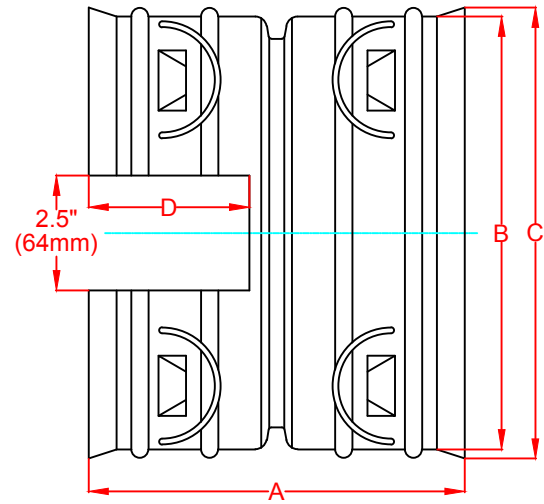
DRAWING #:		
DRAWN BY:		
APPROVED BY:		
REVISIONS:		
SCALE:	NTS	

# 6"-24" DURASLOT<sup>®</sup> Adapter With 6" Slot Riser



PIPE DIAM.	A	B	C	D	PRODUCT #
6" (150mm)	7.25" (184mm)	6.95" (177mm)	7.63" (194mm)	3" (76mm)	0662DS
8" (200mm)	8.25" (210mm)	9.17" (233mm)	10.13" (257mm)	3.5" (89mm)	0862DS
10" (250mm)	9.25" (235mm)	11.56" (294mm)	12.13" (308mm)	4" (102mm)	1062DS

NOTE: ALL DIMENSIONS ARE FOR REFERENCE ONLY



PIPE DIAM.	A	B	C	D	PRODUCT #
12" (300mm)	14" (356mm)	14.6" (371mm)	15.4" (391mm)	5.5" (140mm)	1262DS
15" (375mm)	16" (406mm)	17.75" (449mm)	18.6" (472mm)	6.5" (165mm)	1562DS
18" (450mm)	18" (457mm)	21.4" (544mm)	22.4" (569mm)	7.5" (191mm)	1862DS
24" (600mm)	14.8" (374mm)	28.2" (716mm)	29.25" (743mm)	6" (152mm)	2462DS

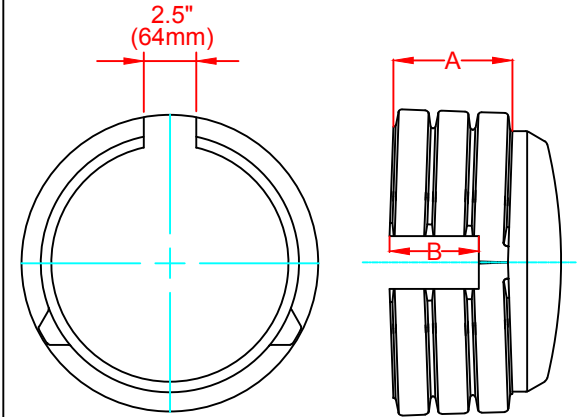
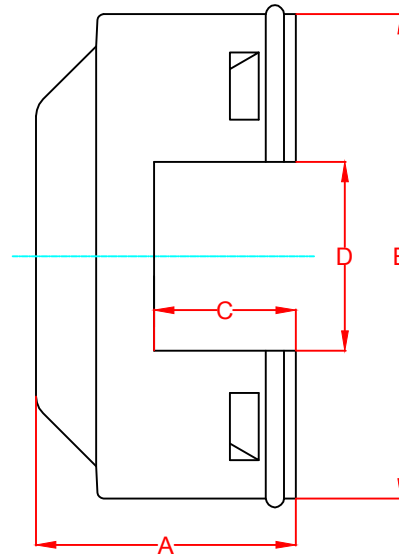
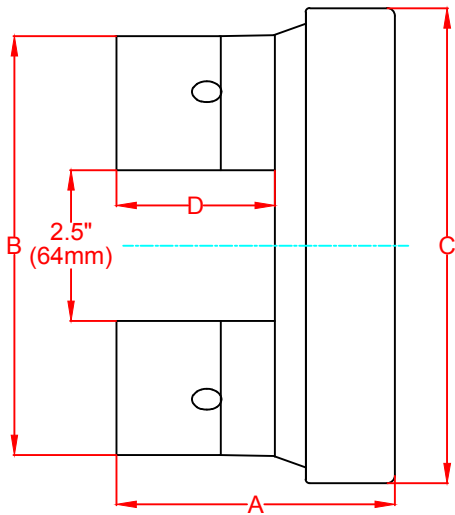
NOTE: ACCEPTABLE ALTERNATE FOR THIS PART



DRAWING #:		
DRAWN BY:		
APPROVED BY:		
REVISIONS:		
SCALE:	NTS	



# 6"-24" DURASLOT® End Cap With 6" Slot Riser



END VIEW

TOP VIEW

PIPE DIAM.	A	B	C	D	PRODUCT #
6" (150mm)	4.5" (114mm)	6.95" (177mm)	7.63" (194mm)	3" (76mm)	0633DS
10" (250mm)	5" (127mm)	11.56" (294mm)	12.13" (308mm)	3.5" (89mm)	1033DS

PIPE DIAM.	A	B	C	D	PRODUCT #
8" (200mm)	4.25" (108mm)	9.875" (248mm)	2.5" (64mm)	2.5" (64mm)	0833DS

PIPE DIAM.	A	B	PRODUCT #
12" (300mm)	5.76" (146mm)	4.25" (108mm)	1233DS
15" (375mm)	7.77" (197mm)	6.25" (159mm)	1533DS
18" (450mm)	8.04" (204mm)	6.50" (165mm)	1833DS
24" (600mm)	9.45" (240mm)	8" (200mm)	2433DS

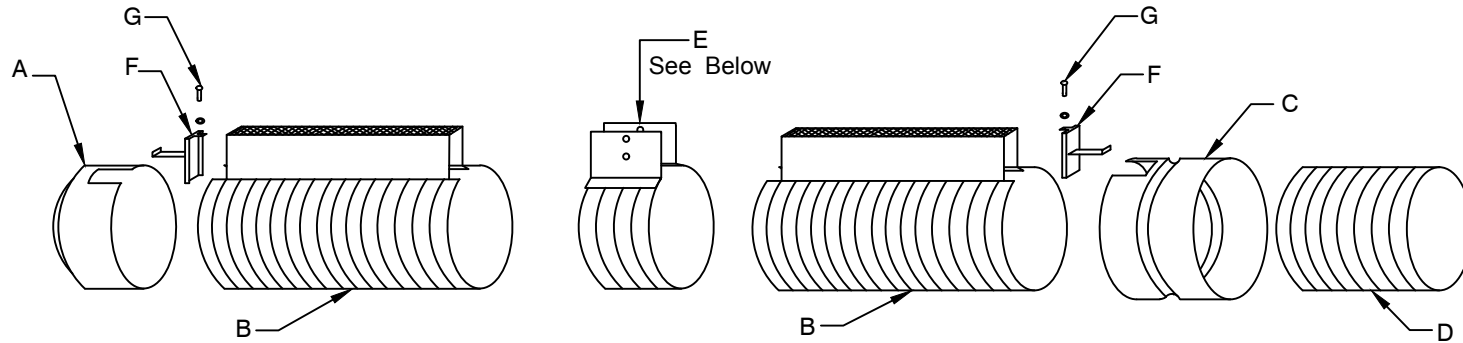
NOTE: ALL DIMENSIONS ARE FOR REFERENCE ONLY



DRAWING #:		
DRAWN BY:		
APPROVED BY:		
REVISIONS:		
SCALE:	NTS	

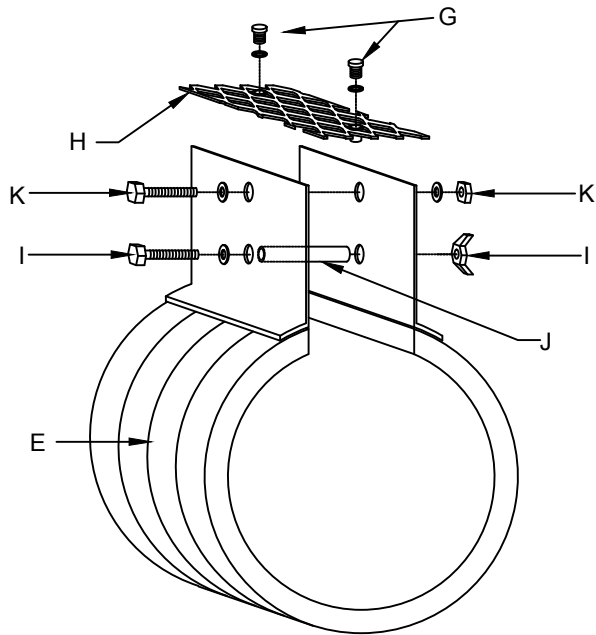


# 6"-24" DURASLOT® System Assembly With 6" Slot Riser - Grated



- A. DURASLOT End Cap
- B. DURASLOT Pipe
- C. DURASLOT Adapter
- D. N-12 Pipe
- E. DURASLOT Coupler Band
- F. DURASLOT Grate Anchor

- G.  $\frac{1}{4}$ " SPSHS x 1" Long w/ Washer
- H. DURASLOT Grate Connector
- I.  $\frac{5}{16}$ " Hex Head Screw x  $3\frac{1}{2}$ " Long w/ Washer &  $\frac{5}{16}$ " Wingnut
- J. Plastic Sleeve Spacer (Goes on I.)
- K. Hex Head Assembly:  
 $\frac{5}{16}$ " Hex Head Screw x  $3\frac{1}{2}$ " Long w/  
 (2) Washers &  $\frac{5}{16}$ " Hex Nut



**NOTE:** Each Cap (A) & Adapter (C) comes with an Anchor (F).  
 Each Coupler Band (E) comes with Hardware - G,H,I & J

© 2018 ADS, INC.

ADVANCED DRAINAGE SYSTEMS, INC. ("ADS") HAS PREPARED THIS DETAIL BASED ON INFORMATION PROVIDED TO ADS. THIS DRAWING IS INTENDED TO DEPICT THE COMPONENTS AS REQUESTED. ADS HAS NOT PERFORMED ANY ENGINEERING OR DESIGN SERVICES FOR THIS PROJECT, NOR HAS ADS INDEPENDENTLY VERIFIED THE INFORMATION SUPPLIED. THE INSTALLATION DETAILS PROVIDED HEREIN ARE GENERAL RECOMMENDATIONS AND ARE NOT SPECIFIC FOR THIS PROJECT. THE DESIGN ENGINEER SHALL REVIEW THESE DETAILS PRIOR TO CONSTRUCTION. IT IS THE DESIGN ENGINEERS RESPONSIBILITY TO ENSURE THE DETAILS PROVIDED HEREIN MEETS OR EXCEEDS THE APPLICABLE NATIONAL, STATE, OR LOCAL REQUIREMENTS AND TO ENSURE THAT THE DETAILS PROVIDED HEREIN ARE ACCEPTABLE FOR THIS PROJECT.

REV.	DESCRIPTION	BY	MM/DD/YY	CHK'D

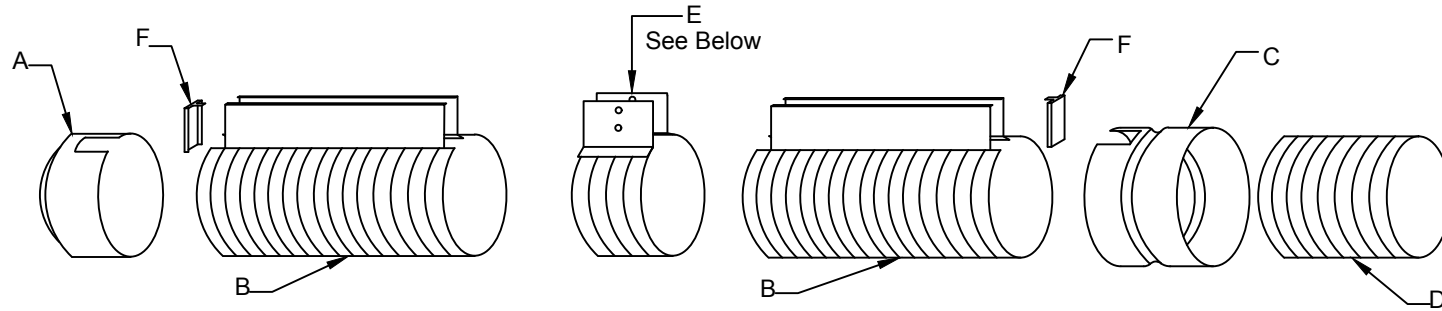
DRAWING NUMBER:



4640 TRUEMAN BLVD  
 HILLIARD, OHIO 43026

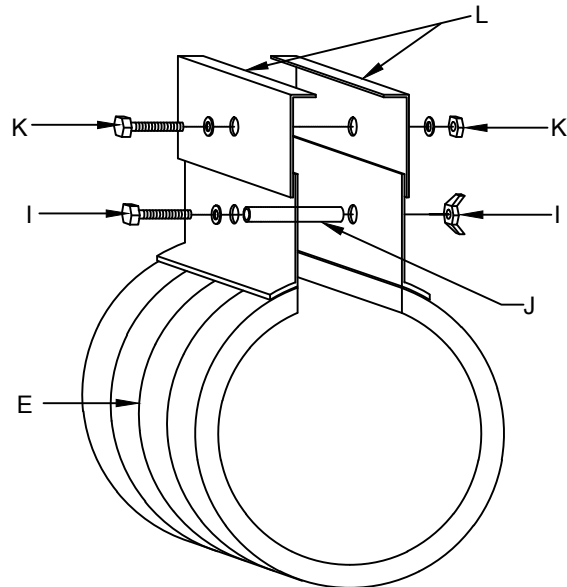
DRAWN BY:	
DATE:	
CHK'D BY:	
SCALE:	NTS
SHEET:	1 OF 1

# 6"-24" DURASLOT® System Assembly With 6" Slot Riser - Open Top



- A. DURASLOT End Cap
- B. DURASLOT Pipe
- C. DURASLOT Adapter
- D. N-12 Pipe
- E. DURASLOT Coupler Band
- F. DURASLOT Slot Cap

- I. Hex Head Assembly:  
 $\frac{5}{16}$ " Hex Head Screw x  $3\frac{1}{2}$ " Long w/ Washer &  $\frac{5}{16}$ " Wingnut
- J. Plastic Sleeve Spacer (Goes on I. - Not Used with 4" DIAM.)
- K. Hex Head Assembly:  
 $\frac{5}{16}$ " Hex Head Screw x  $3\frac{1}{2}$ " Long w/ (2) Washers &  $\frac{5}{16}$ " Hex Nut
- L. DURASLOT Band Flanges



**NOTE:** Each Cap (A) & Adapter (C) comes with a Cap (F)  
 Each Coupler Band (E) comes with Hardware - I, J, K, & L

© 2018 ADS, INC.

ADVANCED DRAINAGE SYSTEMS, INC. ("ADS") HAS PREPARED THIS DETAIL BASED ON INFORMATION PROVIDED TO ADS. THIS DRAWING IS INTENDED TO DEPICT THE COMPONENTS AS REQUESTED. ADS HAS NOT PERFORMED ANY ENGINEERING OR DESIGN SERVICES FOR THIS PROJECT, NOR HAS ADS INDEPENDENTLY VERIFIED THE INFORMATION SUPPLIED. THE INSTALLATION DETAILS PROVIDED HEREIN ARE GENERAL RECOMMENDATIONS AND ARE NOT SPECIFIC FOR THIS PROJECT. THE DESIGN ENGINEER SHALL REVIEW THESE DETAILS PRIOR TO CONSTRUCTION. IT IS THE DESIGN ENGINEERS RESPONSIBILITY TO ENSURE THE DETAILS PROVIDED HEREIN MEETS OR EXCEEDS THE APPLICABLE NATIONAL, STATE, OR LOCAL REQUIREMENTS AND TO ENSURE THAT THE DETAILS PROVIDED HEREIN ARE ACCEPTABLE FOR THIS PROJECT.

REV.	DESCRIPTION	BY	MM/DD/YY	CHK'D

DRAWING NUMBER:



4640 TRUEMAN BLVD  
 HILLIARD, OHIO 43026

Advanced Drainage Systems, Inc.

DRAWN BY:	
DATE:	
CHK'D BY:	
SCALE:	NTS
SHEET:	1 OF 1