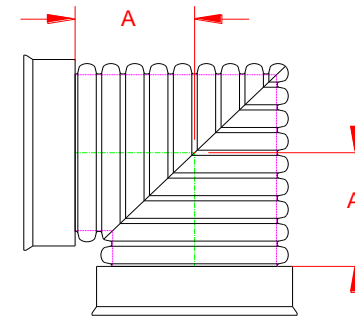


**HP STORM DUAL WALL FABRICATED 90° BENDS**  
**12" - 24" DIAMETER (BELL\BELL)**


PART #	PIPE SIZE	A	JOINT
1298AN65BP	12 in (300 mm)	10.8 in (274 mm)	WT
1598AN65BP	15 in (375 mm)	11.8 in (300 mm)	WT
1898AN65BP	18 in (450 mm)	14.7 in (373 mm)	WT
2498AN65BP	24 in (600 mm)	17.7 in (450 mm)	WT



WT (INCLUDES 2 GASKETS)

NOTE: ALL FITTINGS DIMENSIONS ARE FOR REFERENCE ONLY

© 2021 Advanced Drainage Systems, Inc.

 Advanced Drainage Systems, Inc.	DRAWING #:	HP 9850
	DRAWN BY:	TJR 2/9/2010
	APPROVED BY:	
	REVISIONS:	TJR 5/13/2014