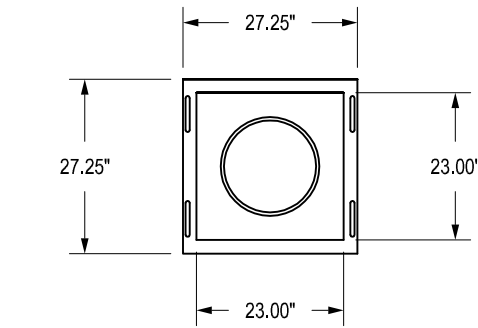
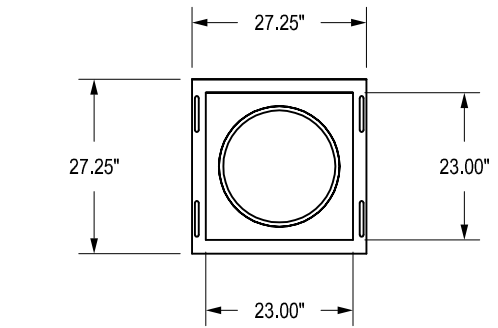


12BASEG
 2' X 2' CURB INLET
 12" BASE PLATE
 APPROX. WEIGHT = 109.00 LBS

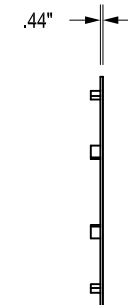
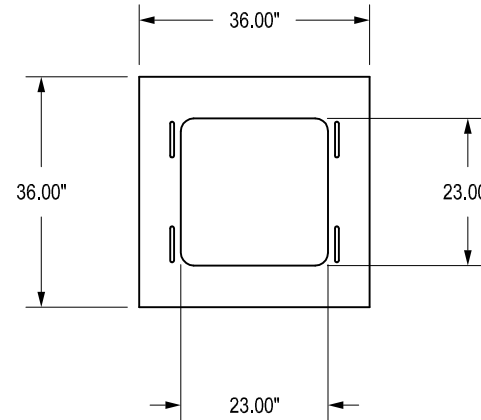
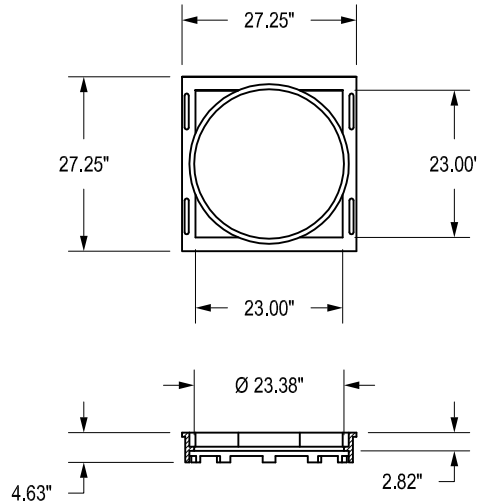


15BASEG
 2' X 2' CURB INLET
 15" BASE PLATE
 APPROX. WEIGHT = 98.00 LBS



18BASEG
 2' X 2' CURB INLET
 18" BASE PLATE
 APPROX. WEIGHT = 85.00 LBS

24BASEG
 2' X 2' CURB INLET
 24" BASE PLATE
 93.00 LBS




30BASEG
 2' X 2' CURB INLET
 30" BASE PLATE
 APPROX. WEIGHT = 82.00 LBS

DIMENSIONS ARE FOR REFERENCE ONLY
 ACTUAL DIMENSIONS MAY VARY
 DIMENSIONS ARE IN INCHES
 QUALITY: MATERIALS SHALL CONFORM TO ASTM A536
 GRADE 70-50-05
 PAINT: CASTINGS ARE FURNISHED WITH A BLACK PAINT

THIS PRINT DISCLOSES SUBJECT MATTER IN WHICH NYLOPLAST HAS PROPRIETARY RIGHTS. THE RECEIPT OR POSSESSION OF THIS PRINT DOES NOT CONFER, TRANSFER, OR LICENSE THE USE OF THE DESIGN OR TECHNICAL INFORMATION SHOWN HEREIN REPRODUCTION OF THIS PRINT OR ANY INFORMATION CONTAINED HEREIN, OR MANUFACTURE OF ANY ARTICLE HEREFROM, FOR THE DISCLOSURE TO OTHERS IS FORBIDDEN, EXCEPT BY SPECIFIC WRITTEN PERMISSION FROM NYLOPLAST.

DRAWN BY	EBC	MATERIAL
DATE	02-06-06	DUCTILE IRON
REVISED BY	CCA	PROJECT NO./NAME
DATE	09-03-13	
DWG SIZE	A	SCALE 1:30 SHEET 1 OF 1

	3130 VERONA AVE BUFORD, GA 30518 PHN (770) 932-2443 FAX (770) 932-2490 www.nyloplast-us.com
	TITLE 2 FT X 2 FT SQUARE CURB INLET BASE PLATE GENERAL DIMENSIONS
DWG NO.	7002-110-039 REV C