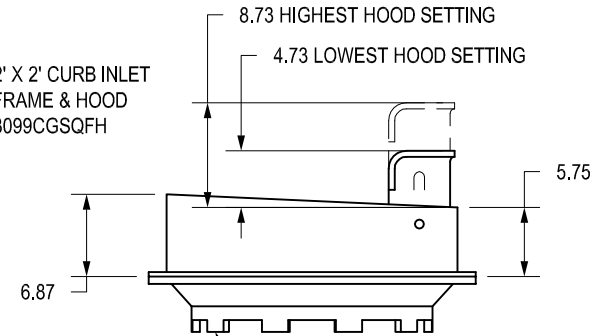
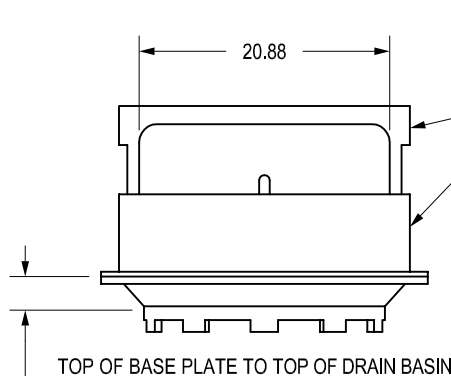
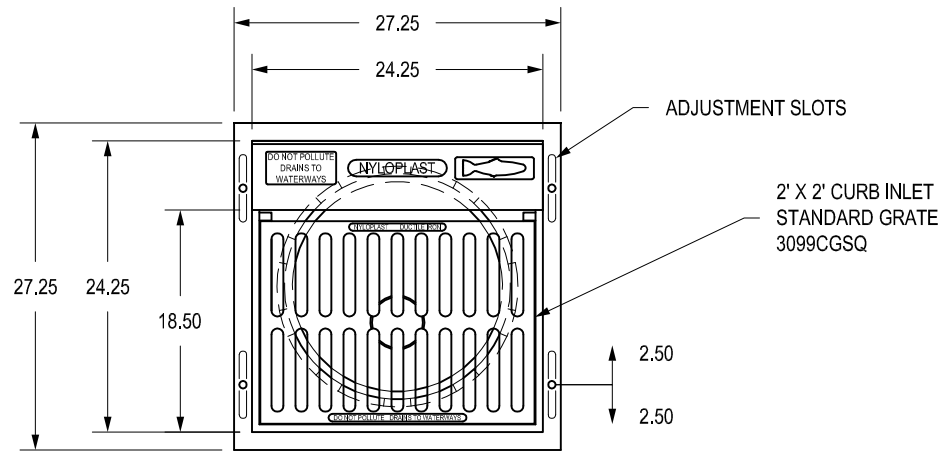
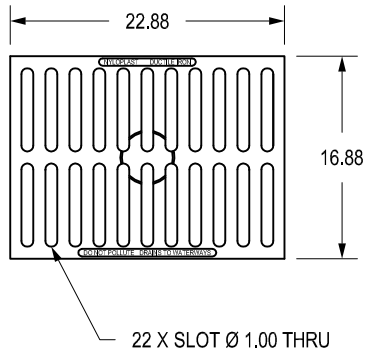


3099CGSQ & 3099CGSQFH

APPROX. GRATE DRAIN AREA = 146.18 SQ IN
 *APPROX. WEIGHT WITH FRAME & HOOD = 287.00 LBS



TOP OF BASE PLATE TO TOP OF DRAIN BASIN
 12BASEG: 2.82
 15BASEG: 2.82
 18BASEG: 2.82
 24BASEG: 2.82
 30BASEG: .38

*WEIGHT DOES NOT INCLUDE DUCTILE IRON BASE PLATE
 12BASEG: APPROX. 109.00 LBS
 15BASEG: APPROX. 98.00 LBS
 18BASEG: APPROX. 85.00 LBS
 24BASEG: APPROX. 93.00 LBS
 30BASEG: APPROX. 82.00 LBS

DIMENSIONS ARE FOR REFERENCE ONLY
 ACTUAL DIMENSIONS MAY VARY
 DIMENSIONS ARE IN INCHES
 GRATE MEETS H-20 LOAD RATING
 QUALITY: MATERIALS SHALL CONFORM TO ASTM A536 GRADE 70-50-05
 PAINT: CASTINGS ARE FURNISHED WITH A BLACK PAINT
 LOCKING DEVICE AVAILABLE UPON REQUEST SEE DRAWING NO. 7002-110-053
 SLOPE OF GRATE SURFACE IS 5.2%
 CURB INLET FRAME INSIDE VOLUME IS APPROX 1.76 CU FT
 APPROX. DRAIN AREA OF GRATE & HOOD

LOWEST SETTING = 227.37 SQ IN
 LOWEST + 1" SETTING = 248.25 SQ IN
 LOWEST + 2" SETTING = 269.12 SQ IN
 LOWEST + 3" SETTING = 290.00 SQ IN
 HIGHEST SETTING = 310.87 SQ IN

THIS PRINT DISCLOSES SUBJECT MATTER IN WHICH NYLOPLAST HAS PROPRIETARY RIGHTS. THE RECEIPT OR POSSESSION OF THIS PRINT DOES NOT CONFER, TRANSFER, OR LICENSE THE USE OF THE DESIGN OR TECHNICAL INFORMATION SHOWN HEREIN REPRODUCTION OF THIS PRINT OR ANY INFORMATION CONTAINED HEREIN, OR MANUFACTURE OF ANY ARTICLE HEREFROM, FOR THE DISCLOSURE TO OTHERS IS FORBIDDEN, EXCEPT BY SPECIFIC WRITTEN PERMISSION FROM NYLOPLAST.
 ©2013 NYLOPLAST

DRAWN BY	EBC	MATERIAL
DATE	03-28-06	DUCTILE IRON
REVISED BY	CCA	PROJECT NO./NAME
DATE	09-05-13	
DWG SIZE	A	SCALE 1:16 SHEET 1 OF 1

ADS
 Nyloplast

3130 VERONA AVE
 BUFORD, GA 30518
 PHN (770) 932-2443
 FAX (770) 932-2490
 www.nyloplast-us.com

TITLE
 2 FT X 2 FT CURB INLET STANDARD GRATE ASSEMBLY

DWG NO. 7002-110-042 REV D