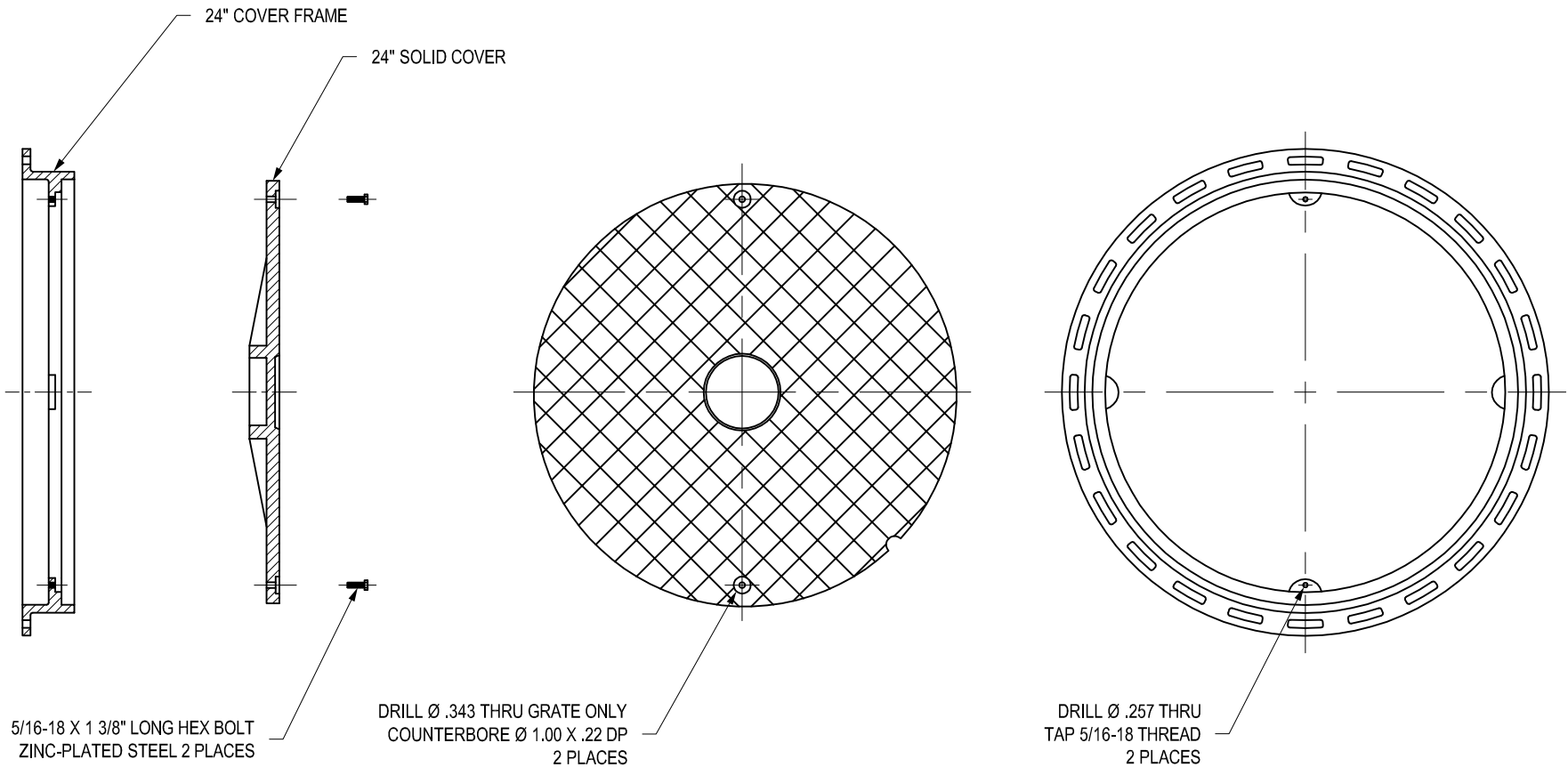



# 2499CGCL



NOTE: LOCATION OF LOCKING DEVICE MAY VARY

THIS PRINT DISCLOSES SUBJECT MATTER IN WHICH NYLOPLAST HAS PROPRIETARY RIGHTS. THE RECEIPT OR POSSESSION OF THIS PRINT DOES NOT CONFER, TRANSFER, OR LICENSE THE USE OF THE DESIGN OR TECHNICAL INFORMATION SHOWN HEREIN REPRODUCTION OF THIS PRINT OR ANY INFORMATION CONTAINED HEREIN, OR MANUFACTURE OF ANY ARTICLE HEREFROM, FOR THE DISCLOSURE TO OTHERS IS FORBIDDEN, EXCEPT BY SPECIFIC WRITTEN PERMISSION FROM NYLOPLAST.

©2010 NYLOPLAST

DRAWN BY	AWA	MATERIAL	 3130 VERONA AVE BUFORD, GA 30518 PHN (770) 932-2443 FAX (770) 932-2490 www.nyloplast-us.com
DATE	6-30-00	PROJECT NO./NAME	
REVISED BY	EBC		TITLE
DATE	2-11-10		24 IN SOLID LOCKING COVER ASSEMBLY - TYPE B
DWG SIZE	A	SCALE 1:10 SHEET 1 OF 1	DWG NO. 7001-110-025 REV C