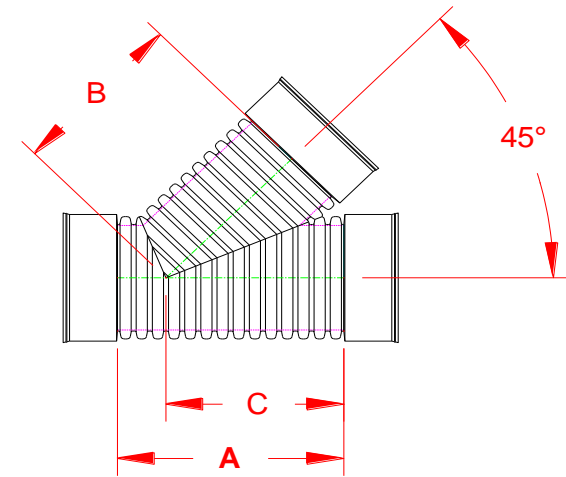


SANITITE® HP DUAL WALL FABRICATED 45° WYES
12" - 18" DIAMETER (BELL\BELL)

PART #	PIPE SIZE	A	B	C	JOINT
1284AN30BP	12 in (300 mm)	27.4 in (696 mm)	21.6 in (549 mm)	21.6 in (549 mm)	WT
1585AN30BP	15 in (375 mm)	34.1 in (865 mm)	26.2 in (665 mm)	26.2 in (665 mm)	WT
1886AN30BP	18 in (450 mm)	37.0 in (940 mm)	29.1 in (738 mm)	29.1 in (738 mm)	WT



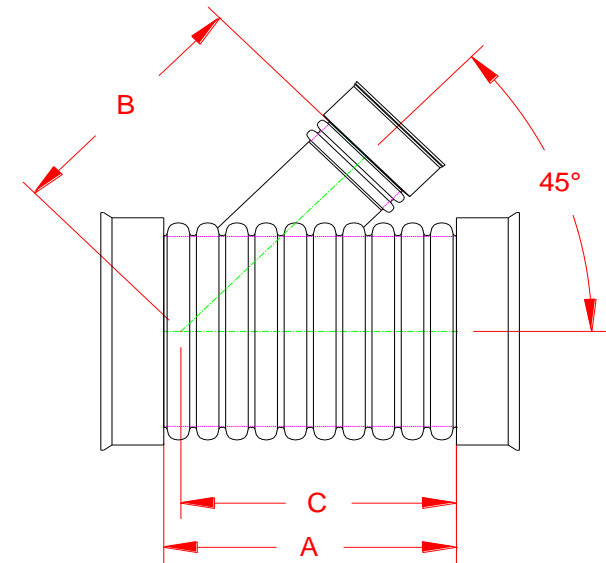
WT (INCLUDES 3 GASKETS)

NOTE: ALL FITTINGS DIMENSIONS ARE FOR REFERENCE ONLY

	DRAWING #:	HP 16000	
	DRAWN BY:	TJR	10/27/2009
	APPROVED BY:		
	REVISIONS:	TJR	3/24/2016


SANITITE® HP DUAL WALL FABRICATED REDUCING 45° WYES
15" X 12" - 24" X 12" DIAMETER (BELLBELL)

PART #	PIPE SIZE	A	B	C	JOINT
1584AN30BP	15 x 12 in (375 x 300 mm)	36.7 in (932 mm)	27.8 in (706 mm)	26.9 in (683 mm)	WT
1884AN30BP	18 x 12 in (450 x 300 mm)	37.0 in (940 mm)	30.4 in (772 mm)	29.4 in (747 mm)	WT
1885AN30BP	18 x 15 in (450 x 375 mm)	42.3 in (1074 mm)	35.7 in (907 mm)	32.0 in (813 mm)	WT
2484AN30BP	24 x 12 in (600 x 300 mm)	41.3 in (1050 mm)	35.0 in (889 mm)	34.4 in (874 mm)	WT



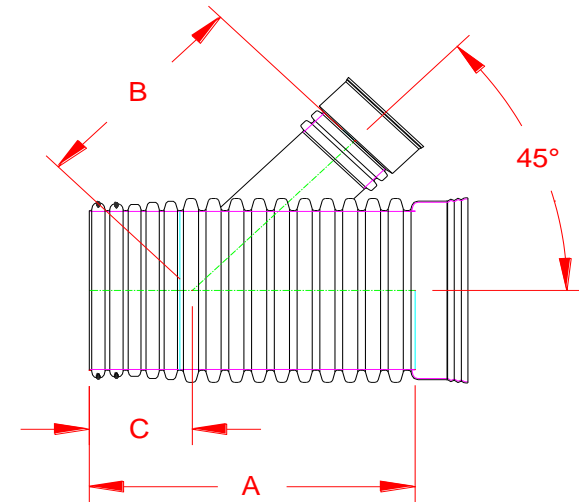
WT (INCLUDES 3 GASKETS)

NOTE: ALL FITTINGS DIMENSIONS ARE FOR REFERENCE ONLY

	DRAWING #:	HP 16100
	DRAWN BY:	TJR 10/27/2009
	APPROVED BY:	
	REVISIONS:	TJR 8/16/2010


SANITITE® HP DUAL WALL FABRICATED REDUCING 45° WYES
30" x 12" - 30" x 15" DIAMETER (IB BELL\IB SPIGOT\BELL)

PART #	PIPE SIZE	A	B	C	JOINT
3084AN30BP	30 x 12 in (750x 300 mm)	53.0 in (1346 mm)	39.4 in (1000 mm)	15.2 in (387 mm)	WT
3085AN30BP	30 x 15 in (750 x 375 mm)	57.0 in (1447 mm)	40.1 in (1020 mm)	18.0 in (458 mm)	WT



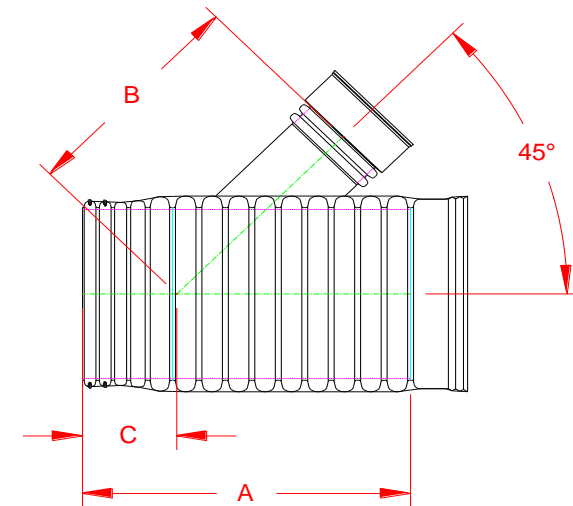
WT (INCLUDES 3 GASKETS)

NOTE: ALL FITTINGS DIMENSIONS ARE FOR REFERENCE ONLY

	DRAWING #:	HP 16150
	DRAWN BY:	TJR 8/16/2010
	APPROVED BY:	
	REVISIONS:	

SANITITE® HP TRIPLE WALL FABRICATED REDUCING 45° WYES
30" x 12" - 42" x 24" DIAMETER (IB BELL\IB SPIGOT\BELL)

PART #	PIPE SIZE	A	B	C	JOINT
3084AN30BPT	30 x 12 in (750x 300 mm)	53.0 in (1346 mm)	39.4 in (1000 mm)	15.6 in (395 mm)	WT
3085AN30BPT	30 x 15 in (750 x 375 mm)	57.0 in (1447 mm)	40.1 in (1020 mm)	19.3 in (491 mm)	WT
3684AN30BPT	36 x 12 in (900x 300 mm)	55.4 in (1407 mm)	45.2 in (1148 mm)	18.0 in (458 mm)	WT
3685AN30BPT	36 x 15 in (900 x 375 mm)	60.7 in (1543 mm)	45.3 in (1151 mm)	20.5 in (520 mm)	WT
3686AN30BPT	36 x 18 in (900 x 450mm)	66.1 in (1678 mm)	47.3 in (1202 mm)	19.0 in (482 mm)	WT
4284AN30BPT	42 x 12 in (1050 x 300 mm)	52.2 in (1326 mm)	48.5 in (1231 mm)	9.8 in (249 mm)	WT
4285AN30BPT	42 x 15 in (1050 x 375 mm)	56.4 in (1432 mm)	48.6 in (1235 mm)	11.9 in (301 mm)	WT
4286AN30BPT	42 x 18 in (1050 x 450 mm)	60.6 in (1539 mm)	50.6 in (1285 mm)	14.1 in (357 mm)	WT
4287AN30BPT	42 x 24 in (1050 x 600 mm)	69.0 in (1752 mm)	54.1 in (1374 mm)	18.3 in (465 mm)	WT



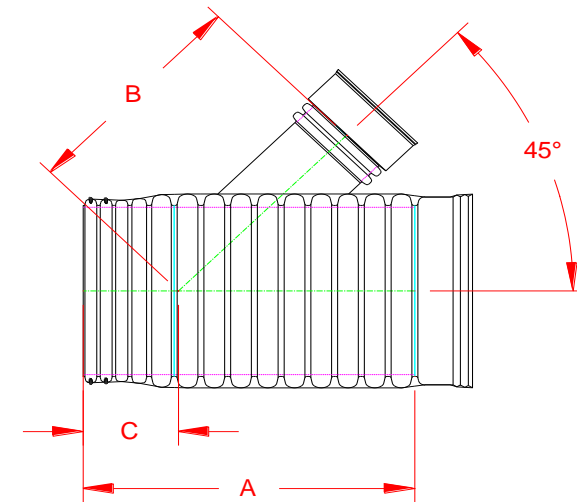
WT (INCLUDES 3 GASKETS)

NOTE: ALL FITTINGS DIMENSIONS ARE FOR REFERENCE ONLY

 Advanced Drainage Systems, Inc.™	DRAWING #:	HP 16200
	DRAWN BY:	TJR 10/29/2009
	APPROVED BY:	
	REVISIONS:	TJR 8/8/2011


SANITITE® HP TRIPLE WALL FABRICATED REDUCING 45° WYES
48" x 12" - 60" x 24" DIAMETER (IB BELL\IB SPIGOT\BELL)

PART #	PIPE SIZE	A	B	C	JOINT
4884AN30BPT	48 x 12 in (1200 x 300 mm)	63.3 in (1608 mm)	53.3 in (1353 mm)	15.5 in (393 mm)	WT
4885AN30BPT	48 x 15 in (1200 x 375 mm)	63.3 in (1608 mm)	53.4 in (1356 mm)	12.9 in (327 mm)	WT
4886AN30BPT	48 x 18 in (1200 x 450 mm)	68.5 in (1741 mm)	55.7 in (1416 mm)	15.4 in (391 mm)	WT
4887AN30BPT	48 x 24 in (1200 x 600 mm)	79.0 in (2007 mm)	60.0 in (1525 mm)	19.5 in (495 mm)	WT
6084AN30BPT	60 x 12 in (1500 x 300 mm)	72.0 in (1829 mm)	62.5 in (1587 mm)	15.5 in (394 mm)	WT
6085AN30BPT	60 x 15 in (1500 x 375 mm)	78.1 in (1983 mm)	62.5 in (1587 mm)	18.5 in (470 mm)	WT
6086AN30BPT	60 x 18 in (1500 x 450 mm)	78.1 in (1983 mm)	64.8 in (1647 mm)	18.5 in (470 mm)	WT
6087AN30BPT	60 x 24 in (1500 x 600 mm)	90.3 in (2293 mm)	69.1 in (1756 mm)	24.5 in (623 mm)	WT



WT (INCLUDES 3 GASKETS)

NOTE: ALL FITTINGS DIMENSIONS ARE FOR REFERENCE ONLY

	DRAWING #:	HP 16300	
	DRAWN BY:	TJR	10/29/2009
	APPROVED BY:		
	REVISIONS:	TJR	8/8/2011