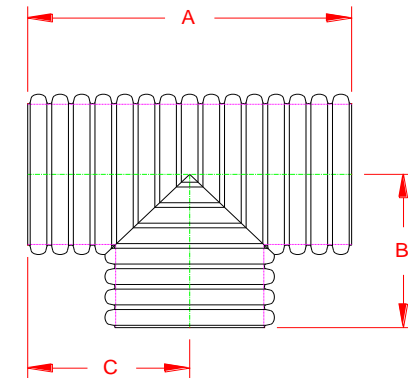


HP STORM DUAL WALL FABRICATED TEES
12" - 60" DIAMETER (PLAIN END)

PART #	PIPE SIZE	A	B	C	JOINT
1264ANP	12 in (300 mm)	31.4 in (798 mm)	15.7 in (399 mm)	15.7 in (399 mm)	ST
1565ANP	15 in (375 mm)	41.9 in (1064 mm)	21.0 in (533 mm)	21.0 in (533 mm)	ST
1866ANP	18 in (450 mm)	42.2 in (1072 mm)	21.1 in (536 mm)	21.1 in (536 mm)	ST
2467ANP	24 in (600 mm)	50.9 in (1293 mm)	25.5 in (648 mm)	25.5 in (648 mm)	ST
3068ANP	30 in (750 mm)	63.7 in (1618 mm)	31.8 in (808 mm)	31.8 in (808 mm)	ST
3669ANP	36 in (900 mm)	78.7 in (1999 mm)	39.4 in (1001 mm)	39.4 in (999 mm)	ST
4251ANP	42 in (1050 mm)	71.9 in (1827 mm)	36.0 in (914 mm)	36.0 in (914 mm)	ST
4851ANP	48 in (1200 mm)	78.5 in (1994 mm)	39.3 in (998 mm)	39.3 in (997 mm)	ST
6051ANP	60 in (1500 mm)	90.0 in (2286 mm)	45.0 in (1143 mm)	45.0 in (1143 mm)	ST



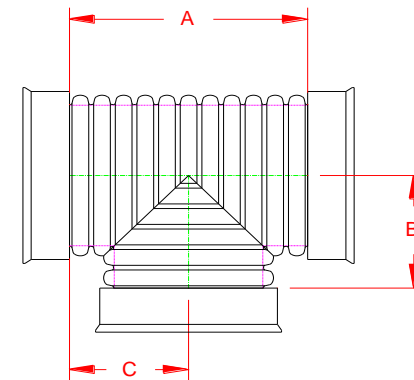
NOTE: ALL FITTINGS DIMENSIONS ARE FOR REFERENCE ONLY

© 2021 Advanced Drainage Systems, Inc.

	DRAWING #:	HP 11000
	DRAWN BY:	TJR 10/15/2009
	APPROVED BY:	
	REVISIONS:	TJR 3/24/2016

HP STORM DUAL WALL FABRICATED TEES
12" - 24" DIAMETER (BELL\BELL)

PART #	PIPE SIZE	A	B	C	JOINT
1264AN65BP	12 in (300 mm)	21.6 in (548 mm)	10.8 in (274 mm)	10.8 in (274 mm)	WT
1565AN65BP	15 in (375 mm)	26.2 in (665 mm)	13.1 in (333 mm)	13.1 in (333 mm)	WT
1866AN65BP	18 in (450 mm)	26.4 in (671 mm)	13.2 in (335 mm)	13.2 in (336 mm)	WT
2467AN65BP	24 in (600 mm)	38.2 in (969 mm)	19.1 in (485 mm)	19.1 in (485 mm)	WT



WT (INCLUDES 3 GASKETS)

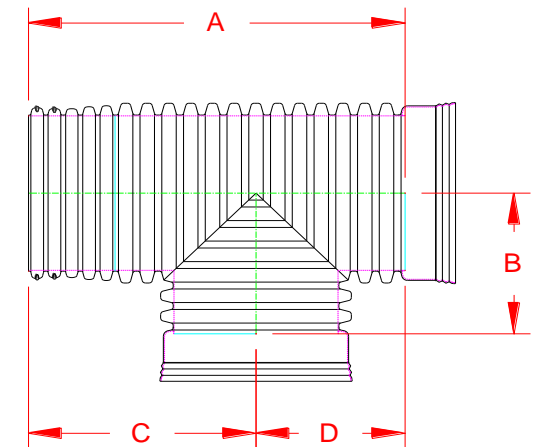
NOTE: ALL FITTINGS DIMENSIONS ARE FOR REFERENCE ONLY

© 2021 Advanced Drainage Systems, Inc.

 <small>Advanced Drainage Systems, Inc.</small>	DRAWING #:	HP 11100
	DRAWN BY:	TJR 10/15/2009
	APPROVED BY:	
	REVISIONS:	TJR 3/24/2016

HP STORM DUAL WALL FABRICATED TEES
30" - 60" DIAMETER (IB BELL\IB SPIGOT\IB BELL)

PART #	PIPE SIZE	A	B	C	D	JOINT
3068AN65BP	30 in (750 mm)	64.9 in (1649 mm)	25.3 in (642 mm)	39.6 in (1007 mm)	25.3 in (642 mm)	WT
3669AN65BP	36 in (900 mm)	68.0 in (1728 mm)	29.1 in (739 mm)	38.9 in (989 mm)	29.1 in (739 mm)	WT
4251AN65BP	42 in (1050 mm)	76.9 in (1954 mm)	36.6 in (929 mm)	40.4 in (1025 mm)	36.6 in (929 mm)	WT
4851AN65BP	48 in (1200 mm)	78.7 in (1998 mm)	34.0 in (864 mm)	44.7 in (1134 mm)	34.0 in (864 mm)	WT
6051AN65BP	60 in (1500 mm)	92.2 in (2341 mm)	39.0 in (991 mm)	53.2 in (1351 mm)	39.0 in (991 mm)	WT



WT (INCLUDES 2 GASKETS)

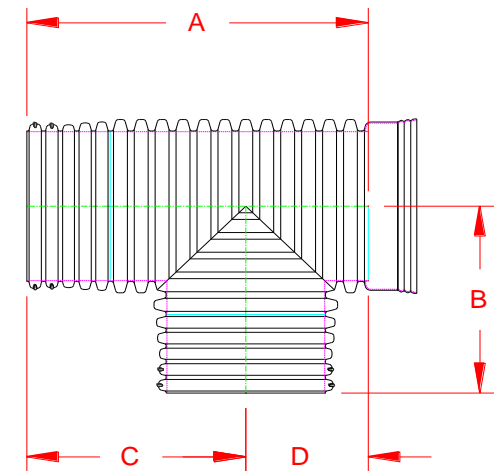
NOTE: ALL FITTINGS DIMENSIONS ARE FOR REFERENCE ONLY

© 2021 Advanced Drainage Systems, Inc.

 Advanced Drainage Systems, Inc.	DRAWING #:	HP 11150
	DRAWN BY:	TJR 11/17/2009
	APPROVED BY:	
	REVISIONS:	TJR 3/24/2016

**HP STORM DUAL WALL FABRICATED TEES
30" - 60" DIAMETER (IB BELL\IB SPIGOT\IB SPIGOT)**

PART #	PIPE SIZE	A	B	C	D	JOINT
3068AN65GP	30 in (750 mm)	64.9 in (1649 mm)	39.6 in (1007 mm)	39.6 in (1007 mm)	25.3 in (642 mm)	WT
3669AN65GP	36 in (900 mm)	68.0 in (1728 mm)	38.9 in (989 mm)	38.9 in (989 mm)	29.1 in (739 mm)	WT
4251AN65GP	42 in (1050 mm)	76.9 in (1954 mm)	40.4 in (1026 mm)	40.4 in (1025 mm)	36.6 in (929 mm)	WT
4851AN65GP	48 in (1200 mm)	78.7 in (1998 mm)	44.7 in (1136 mm)	44.7 in (1134 mm)	34.0 in (864 mm)	WT
6051AN65GP	60 in (1500 mm)	92.2 in (2341 mm)	53.2 in (1351 mm)	53.2 in (1351 mm)	39.0 in (991 mm)	WT



WT (INCLUDES 4 GASKETS)

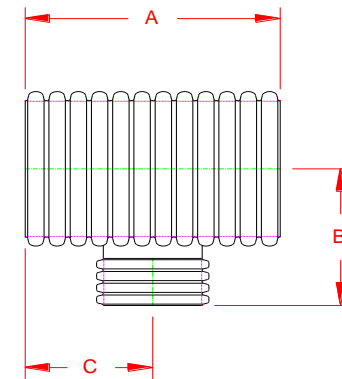
NOTE: ALL FITTINGS DIMENSIONS ARE FOR REFERENCE ONLY

© 2021 Advanced Drainage Systems, Inc.

 Advanced Drainage Systems, Inc.	DRAWING #:	HP 11175
	DRAWN BY:	TJR 11/17/2009
	APPROVED BY:	
	REVISIONS:	TJR 3/24/2016

HP STORM DUAL WALL FABRICATED REDUCING TEES
15" X 12" - 36" X 24" DIAMETER (PLAIN END)

PART #	PIPE SIZE	A	B	C	JOINT
1564ANP	15 x 12 in (375 x 300 mm)	36.7 in (932 mm)	18.0 in (457 mm)	18.3 in (466 mm)	ST
1864ANP	18 x 12 in (450 x 300 mm)	37.0 in (940 mm)	19.3 in (490 mm)	18.5 in (470 mm)	ST
1865ANP	18 x 15 in (450 x 375 mm)	39.6 in (1007 mm)	22.8 in (579 mm)	19.8 in (503 mm)	ST
2464ANP	24 x 12 in (600 x 300 mm)	41.3 in (1050 mm)	23.0 in (584 mm)	20.7 in (525 mm)	ST
2465ANP	24 x 15 in (600 x 375 mm)	44.5 in (1131 mm)	26.6 in (676 mm)	22.3 in (565 mm)	ST
2466ANP	24 x 18 in (600 x 450 mm)	47.7 in (1212 mm)	26.6 in (676 mm)	23.9 in (606 mm)	ST
3064ANP	30 x 12 in (750 x 300 mm)	47.8 in (1213 mm)	26.8 in (681 mm)	23.9 in (607 mm)	ST
3065ANP	30 x 15 in (750 x 375 mm)	51.7 in (1314 mm)	30.2 in (767 mm)	25.9 in (657 mm)	ST
3066ANP	30 x 18 in (750 x 450 mm)	55.7 in (1415 mm)	30.2 in (767 mm)	27.9 in (708 mm)	ST
3067ANP	30 x 24 in (750 x 600 mm)	59.7 in (1516 mm)	33.1 in (841 mm)	29.9 in (758 mm)	ST
3664ANP	36 x 12 in (900 x 300 mm)	47.2 in (1199 mm)	30.1 in (765 mm)	23.6 in (600 mm)	ST
3665ANP	36 x 15 in (900 x 375 mm)	52.5 in (1333 mm)	33.5 in (851 mm)	26.2 in (666 mm)	ST
3666ANP	36 x 18 in (900 x 450 mm)	57.7 in (1466 mm)	33.5 in (851 mm)	28.9 in (733 mm)	ST
3667ANP	36 x 24 in (900 x 600 mm)	63.0 in (1599 mm)	36.4 in (925 mm)	31.5 in (800 mm)	ST



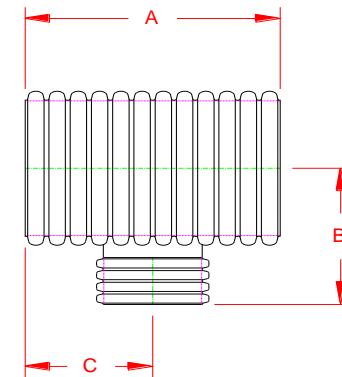
NOTE: ALL FITTINGS DIMENSIONS ARE FOR REFERENCE ONLY

© 2021 Advanced Drainage Systems, Inc.

 Advanced Drainage Systems, Inc.	DRAWING #:	HP 11200
	DRAWN BY:	TJR 10/15/2009
	APPROVED BY:	
	REVISIONS:	TJR 5/13/2014

HP STORM DUAL WALL FABRICATED REDUCING TEES
42" X 12" - 60" X 24" DIAMETER (PLAIN END)

PART #	PIPE SIZE	A	B	C	JOINT
4264ANP	42 x 12 in (1050 x 300 mm)	46.3 in (1175 mm)	33.2 in (843 mm)	23.1 in (587 mm)	ST
4265ANP	42 x 15 in (1050 x 375 mm)	51.4 in (1305 mm)	36.6 in (930 mm)	25.7 in (653 mm)	ST
4266ANP	42 x 18 in (1050 x 450 mm)	56.5 in (1436 mm)	36.6 in (930 mm)	28.3 in (718 mm)	ST
4267ANP	42 x 24 in (1050 x 600 mm)	61.7 in (1566 mm)	39.5 in (1003 mm)	30.8 in (783 mm)	ST
4864ANP	48 x 12 in (1200 x 300 mm)	47.1 in (1196 mm)	36.2 in (919 mm)	23.6 in (598 mm)	ST
4865ANP	48 x 15 in (1200 x 375 mm)	52.3 in (1329 mm)	39.6 in (1006 mm)	26.2 in (665 mm)	ST
4866ANP	48 x 18 in (1200 x 450 mm)	57.6 in (1462 mm)	39.6 in (1006 mm)	28.8 in (731 mm)	ST
4867ANP	48 x 24 in (1200 x 600 mm)	62.8 in (1595 mm)	42.5 in (1080 mm)	31.4 in (798 mm)	ST
6064ANP	60 x 12 in (1500 x 300 mm)	54.0 in (1372 mm)	42.5 in (1080 mm)	27.0 in (686 mm)	ST
6065ANP	60 x 15 in (1500 x 375 mm)	54.0 in (1372 mm)	46.0 in (1168 mm)	27.0 in (686 mm)	ST
6066ANP	60 x 18 in (1500 x 450 mm)	60.0 in (1524 mm)	46.0 in (1168 mm)	30.0 in (762 mm)	ST
6067ANP	60 x 24 in (1500 x 600 mm)	66.0 in (1676 mm)	48.9 in (1242 mm)	33.0 in (838 mm)	ST



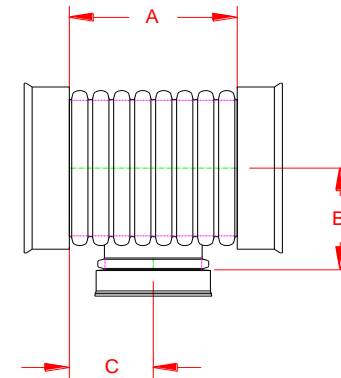
NOTE: ALL FITTINGS DIMENSIONS ARE FOR REFERENCE ONLY

© 2021 Advanced Drainage Systems, Inc.

 Advanced Drainage Systems, Inc.	DRAWING #:	HP 11300
	DRAWN BY:	TJR 10/15/2009
	APPROVED BY:	
	REVISIONS:	TJR 5/13/2014

**HP STORM DUAL WALL FABRICATED REDUCING TEES
15" X 12" - 24" X 18" DIAMETER (BELLBELL)**

PART #	PIPE SIZE	A	B	C	JOINT
1564AN65BP	15 x 12 in (375 x 300 mm)	26.2 in (665 mm)	14.1 in (358 mm)	13.1 in (333 mm)	WT
1864AN65BP	18 x 12 in (450 x 300 mm)	26.4 in (671 mm)	15.5 in (394 mm)	13.2 in (336 mm)	WT
1865AN65BP	18 x 15 in (450 x 375 mm)	29.1 in (738 mm)	17.6 in (447 mm)	14.5 in (369 mm)	WT
2464AN65BP	24 x 12 in (600 x 300 mm)	28.6 in (727 mm)	19.3 in (490 mm)	14.3 in (363 mm)	WT
2465AN65BP	24 x 15 in (600 x 375 mm)	31.8 in (808 mm)	21.4 in (544 mm)	15.9 in (404 mm)	WT
2466AN65BP	24 x 18 in (600 x 450 mm)	35.0 in (888 mm)	21.2 in (538 mm)	17.5 in (444 mm)	WT



WT (INCLUDES 3 GASKETS)

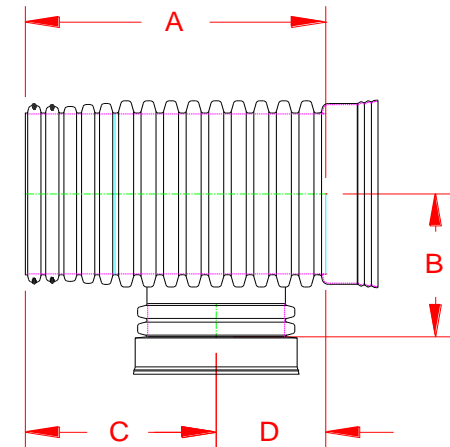
NOTE: ALL FITTINGS DIMENSIONS ARE FOR REFERENCE ONLY

© 2021 Advanced Drainage Systems, Inc.

 Advanced Drainage Systems, Inc.	DRAWING #:	HP 11400
	DRAWN BY:	TJR 10/15/2009
	APPROVED BY:	
	REVISIONS:	TJR 5/13/2014

**HP STORM DUAL WALL FABRICATED REDUCING TEES
30" X 12" - 36" X 24" DIAMETER (IB BELL\IB SPIGOT\BELL)**

PART #	PIPE SIZE	A	B	C	D	JOINT
3064AN65BP	30 x 12 in (750 x 300 mm)	41.1 in (1043 mm)	22.9 in (582 mm)	27.7 in (704 mm)	13.4 in (339 mm)	WT
3065AN65BP	30 x 15 in (750 x 375 mm)	45.0 in (1144 mm)	25.0 in (635 mm)	29.7 in (754 mm)	15.3 in (390 mm)	WT
3066AN65BP	30 x 18 in (750 x 450 mm)	49.0 in (1245 mm)	24.8 in (630 mm)	31.7 in (805 mm)	17.3 in (440 mm)	WT
3067AN65BP	30 x 24 in (750 x 600 mm)	53.0 in (1346 mm)	26.8 in (681 mm)	33.7 in (855 mm)	19.3 in (491 mm)	WT
3664AN65BP	36 x 12 in (900 x 300 mm)	36.5 in (928 mm)	24.3 in (617 mm)	23.2 in (589 mm)	13.4 in (339 mm)	WT
3665AN65BP	36 x 15 in (900 x 375 mm)	41.8 in (1061 mm)	25.8 in (655 mm)	25.8 in (656 mm)	16.0 in (406 mm)	WT
3666AN65BP	36 x 18 in (900 x 450 mm)	47.0 in (1195 mm)	25.5 in (648 mm)	28.4 in (722 mm)	18.6 in (472 mm)	WT
3667AN65BP	36 x 24 in (900 x 600 mm)	52.3 in (1328 mm)	27.0 in (686 mm)	31.1 in (789 mm)	21.2 in (539 mm)	WT



WT (INCLUDES 3 GASKETS)

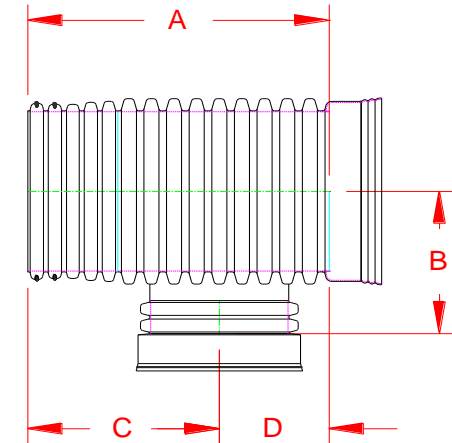
NOTE: ALL FITTINGS DIMENSIONS ARE FOR REFERENCE ONLY

© 2021 Advanced Drainage Systems, Inc.

 Advanced Drainage Systems, Inc.	DRAWING #:	HP 11450
	DRAWN BY:	TJR 11/17/2009
	APPROVED BY:	
	REVISIONS:	TJR 5/13/2014

**HP STORM DUAL WALL FABRICATED REDUCING TEES
42" X 12" - 60" X 24" DIAMETER (IB BELL\IB SPIGOT\BELL)**


PART #	PIPE SIZE	A	B	C	D	JOINT
4264AN65BP	42 x 12 in (1050 x 300 mm)	35.8 in (910 mm)	27.4 in (696 mm)	22.4 in (568 mm)	13.4 in (341 mm)	WT
4265AN65BP	42 x 15 in (1050 x 375 mm)	41.0 in (1040 mm)	28.9 in (734 mm)	24.9 in (633 mm)	16.0 in (407 mm)	WT
4266AN65BP	42 x 18 in (1050 x 450 mm)	46.1 in (1170 mm)	28.6 in (726 mm)	27.5 in (699 mm)	18.6 in (472 mm)	WT
4267AN65BP	42 x 24 in (1050 x 600 mm)	51.2 in (1301 mm)	30.1 in (765 mm)	30.1 in (764 mm)	21.2 in (537 mm)	WT
4864AN65BP	48 x 12 in (1200 x 300 mm)	36.8 in (935 mm)	30.4 in (772 mm)	23.7 in (602 mm)	13.1 in (332 mm)	WT
4865AN65BP	48 x 15 in (1200 x 375 mm)	42.0 in (1068 mm)	31.9 in (810 mm)	26.3 in (669 mm)	15.7 in (399 mm)	WT
4866AN65BP	48 x 18 in (1200 x 450 mm)	47.3 in (1200 mm)	31.6 in (803 mm)	29.0 in (736 mm)	18.3 in (465 mm)	WT
4867AN65BP	48 x 24 in (1200 x 600 mm)	52.5 in (1334 mm)	33.1 in (841 mm)	31.6 in (802 mm)	20.9 in (531 mm)	WT
6064AN65BP	60 x 12 in (1500 x 300 mm)	44.2 in (1122 mm)	36.8 in (935 mm)	29.2 in (741 mm)	15.0 in (381 mm)	WT
6065AN65BP	60 x 15 in (1500 x 375 mm)	44.2 in (1122 mm)	38.2 in (970 mm)	29.2 in (741 mm)	15.0 in (381 mm)	WT
6066AN65BP	60 x 18 in (1500 x 450 mm)	50.2 in (1274 mm)	37.9 in (963 mm)	32.2 in (817 mm)	18.0 in (457 mm)	WT
6067AN65BP	60 x 24 in (1500 x 600 mm)	56.2 in (1427 mm)	39.4 in (1001 mm)	35.2 in (894 mm)	21.0 in (533 mm)	WT



WT (INCLUDES 3 GASKETS)

NOTE: ALL FITTINGS DIMENSIONS ARE FOR REFERENCE ONLY

© 2021 Advanced Drainage Systems, Inc.

 Advanced Drainage Systems, Inc.	DRAWING #:	HP 11500
	DRAWN BY:	TJR 11/17/2009
	APPROVED BY:	
	REVISIONS:	TJR 5/13/2014