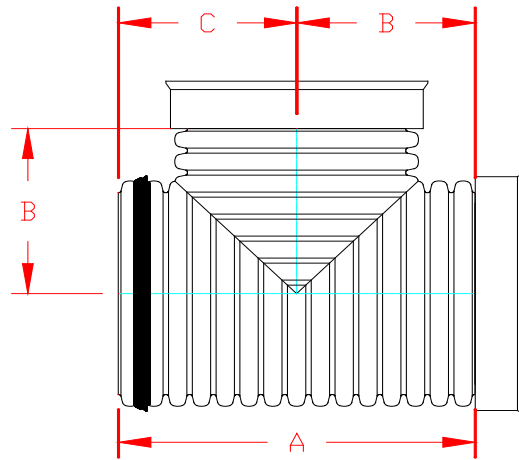


**HP STORM DUAL WALL FABRICATED "WATER TIGHT" "BELL END"
SINGLE MANIFOLD 12" - 18" & 24" DIAMETER**

PART #	PIPE SIZE	A	B	C
1251AN65BP	12 in (300 mm)	23.6 in (600 mm)	9.8 in (250 mm)	13.8 in (350 mm)
1551AN65BP	15 in (375 mm)	28.5 in (725 mm)	12.0 in (304 mm)	16.6 in (421 mm)
1851AN65BP	18 in (450 mm)	35.4 in (900 mm)	14.8 in (375 mm)	20.7 in (525 mm)
2451AN65BP	24 in (600 mm)	41.1 in (1043 mm)	17.4 in (441 mm)	23.7 in (602 mm)



BELL END GASKET NOT INCLUDED WITH FITTING PLEASE ORDER SEPARATELY.

NOTE: ALL FITTINGS DIMENSIONS ARE FOR REFERENCE ONLY



DRAWING #:	13175
DRAWN BY:	TJR 10/13/2016
APPROVED BY:	
REVISIONS:	